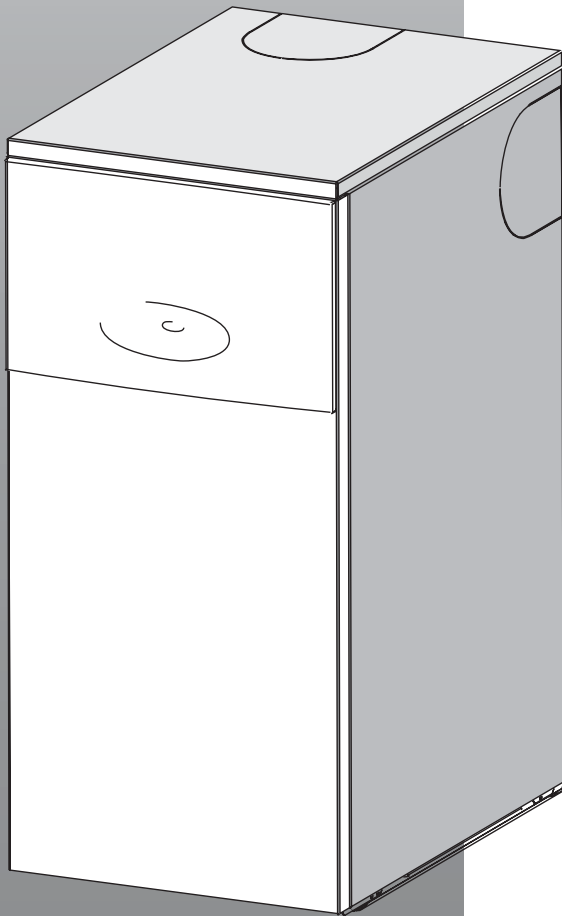


Installation, Commissioning and Servicing Instructions

Floor standing RSF gas fired condensing regular boiler

Greenstar FS 30CDi^{ErP} & 42CDi^{ErP} Regular

For sealed or open vent central heating systems



6720648568-00.1W6

The appliances are for use with:
Natural Gas or L.P.G. (Cat. II 2H3P type C13, C33, C53 & C93)

Natural Gas:
FS 30CDi^{ErP} Regular, GC number 41-406-62
FS 42CDi^{ErP} Regular, GC number 41-406-64

L.P.G.:
FS 30CDi^{ErP} Regular, GC number 41-406-63
FS 42CDi^{ErP} Regular, GC number 41-406-65


Contents

1	KEY TO SYMBOLS AND SAFETY PRECAUTIONS	3	6	SERVICING AND SPARES	29
1.1	Key to symbols	3	6.1	Inspection and service	29
1.2	Safety precautions	4	6.2	Service function	30
2	APPLIANCE INFORMATION	5	6.3	Service inspection	30
2.1	General information	5	6.4	Fan pressure test	30
2.2	Technical data	6	6.5	Checking the flue integrity	31
2.3	Product data on energy consumption	7	6.6	Flue gas analysis	31
2.4	Layout and components	8	6.7	Heat exchanger	31
3	PRE-INSTALLATION	10	6.7.1	To clean the burner	31
3.1	Cleaning primary systems	10	6.7.2	To check the flap valve in the fan intake	31
3.2	Mains supply	10	6.7.3	To clean the condensate trap	32
3.2.1	Electrical supply	10	6.7.4	Cleaning the heat exchanger	32
3.2.2	Gas supply	10	6.7.5	Re-assembly of the burner cover	34
3.3	Water systems and pipe work	11	6.8	Setting the air/gas ratio	34
3.4	Condensate pipe work	12	6.9	Replacement parts	35
3.4.1	Internal connections	12	6.9.1	Draining the appliance:	35
3.4.2	External connections	12	6.9.2	PCB control board	35
3.5	Boiler location and clearances	14	6.9.3	Fan assembly:	36
3.5.1	Boiler clearances	14	6.9.4	Condensate pump:	36
3.5.2	Airing cupboard clearances	14	6.9.5	Sample points:	36
3.5.3	Vented compartments	14	6.9.6	Sensors:	36
3.5.4	Rooms containing a bath or shower	15	6.9.7	Condensate trap:	37
3.6	Flue options	15	6.9.8	Gas valve:	37
3.7	Flue terminal positions	17	6.9.9	Electrode assembly and heatshield:	37
3.8	Plume management terminal positions	18	6.9.10	Burner	38
4	INSTALLATION	19	6.9.11	Primary heat exchanger:	38
4.1	Unpacking the boiler	19	6.10	Short parts list	38
4.2	Mounting frame fixing and flue opening	20	7	FAULT FINDING AND DIAGRAMS	39
4.3	Flue measuring and cutting	21	7.1	Electrical wiring diagram	39
4.4	Condensate, gas and water connections	21	7.2	Boiler function	40
4.5	Electrical	23	7.3	Fault finding	41
4.5.1	PCB Connections	23			
5	COMMISSIONING	24			
5.1	Pre-commissioning checks	24			
5.2	Filling the system	24			
5.3	Water treatment	25			
5.4	Starting the appliance	25			
5.4.1	Switching the appliance on/off:	25			
5.4.2	Initialization	26			
5.4.3	Display messages	26			
5.5	Checking gas inlet pressure	27			
5.5.1	Measuring the inlet pressure	27			
5.5.2	Checking the gas rate	27			
5.6	CO and combustion check	28			
5.7	Finishing commissioning	29			

1 KEY TO SYMBOLS AND SAFETY PRECAUTIONS

1.1 Key to symbols

Warnings




Warnings in this document are identified by a warning triangle printed against a grey background. Keywords at the start of a warning indicate the type and seriousness of the ensuing risk if measures to prevent the risk are not taken.

The following keywords are defined and can be used in this document:

- **NOTICE** indicates a situation that could result in damage to property or equipment.
- **CAUTION** indicates a situation that could result in minor to medium injury.
- **WARNING** indicates a situation that could result in severe injury or death.
- **DANGER** indicates a situation that will result in severe injury or death.

Important information



This symbol indicates important information where there is no risk to people or property.

Additional symbols

Symbol	Explanation
▶	Step in an action sequence
→	Cross-reference to another part of the document
•	List entry
–	List entry (second level)

Table 1

SYMBOLS USED IN THIS MANUAL



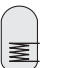



	Domestic Hot Water
	Central Heating
	Hot Water Storage Cylinder
	Domestic Cold Water Supply
	Electrical Supply
	Gas Supply

Table 2 Commonly used symbols

PLEASE READ THESE INSTRUCTIONS CAREFULLY BEFORE STARTING INSTALLATION.

These instructions are applicable to the Worcester appliance model(s) stated on the front cover of this manual only and must not be used with any other make or model of appliance.

These instructions apply in the UK and Ireland only and must be followed except for any statutory obligations.

This appliance must be installed by a competent registered gas engineer, such as a **Gas Safe** registered engineer or **British Gas** engineer. Failure to install correctly could lead to prosecution.

If you are in any doubt, contact the Worcester Technical help-line (0330 123 3366).

Please leave these instructions with the completed BENCHMARK CHECKLIST, (or a certificate confirming compliance with IS 813, Eire only) and the user manual with the owner or at the gas meter after installation or servicing.

Distance learning and training courses are available from Worcester.

The BENCHMARK CHECKLIST can be found in the back of this Installation manual.

∅	Diameter
NG	Natural Gas
LPG	Liquid Petroleum Gas
CH	Central Heating
DHW	Domestic Hot Water
DCW	Domestic Cold Water
PRV	Pressure Relief Valve
NTC	Negative Temperature Coefficient (sensor)
IP	Ingress Protection
RCD	Residual Current Device
TRV	Thermostatic Radiator Valve
ECV	Emergency Control Valve
WRAS	Water Regulations Advisory Scheme
SEDBUK	Seasonal Efficiency of Domestic Boilers in the UK
ErP	Energy related Products
DWTA	Domestic Water Treatment Association

Table 3 Abbreviations use in this manual

1.2 Safety precautions

Instructions for the target group

These installation instructions are intended for registered gas fitters, plumbers, heating engineers and electricians. All instructions must be observed. Failure to comply with these instructions may result in material damage and/or personal injury, including possible loss of life.

- ▶ Read these installation instructions before installation.
- ▶ Observe safety instructions and warnings.
- ▶ Observe national and regional regulations, technical rules and guidelines.
- ▶ Keep a record of all work carried out.

Determined use

The product is not intended for commercial use.

The product may only be used in a domestic situation for the heating of central heating water and for DHW heating in a closed-loop DHW and heating systems.

Any other use is considered inappropriate. Any damage that may result from misuse is excluded from liability.

If you smell gas

A gas leak could potentially cause an explosion. If you smell gas, observe the following rules:

- ▶ Prevent flames or sparks:
 - Do not smoke, use a lighter or strike matches.
 - Do not operate any electrical switches or unplug any equipment.
 - Do not use the telephone or ring doorbells.
- ▶ Turn off the gas at the meter or regulator.
- ▶ Open windows and doors.
- ▶ Warn your neighbours and leave the building.
- ▶ Prevent anyone from entering the building.
- ▶ Move well away from the building: call the National Gas Emergency Service on 0800 111 999.
- ▶ L.P.G. boilers: Call the supplier's number on the side of the gas tank.

Risk to life from poisoning by flue gas

There is a risk to life from escaping flue gas.

- ▶ Never modify any parts for the flue gas routing.
- ▶ Ensure that flue pipes and gaskets are not damaged.

Installation, commissioning and servicing

Installation, commissioning and servicing must only be carried out by a competent, registered gas engineer, such as a Gas Safe registered engineer or British Gas engineer.

- ▶ Carry out a gas tightness test after completing work on gas-carrying components.
- ▶ Only use original spares.

Electrical work

Electrical work must only be carried out by a qualified electrician:

- ▶ Before starting electrical work;
 - Ensure that the electricity supply is safely isolated and secured to prevent inadvertent re-connection.
Information on safe isolation can be found in the Health and Safety Executive guidance HSG85.
 - Using test equipment approved to GS38 confirm that the electricity supply is disconnected.
- ▶ Refer to the manufacturer's information when installing other components with Worcester equipment within the system.

Handover to the user

When handing over, instruct the user how to operate the heating system and inform the user about its operating conditions.

- ▶ Explain how to operate the heating system and draw the user's attention to any safety relevant action.

- ▶ Explain that modifications and repairs must only be performed by a competent, registered gas engineer, such as a Gas Safe registered engineer or British Gas engineer.
- ▶ Advise the user to have the system serviced annually by a competent, registered gas engineer, such as a Gas Safe registered engineer or British Gas engineer.
- ▶ Leave the installation instructions with the completed Benchmark Checklist (or a certificate confirming compliance with IS 813, Eire only) and the operating instructions with the user or at the gas meter.

Boiler operation

This appliance can be used by children aged from 8 years and above and persons with reduced physical, sensory or mental capabilities or lack of experience and knowledge, if they have been given supervision or instruction concerning use of the appliance in a safe way and understand the hazards involved. Children shall not play with the appliance. Cleaning and user maintenance shall not be made by children without supervision.

Servicing

Advise the user to have the system serviced annually by a competent, registered gas engineer, such as a Gas Safe registered engineer or British Gas engineer. Approved spares must be used to help maintain the economy, safety and reliability of the appliance.

Important

The service engineer must complete the Service Record on the Benchmark Checklist after each service.



Benchmark places responsibilities on both manufacturers and installers.

The purpose is to ensure that customers are provided with the

correct equipment for their needs, that it is installed, commissioned and serviced in accordance with the manufacturer's instructions by competent persons and that it meets the requirements of the appropriate Building Regulations. The Benchmark Checklist can be used to demonstrate compliance with Building Regulations and should be provided to the customer for future reference.

Installers are required to carry out installation, commissioning and servicing work in accordance with the Benchmark Code of Practice which is available from the Heating and Hot water Industry Council who manage and promote the scheme.

Visit centralheating.co.uk for more information.

Health and safety

The appliance contains no asbestos and no substances have been used in the construction process that contravene the COSHH Regulations (Control of Substances Hazardous to Health Regulations 1988).

Combustion and corrosive materials

Do not store or use any combustible materials (paper, thinners, paints etc.) inside or within the vicinity of the appliance.

Chemically aggressive substances can corrode the appliance and invalidate any warranty.

Fitting and modification

Fitting the appliance and any controls to the appliance may only be carried out by a competent engineer in accordance with the current Gas Safety (Installation and Use) Regulations.

Flue systems must not be modified in any way other than as described in the fitting instructions. Any misuse or unauthorised modifications to the appliance, flue or associated components and systems could invalidate the warranty. The manufacturer accepts no liability arising from any such actions, excluding statutory rights.

Installation regulations

Current Gas Safety (Installation and Use) Regulations:

All gas appliances must be installed by a competent, registered gas engineer, such as a Gas Safe registered engineer or British Gas engineer in accordance with the current regulations.

Failure to install appliances correctly could lead to prosecution.

The appliance must be installed in accordance with, and comply to, the current:

Gas Safety Regulations, IET Regulations, Building Regulations, Building Standards (Scotland) (Consolidation),

Building Regulations (Northern Ireland), local water by-laws,

Health and Safety Document 635 (The Electricity at Work Regulations 1989) and any other local requirements.

EU Regulations No. 811/2013 - Energy Labelling.

British Standards:

Where no specific instruction is given, reference should be made to the relevant British Standard codes of Practice.

- BS7074:1 Code of practice for domestic and hot water supply
- BS6891 Installation of low pressure gas pipe work up to 28mm (R1)
- BS5546 Installation of gas hot water supplies for domestic purposes
- EN12828 Central heating for domestic premises
- BS5440:1 Flues and ventilation for gas appliances of rated heating not exceeding 70kW (net): Flues
- BS5440:2 Flues and ventilation for gas appliances of rated heating not exceeding 70kW (net): Air Supply
- BS7593 Treatment of water in domestic hot water central heating systems
- BS6798 Installation of gas fired boilers of rated input up to 70kW (net)
- BS7671 IET Wiring Regulations

Irish Standards

The current relevant Irish standards should be followed, including:

- ECTI National rules for electrical installations
- IS 813 for Domestic Gas Installations.

LPG Installations

An appliance using LPG must not be installed in a room or internal space below ground level unless one side of the building is open to the ground.

Timber framed building:

Where the boiler is to be fitted to a timber framed building the guidelines laid down in BS5440: Part 1 and IGE "Gas Installations in Timber Frame Buildings" should be adhered to.

Potable water:

All seals, joints and compounds (including flux and solder) and components used as part of the secondary domestic water system must be approved by WRAS.

CH Water:

Artificially softened water must not be used to fill the central heating system.

2 APPLIANCE INFORMATION

2.1 General information

BOILER FEATURES AND CHECKLIST

- Pre-wired and pre-plumbed
- Galvanised steel inner frame
- Bosch Heatronic control system
- Automatic ignition
- Direct burner ignition electrodes
- Built-in frost protection
- Built-in fault finding diagnostics
- Modulating automatic gas valve
- Combustion air fan with speed regulator
- CH temperature sensor and control
- Flue gas temperature sensor
- Condensate trap and pump

CHECK LIST - LITERATURE PACK:	Qty.
Greenstar FS 30CDi & FS 42CDi Installation, Commissioning and Servicing Instructions	1
Users Instructions	1

CHECK LIST - HARDWARE PACK:	Qty.
Sealing Pack:	1
- Compression Nut 28mm	2
- Compression Ring 28mm	2
- Compression Nut 22mm	1
- Compression Ring 22mm	1
- Seal 1"	2
- Bonded Washer	1
Condensate hose clips	4
Condensate hose clip	1
Condensate outlet adapter	1
Sheet metal screw	1

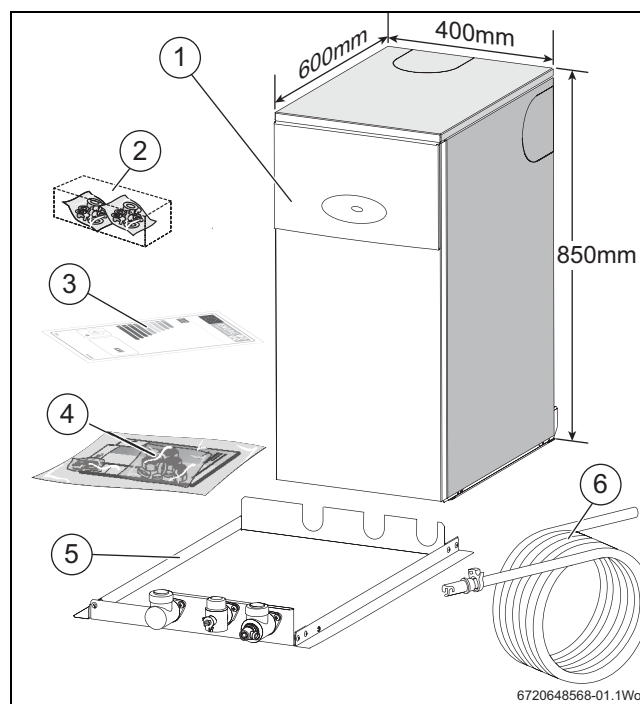


Fig. 1 Standard package

- [1] Floor standing gas fired regular boiler for hot water
- [2] Hardware pack
- [3] ErP energy label
- [4] Literature pack.
- [5] Mounting frame complete with pre-plumbing manifold assembly
- [6] Condensate waste pipe and non-return valve

2.2 Technical data

DESCRIPTION	UNITS	Natural Gas		L.P.G	
		FS 30CDi	FS 42CDi	FS 30CDi	FS 42CDi
Central Heating					
Max. rated heat output net 40/30°C	kW	32.1	43.7	32.1	43.7
Max. rated heat output net 50/30°C	kW	31.8	43.3	31.8	43.3
Max. rated heat output net 80/60°C	kW	30	40.8	30	40.8
Max. rated heat input net	kW	30.9	42	30.9	42
Min. rated heat output net 40/30°C	kW	8.6	10.8	11.6	13.5
Min. rated heat output net 50/30°C	kW	8.6	10.7	11.4	13.4
Min. rated heat output net 80/60°C	kW	7.7	9.6	10.5	12.0
Min. rated heat input net	kW	8	10	10.8	12.5
Max. flow temperature	°C	88	88	88	88
Max. permissible operating pressure	bar	2.65	2.65	2.65	2.65
Gas flow rate - Max. 10 minutes from lighting					
*The Gas Rate provided assumes the accepted Natural Gas averaged CV of 1040Btu/ft ³ = 38.76MJ/m ³					
*Natural gas (network gas)	m ³ /h	3.19	4.29	-	-
Test gas (G20) 1014Btu/ft ³ = 37.78MJ/m ³	m ³ /h	3.27	4.4	-	-
Propane Gas (LPG)	kg/h	-	-	2.3	3.3
Gas supply pressure					
Natural Gas G20	mb	20	20	-	-
LPG (Propane) Gas G31	mb	-	-	37	37
Flue					
Flue Gas Temp. 80/60°C, rated min. load	°C	67/55	67/55	67/55	67/55
Flue Gas Temp. 40/30°C, rated min. load	°C	43/32	43/32	43/32	43/32
CO ₂ level at max. rated heat output	%	9.4	9.4	10.8	10.8
CO ₂ level at min. rated heat output	%	8.6	9.0	10.4	10.4
NO _x - classification	class	5	5	5	5
Condensate					
Max. condensation rate	l/h	2.7	3.7	2.7	3.7
pH value, approx.		4.8	4.8	4.8	4.8
Electrical - Class 1 equipment (must be earthed)					
Electrical power supply voltage	AC...V	230	230	230	230
Frequency	Hz	50	50	50	50
Max. power consumption (without pump)	W	60	80	60	80
General Data					
SEDBUK (Band A) 2005	%	90.5	90.3	91.9	91.1
SEDBUK 2009	%	88.9	88.8	89.9	89.8
Appliance protection rating	IP	X4D	X4D	X4D	X4D
Permissible ambient temperatures	°C	0-50	0-50	0-50	0-50
Nominal capacity of appliance	ltr	3.75	3.75	3.75	3.75
Weight (excluding packaging)	kg	55.1	55.1	55.1	55.1

Table 4 Technical data

2.3 Product data on energy consumption

The following product data satisfy the requirements of the EU Regulations No. 811/2013, No. 812/2013, No. 813/2013 and No. 814/2013 supplementing Directive 2010/30/EU.

Product data	Symbol	Unit	7731600102	7731600103	7731600104	7731600105
Product type	–	–	30CDi Regular ^{ErP} NG	30CDi Regular ^{ErP} LPG	42CDi Regular ^{ErP} NG	42CDi Regular ^{ErP} LPG
Condensing boiler	–	–	Yes	Yes	Yes	Yes
Rated heat output	P_{rated}	kW	30	30	41	41
Seasonal space heating energy efficiency	η_s	%	92	92	92	92
Energy efficiency class	–	–	A	A	A	A
Useful heat output						
At rated heat output and high temperature regime ¹⁾	P_4	kW	30.0	30.0	40.8	40.8
At 30 % of rated heat output and low temperature regime ²⁾	P_1	kW	10.0	10.0	13.6	13.6
Useful efficiency						
At rated heat output and high temperature regime ¹⁾	η_4	%	88.5	88.5	88.1	88.1
At 30% of rated heat output and low temperature regime ²⁾	η_1	%	97.1	97.1	97.0	97.0
Auxiliary electricity consumption						
At full load	$e_{l_{\text{max}}}$	kW	0.042	0.042	0.073	0.073
At part load	$e_{l_{\text{min}}}$	kW	0.017	0.017	0.016	0.016
In standby mode	P_{SB}	kW	0.004	0.004	0.004	0.004
Other items						
Standby heat loss	P_{stby}	kW	0.053	0.053	0.053	0.053
Ignition burner power consumption	P_{ign}	kW	0	0	0	0
Emissions of nitrogen oxides	NOx	mg/kWh	23	23	57	57
Sound power level, indoors	L_{WA}	dB(A)	53	53	54	54

Table 5 Product data for energy consumption

- 1) High-temperature regime means 60 °C return temperature at heater inlet and 80 °C flow temperature at heater outlet.
- 2) Low temperature means for condensing boilers 30 °C, for low-temperature boilers 37 °C and for other heaters 50 °C return temperature (at heater inlet).

2.4 Layout and components

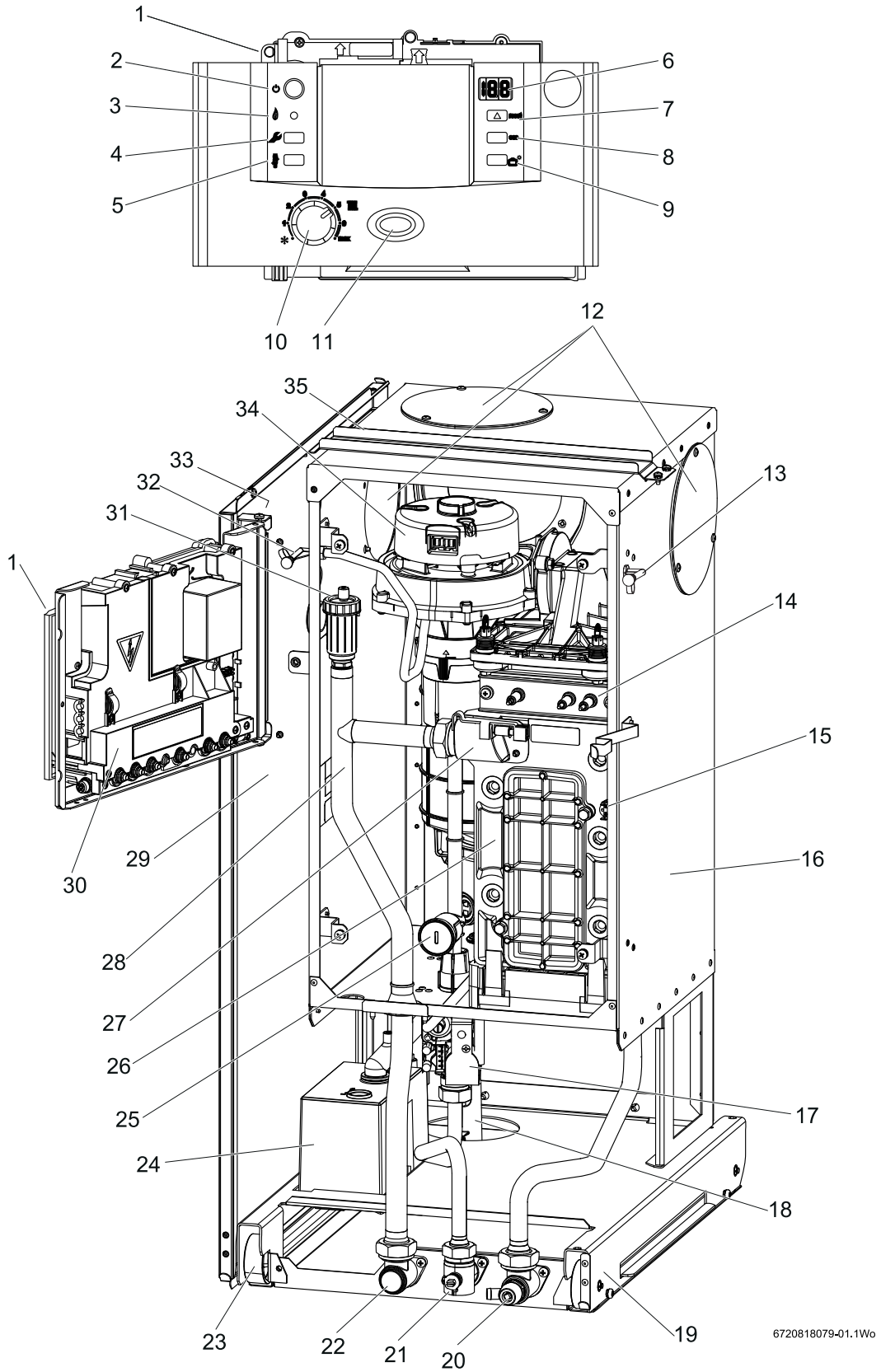


Fig. 2 Layout and components

No.	Item
1	Control panel
2	Master switch for ON/OFF
3	Burner ON indicator light (green)
4	Service Menu button
5	Service engineer button
6	Display
7	Reset button
8	Not used
9	Not used
10	Temperature control
11	230V Mains ON/OFF indicator & fault diagnostic light (blue)
12	Blanking covers - flue outlets
13	Air sample point
14	Burner ignition electrodes
15	Heat cell high limit thermostat
16	Inner casing
17	Gas valve
18	Condensate trap
19	Mounting frame
20	Return connection
21	Gas isolation valve
22	Flow connection
23	Runner wheel
24	Condensate pump assembly
25	Air/gas adjustment screw (sealed)
26	Heat cell
27	Thermistor
28	Flow pipe
29	Case side panel left hand
30	Connections cover
31	Auto-air vent
32	Flue gas sample point
33	Data label
34	Combustion air modulating fan
35	Casing support strut

Table 6

3 PRE-INSTALLATION

3.1 Cleaning primary systems



NOTICE: Before installation

- ▶ All the following Pre-Installation sections must be read and requirements met before starting boiler or flue installations.



CAUTION: 230V MAINS POWER

- ▶ ISOLATE THE 230V MAINS SUPPLIES BEFORE STARTING ANY WORK AND OBSERVE ALL RELEVANT SAFETY PRECAUTIONS.



NOTICE: Protect the boiler

- ▶ Debris from the system can damage the boiler and reduce efficiency. Failure to comply with the guidelines for the use of water treatment with the appliance will invalidate the appliance warranty.
- ▶ It is recommended that a primary water filter is fitted to the system. Worcester offers two filters that help remove both magnetite and non-magnetic debris; 22mm version, part number 7 733 600 236 and a 28mm version, part number 7 733 600 237.

BEFORE CLEANING THE SYSTEM:

- ▶ **Ensure that the system and pipe work is in good working order.**
- ▶ **Where possible keep the existing boiler/circulating pump in place when flushing the system.**
- ▶ **FOLLOW THE GUIDANCE OF BS7593:** "Treatment of water in domestic hot water central heating"
- ▶ Follow "Flushing the system" guidance given below



NOTICE: ARTIFICIALLY SOFTENED WATER

- ▶ Artificially softened water **MUST NOT** be used to fill the system

FLUSHING THE SYSTEM

- ▶ Fill the system with cold water and check for leaks.
- ▶ Open all drain cocks and drain the system.
- ▶ Close drain cocks and add a suitable flushing agent **compatible with aluminium** at the correct strength for the system conditions in accordance with the manufacturer's instructions.
The pH value of the system water must be less than 8 or the appliance guarantee will be invalidated.
- ▶ Circulate the flushing agent before the boiler is fired up.
- ▶ Run the boiler/system at normal operating temperature as directed by the manufacturer of the flushing agent.
- ▶ Drain and thoroughly flush the system to remove the flushing agent and debris.
- ▶ It may be necessary to use a power flushing machine to aid the cleansing procedure in some circumstances.
- ▶ Close the drain cocks and refill with fresh water and a suitable inhibitor.
- ▶ Vent any air from the boiler and system.

INHIBITOR

Add a suitable inhibitor or combined inhibitor/anti-freeze, if the system is exposed to freezing conditions, to the heating system in accordance with the DWTa code of practice and manufacturer's guidelines.

Products approved to the BuildCert standard are deemed as compatible with the components and equipment within the boiler and system.



WARNING: Sealing agents

- ▶ The addition of sealing agents to the system water is not permitted as this can cause problems with deposits left in the heat exchanger.
- ▶ In cases where all attempts to find a micro leak have failed, Worcester, Bosch Group supports the use of Fernox F4 leak sealer.

Water treatment

Suitable water treatment products are available from the following manufacturers:

ADEY	01242 546717 www.adey.com
FERNOX	0870 601 5000 www.fernox.com
SENTINEL	0800 389 4670 www.sentinel-solutions.net

Artificially softened water

It is possible to have an ion exchange water softener fitted to the cold water system of the property. However, the boiler requires an untreated cold water connection taken from the mains supply, before the water softener, to the primary water filling point of the heating system.

Alternatively there are water softening/treatment devices that do not adjust or alter the pH levels of the water. With these devices it may not be necessary to provide an untreated water by-pass to the primary water filling point of the heat system.

3.2 Mains supply

3.2.1 Electrical supply

- Supply: 230V - 50 Hz.
- Cable: PVC insulated 0.75 mm² (24 x 0.2mmØ) temperature rated to 90°C. to BS EN50525.
- External 3A fuse to BS1362.
- The appliance must be earthed.
- This appliance must not be connected to a three phase supply.
- IPX4D.
- The wiring between the appliance and the electrical supply must comply with the latest IET wiring regulations that apply to wiring a fixed appliance
- Any system connected to the appliance must not have a separate electrical supply.

3.2.2 Gas supply

- Boilers using Natural Gas (NG) must be connected to a governed meter.
- Liquid Petroleum Gas (LPG) must be connected to a regulator.
- Installation and connection of the gas supply to the boiler must be in accordance with BS6891.
- Under no circumstance should the size of the gas supply pipe be less than 22mm.
- The meter or regulator and pipe work to the meter or regulator must be checked, preferably by the gas supplier. This is to ensure that the equipment is in good working order and can meet the gas flow and pressure requirements, in addition to the demand from any other appliance being served.

3.3 Water systems and pipe work

PRIMARY SYSTEM PLASTIC PIPEWORK:

- Any plastic pipe work must have a polymeric barrier with 600mm (minimum) length of copper connected to the boiler.
- Plastic pipe work used for under floor heating must be correctly controlled with a thermostatic blending valve limiting the temperature of the circuits to approximately 50°C. The pipe work from the boiler to the blending valve must be in copper.

PRIMARY SYSTEM/CONNECTIONS/VALVES:

- **Do not use galvanised pipes or radiators.**
- All system connections, taps and mixing valves must be capable of sustaining a pressure of 3 bar.
- Radiator valves should conform to BS2767:10.
- All other valves should conform to BS1010.
- On new installations a TRV should be used on all radiators except the radiator where the room thermostat is sited, this must be fitted with lock-shield valves and left open.
- All installations should have a TRV fitted to radiators within the sleeping accommodation.
- Drain cocks are required at all the lowest points on the system.
- Air vents are required at all high points on the system.

FILLING PRIMARY SEALED SYSTEMS:

- Filling the primary system must comply with one of the methods shown.
- The filling point must be at low level and must never be a permanent direct fixing to the mains water supply.
- Filling loops must be WRAS approved.

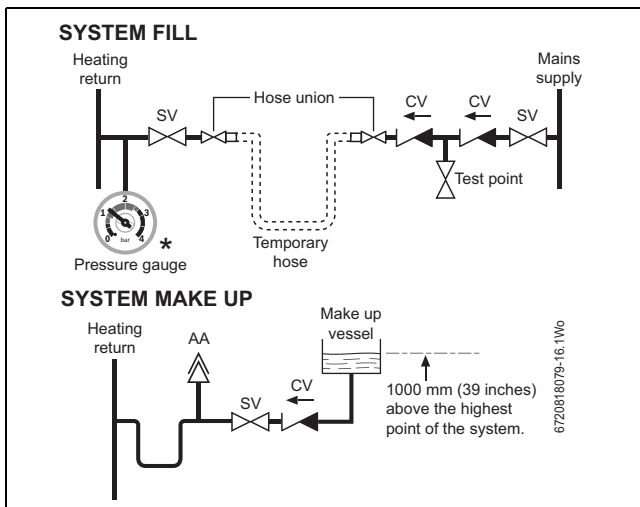


Fig. 3 System fill

- [CV] Check Valve
- [SV] Stop valve
- [AA] Auto Air vent
- [*] Pressure gauge - If the external filling link is sited away from the boiler, or the boiler does not have a pressure gauge, then a pressure gauge should be installed at the filling point

SYSTEM Layout:

Key to system layout illustrations	
1	Boiler
2	Heating vent (min. Ø22mm)
3	Primary cold feed and expansion pipe (min. Ø15mm)
4	Diverter valve
5	Pump
6	Automatic by-pass
7	Radiator valve (flow)
8	Lockshield valve (return)
9	Expansion vessel
10	Pressure gauge
11	Relief valve
12	Stop valve
13	Static head
14	Feed and expansion cistern

Table 7 Key to figures 4, 5 and 6

S & Y PLAN OPEN VENT PRIMARY SYSTEM

Generally a by-pass is not necessary on a Y plan system as one of the ports is open to flow.

- The feed and expansion cistern [14] must be positioned to provide a static head [13] of at least 250mm above the highest point in the heating system.
- The heating vent [2] and cold feed [3] pipes must rise continuously from the appliance.
- The heating vent pipe [2] must be at least Ø22mm.
- No valve shall be fitted in the heating vent pipe [2] or cold feed [3].

S PLAN LAYOUT

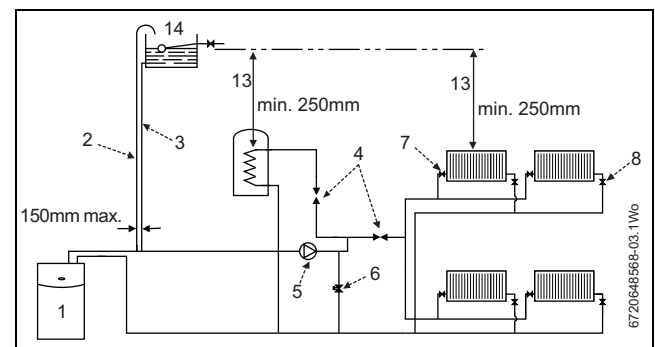


Fig. 4 Open vent S Plan configuration

Y PLAN LAYOUT

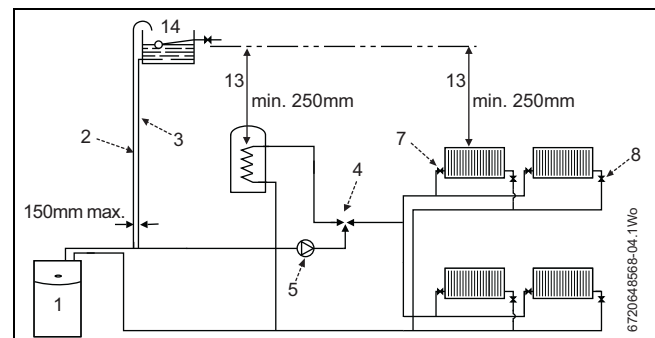


Fig. 5 Open vent Y Plan configuration

FULLY PUMPED SEALED PRIMARY SYSTEM:

- A pressure relief valve [11] (spring loaded safety valve set to operate at 3 bar) must be fitted to the heating return pipe as close as possible to the boiler.
- An expansion vessel [9] must be fitted to the heating return pipe close to the boiler and pressurised for the system volume according to the instructions supplied with the vessel.
- A pressure gauge [10] (3 bar min.) must be fitted to the heating return pipe.
- An automatic air vent must be fitted.
- Stop valve [12] must be a fixed cylinder type or sealed systems approved connection.

SEALED SYSTEM LAYOUT

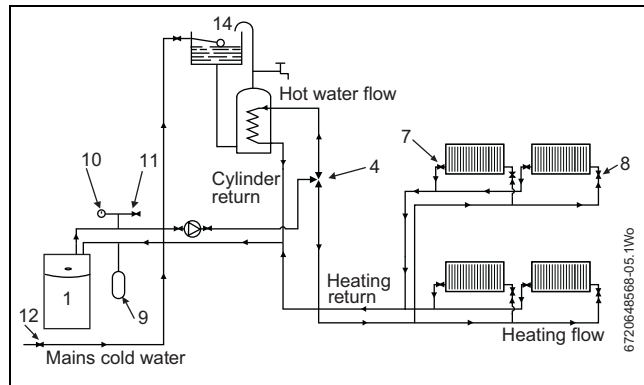


Fig. 6 Sealed system example configuration

3.4 Condensate pipe work

NOTICE:

- ▶ Where a new or replacement boiler is being installed, access to an internal "gravity discharge" point should be one of the factors considered in determining boiler location.
- ▶ The condensate pipe must be nominally 22mm Ø plastic pipe.
- ▶ The condensate pipe work must fall at least 52mm per metre towards the outlet and should take the shortest practicable route.
- ▶ Ensure there are no blockages in the pipe run.

3.4.1 Internal connections

In order to minimise risk of freezing during prolonged cold spells, the following methods of installing condensate drainage pipe should be adopted, in order of priority.

Wherever possible, the condensate drainage pipe should be routed and terminated so that the condensate drains away from the boiler under gravity. A suitable internal foul water discharge point such as an internal soil and vent stack. A suitable permanent connection to the foul waste pipe should be used.

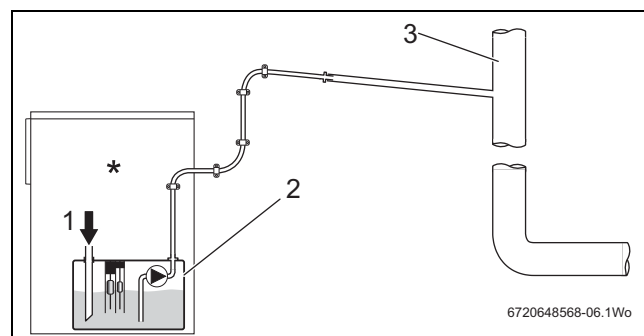


Fig. 7 Disposal to soil vent stack

Alternatively if the first option is not possible an internal kitchen or bathroom waste pipe, washing machine waste pipe etc. can be used. Ensure that the condensate drain pipe is connected "down stream" of the waste trap.

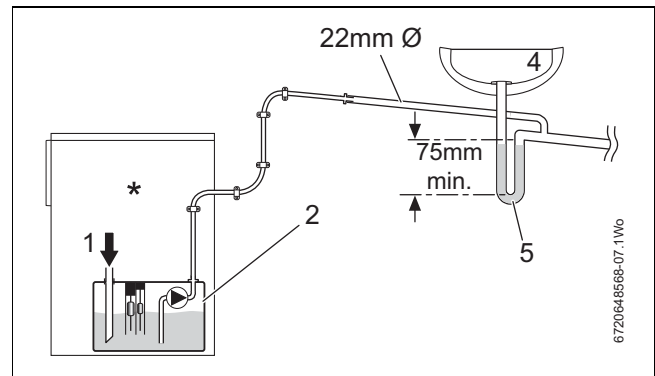


Fig. 8 Disposal to a waste pipe

Key to condensate illustrations	
1	Condensate discharge from boiler
2	Condensate pump within boiler
3	Soil and vent stack
4	Sink or basin with integrated overflow
5	75mm sink waste trap
*	Condensate trap of 75mm already incorporated into the boiler

3.4.2 External connections

NOTICE: Freezing conditions

- ▶ Pipe work length should be kept to a minimum and the route as vertical as possible.
- ▶ Weather proof insulation must be used.

NOTICE: Condensate waste

- ▶ Care should be taken when siting a soak-away to avoid obstructing existing services.

If no other discharge method is possible then the use of an externally run condensate drainage pipe terminating at a suitable foul water discharge point, or purpose-designed soak away, may be considered. If this method is chosen then the following measures should be adopted:

- ▶ The external run be kept as short as possible and not exceed three metres.
- ▶ The pipe should be run internally as far as possible before going externally and the pipe diameter should be increased to 32mm before it passes through the wall to the exterior. The pipe should be insulated using suitable waterproof and weather resistant insulation.
- ▶ The external pipe should take the shortest and least exposed route to the discharge point, and should "fall" as steeply as possible away from the boiler, with no horizontal runs in which condensate might stand.
- ▶ The use of fittings, elbows etc. should be kept to a minimum and any internal "burrs" on cut pipe work should be removed so that the internal pipe section is as smooth as possible.

FITTING AN EXTERNAL AIR BREAK

- Refer to figure 9 when a rain water down pipe is used to dispose of condensate.

NOTICE: Appliance damage

▶ An air break must be installed in the 43mm pipe work, between the boiler condensate outlet and the drainpipe, outside the property, to avoid appliance damage should the down pipe become blocked.

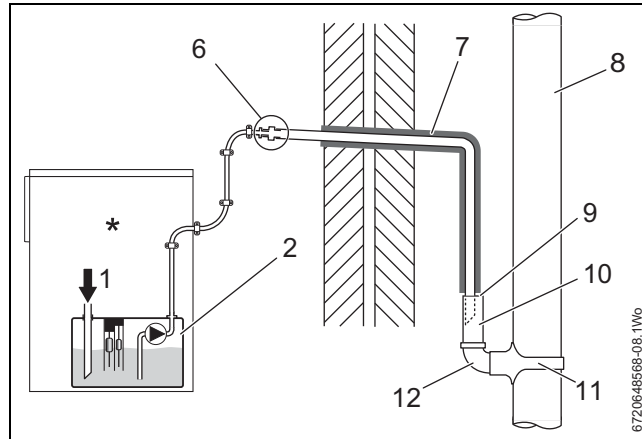


Fig. 9 Disposal into a rainwater down pipe

i Condensate drainage pipe can be run above or below ground.

Where the pipe terminates over an open drain or gully, the pipe should terminate below the grating level, but above water level, in order to minimise "wind chill" at the open end.

The use of a drain cover (such as those used to prevent blockage by leaves) may offer further protection from wind chill.

Pipe drainage will be improved if the end is cut at 45° as opposed to a straight cut.

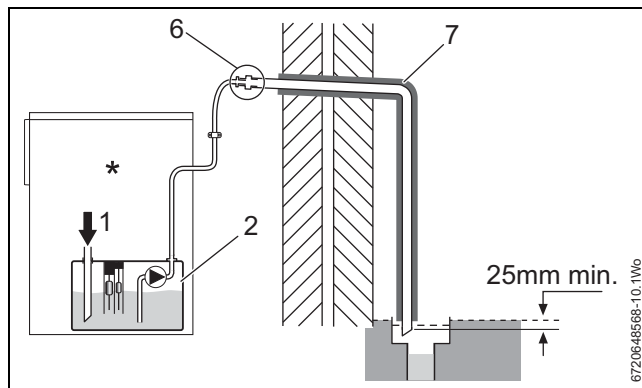


Fig. 10 External disposal

Continued - Key to condensate illustrations	
6	Pipe work transition
7	Insulate and increase pipe size
8	External rain water pipe into foul water
9	External air break
10	Air gap
11	PVCu strap-on fitting
12	43mm 90° male/female bend
13	100mm Ø minimum plastic pipe
14	Drainage holes
15	Limestone chippings
16	Bottom of sealed tube
*	Condensate trap of 75mm already incorporated into the boiler

CONDENSATE SOAK AWAY

- The condensate drainage pipe may be run above or below the ground to the soak away. The examples shown on this page run above ground.
- The soak away must use a 100mm Ø plastic tube with two rows of three 12mm holes on 25mm centres and 50mm from the bottom of the tube. The holes must face away from the house.
- The tube must be filled with and surrounded by at least 100mm of limestone chippings to a minimum depth of 400mm.

i Minimum hole size for the condensate soak away must be 400mm deep by 300mmØ.

In situations where there are likely to be extremes of temperature or exposure, the use of a proprietary trace-heating system for external pipe work, incorporating an external frost thermostat, should be considered. If such a system is used, the requirement to use 32mm pipe does not apply. However, all other guidance above and the instructions for the trace heating system, should be closely followed.

NOTICE: Unheated internal areas.

▶ Internal pipe runs in unheated areas such as lofts, basements and garages should be treated as external runs.

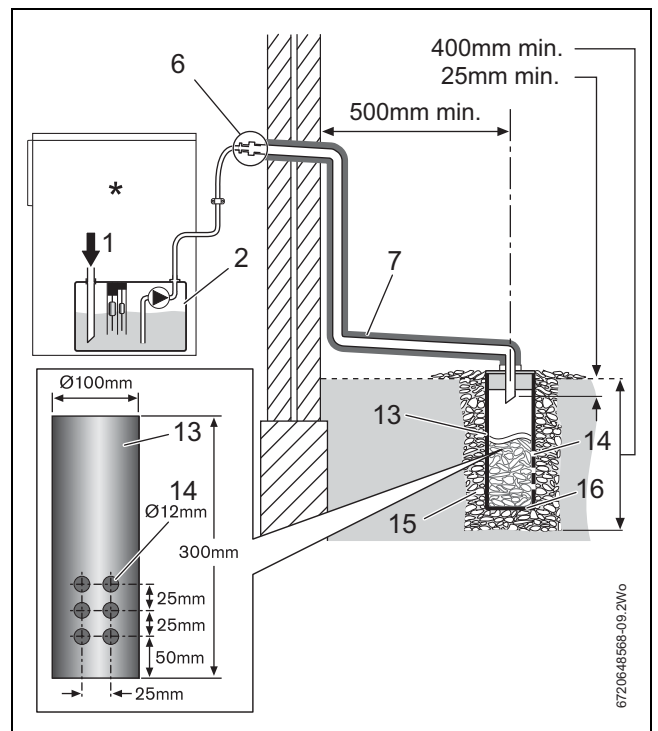


Fig. 11 Soak away

3.5 Boiler location and clearances

- This is a floor-standing boiler and is only suitable for installing on the floor, internally in a property.
- Install onto a rigid non-combustible surface at least the same size as the boiler and capable of supporting the boiler weight.
- The boiler is not suitable for external installation unless a suitable enclosure is provided.

Compartments

Follow the requirements of BS6798 and BS5440 Part 2 and note:

- Minimum clearances must be maintained.
- An access door is required to install, service and maintain the boiler and any ancillary equipment.
- If fitting the boiler into an airing cupboard use a non-combustible material to separate the boiler from the airing space, that can be perforated with holes up to 13mm.

3.5.1 Boiler clearances

There are several clearances to be considered when either installing or servicing a boiler in an unventilated or ventilated compartment.

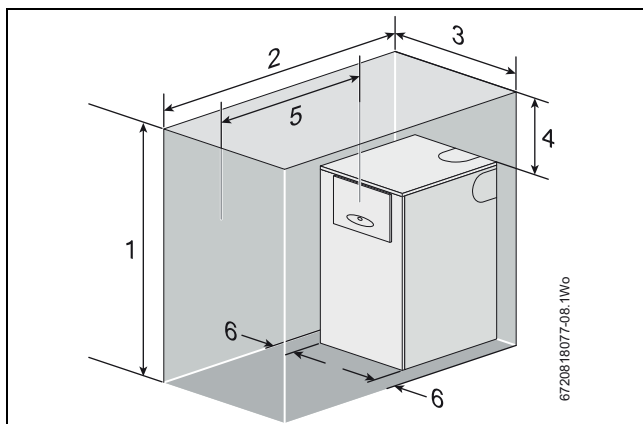


Fig. 12 Boiler clearances

item	Minimum distance requirements for compartments
1	Overall height of compartment
2	Overall depth of compartment
3	Overall width of compartment
4	Height above the boiler to top of compartment
5	Depth to front of boiler (or shelf)
6	Gap between sides of boiler and compartment
7	Gap between shelf and back of compartment

Clearances

Refer to figure 12 and the table below for the minimum clearances .

item	Compartment clearances (mm)		
	Installation	Servicing	Unventilated
1	1450	865	900
2	1200	1200	800
3	410	410	600
4	600	15	50
5	600	600 ¹⁾	200 ²⁾
6	5	5	100 ³⁾

- 1) Can be reduced to 25mm to a removable door or panel
- 2) Space required with removable door or panel
- 3) Can be reduced to 50mm on one side but maintaining the overall 200mm minimum

3.5.2 Airing cupboard clearances

The dimensions below show the minimum space required to install and service the boiler within an airing cupboard.

If a compartment is built around the boiler after installation, then the compartment must be separated from the boiler space by a non-combustible partition as described in BS 6798.

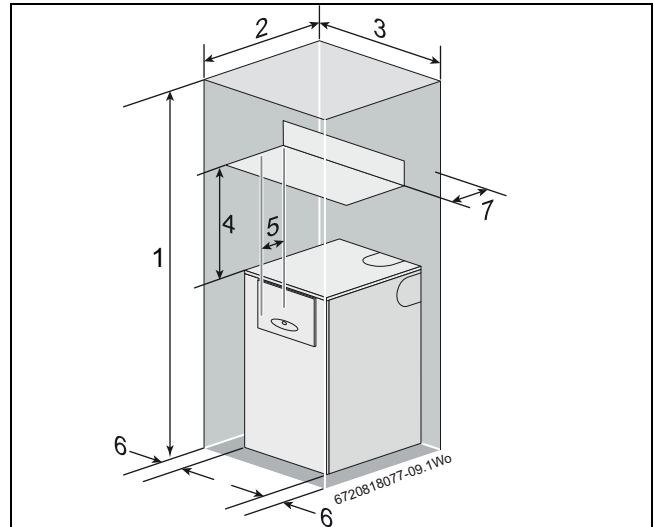


Fig. 13 Airing cupboard clearances

item	Minimum clearances (mm)
1	2300
2	625
3	600
4	200
5	25 ¹⁾
6	100
7	100

- 1) From the front of the boiler and the front of the shelf

3.5.3 Vented compartments

If the clearances available are less than those stated for an unventilated compartment or an airing cupboard then ventilation must be provided as described in BS 5440.

A minimum of two air vents of equal size must be fitted, one at low level and another at high level on the same wall using the same air for circulation.

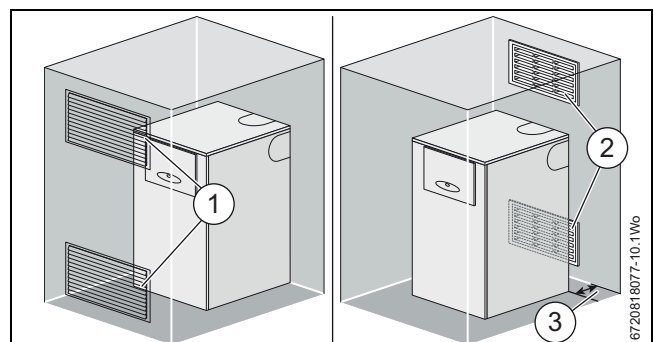


Fig. 14 Venting compartments

item	Boiler	Air source	Minimum area of vent
1	30CDi ^{ErP} 42CDi ^{ErP}	Internal room or space	310cm ²
			433cm ²
2	30CDi ^{ErP} 42CDi ^{ErP}	Outside	155cm ²
			217cm ²
3	All	100mm space between the boiler and vent	

3.5.4 Rooms containing a bath or shower

NOTICE: Any switch or appliance control using mains electricity must not be within reach of a person using the bath or shower.

An appliance fitted with a mechanical, RF mechanical timer, or a clip-in weather compensating controller may only be installed outside the shaded area.

An appliance fitted with a blanking panel or a timer/programmer conforming to IP4XD can be installed in zone 2.

An appliance and programmer combination conforming to less than IP4XD can only be installed outside the shaded area.

BS7671 Amendment 3:2015 requires a 30mA RCD (Residual Current Device) for installations within this location as well as for any circuits passing through zone 1 and/or 2 not serving this location.

If the appliance is installed into a cupboard that opens into zone 1 or 2 it is strongly recommended that a 30mA RCD is fitted to the circuit supplying the boiler.

Refer to the latest IET wiring regulations.

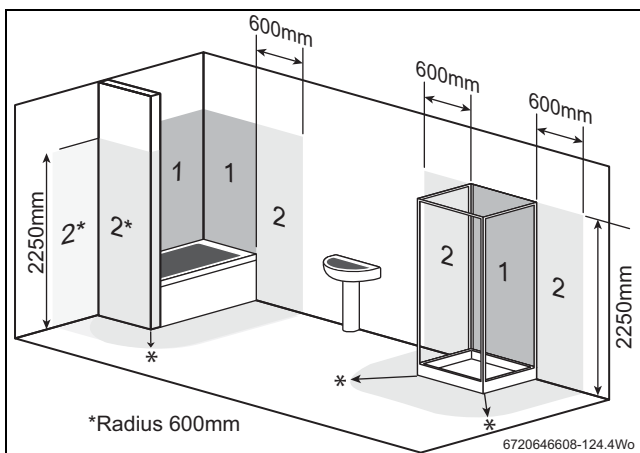


Fig. 15 Bathroom installations

[2*] Without the end wall, zone 2 must extend 600mm from the bath

3.6 Flue options

CAUTION: Non accessible flue systems:

- ▶ Where a flue system is not going to be accessible, provision must be made for service and inspection.
- ▶ Voids containing concealed flues must have at least one inspection hatch no less than 300mm square.
- ▶ Flue joints within the void must not be more than 1.5 metres from the edge of the inspection hatch.
- ▶ Inspection hatches should be located at changes of direction.
- ▶ If this is not possible, bends should be viewable from both directions.

NOTICE: Effective flue lengths of bends:

Each bend used has an equivalent straight flue length

- ▶ refer to the table below

Bend	Effective flue length	
	60/100	80/125
45°	0.75m	1m
90°	1.5m	2m

i Plume management kits are available for the 60/100 horizontal flue system, Part number 7 716 191 086. Refer to the manual supplied with the Plume Management kits for complete installation instructions



FS CDi boilers	Maximum total flue length L (mm)	
	60/100	80/125
1 Telescopic horizontal flue assembly	140 ¹⁾ - 530	350 - 1,200
2 Horizontal flue extension	4,000	13,000
3 Horizontal flue with 1 x 90° bend	2,000	11,000
4 Horizontal flue with 2 x 90° bends	N/A	9,000
5 High level horizontal flue	2,000	11,000
6 High level horizontal flue with 2 x 90° bends	N/A	9,000
7 High level horizontal flue with 3 x 90° bends	N/A	7,000
8 Vertical flue assembly	6,400	15,000
9 Vertical flue with 2 x 90° bends	2,400	11,000
10 Vertical flue with 2 x 45° bends	4,400	13,000

Table 8 Flue options

1) Flue is cut to a minimum of 130mm, flue connector adds the additional 10mm.

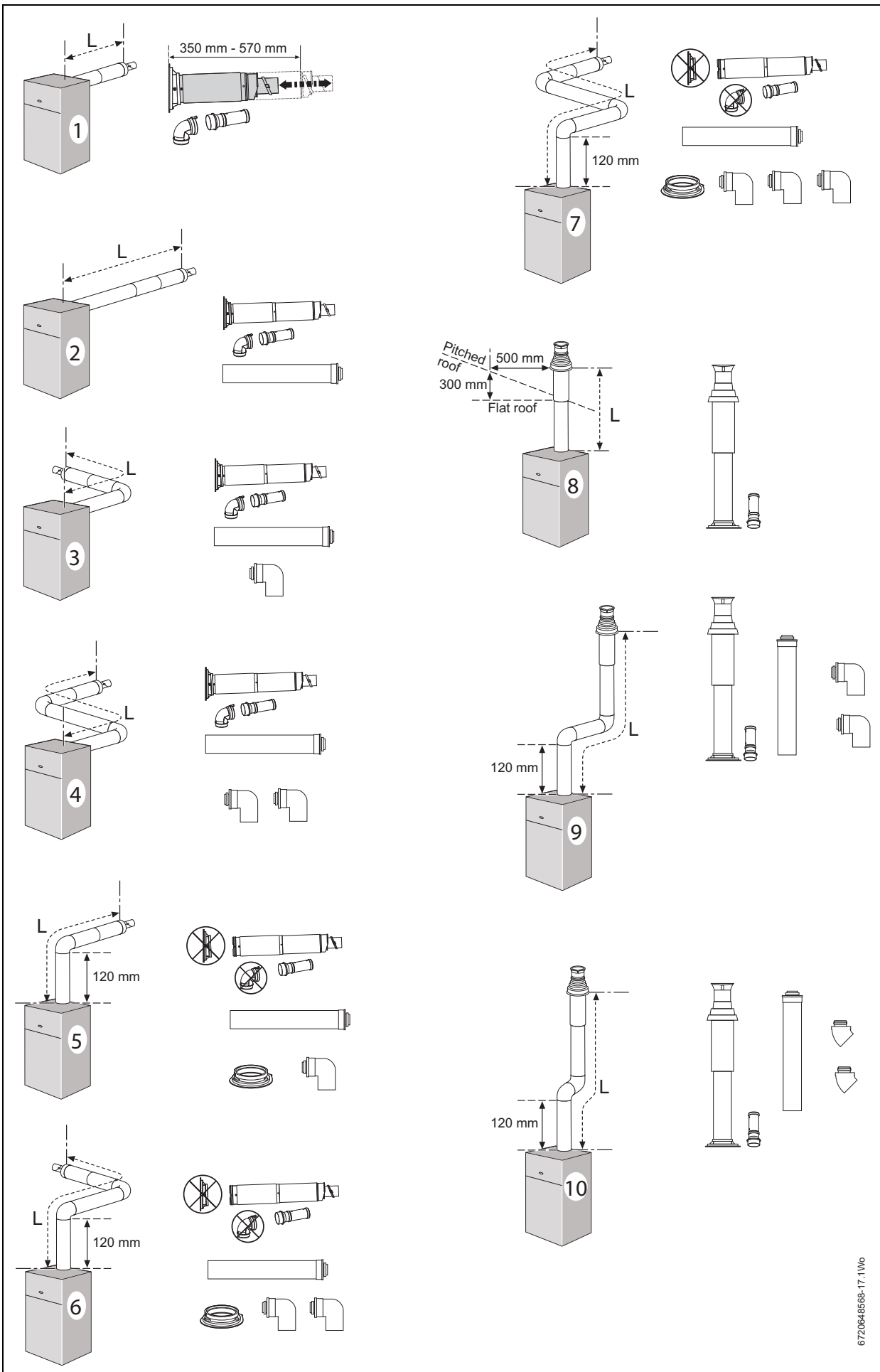
The flue systems have different maximum flue lengths.

The next page shows various flue options.

Refer to the flue options in table 8 for the straight flue lengths required to achieve the maximum flue length.

Part number	Flue	Description
7 716 191 155	60/100	Telescopic horizontal flue assembly
7 716 191 157	80/125	Telescopic horizontal flue assembly
7 716 191 156	60/100	Vertical flue assembly
7 716 191 158	80/125	Vertical flue assembly

Table 9 Flue options



6720648568-17-1Wo

3.7 Flue terminal positions

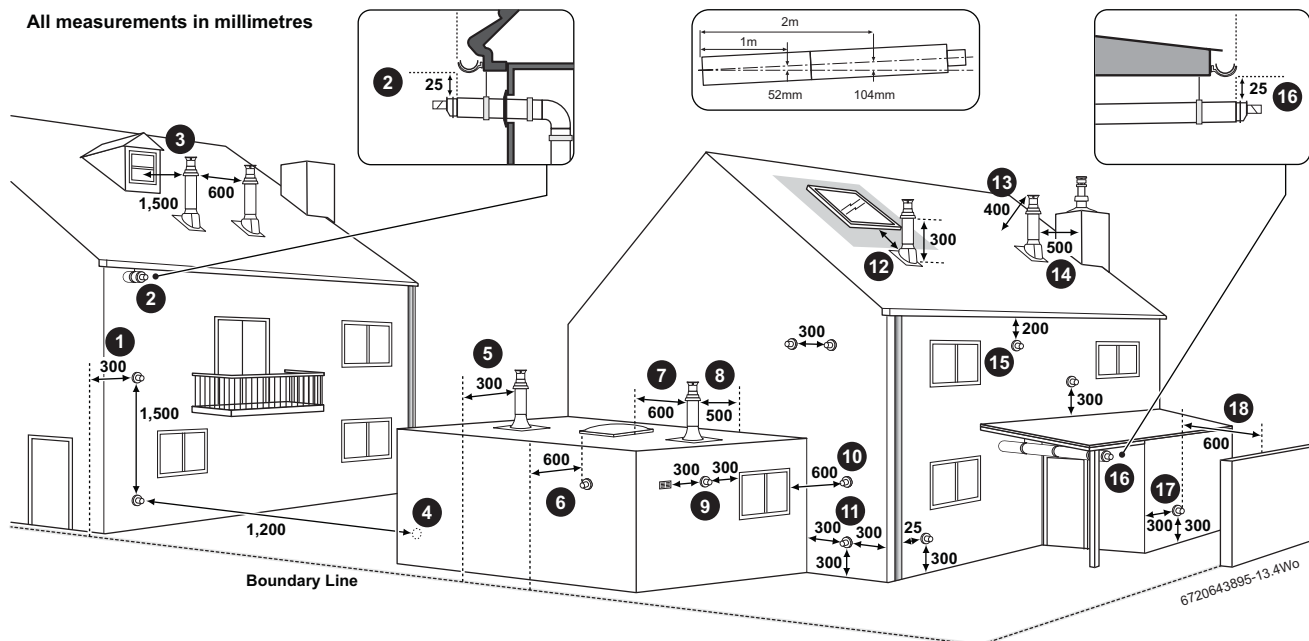


Fig. 16 Flue terminal positions

NOTICE:

- ▶ All measurements are the minimum clearances required.
- ▶ Terminals must be positioned so to avoid combustion products entering the building.
- ▶ Support the flue at approximately one metre intervals and at a change of direction, use suitable brackets and fittings:
 - flue brackets 100mm x 1 - part number: 7 716 191 177
 - flue bracket 100mm x 6 - part number: 7 716 191 178
 - flue bracket 125mm x 1 - part number: 7 716 191 179

Key to illustration

1. 300mm adjacent to a boundary line.
2. The dimension below eaves, gutters, pipes and drains can be reduced to 25mm, as long as the flue terminal is extended to clear any overhang. External flue joints must be sealed with suitable silicon sealant.
3. 1,500mm between a vertical flue terminal and a window or dormer window.
4. 1,200mm between terminals facing each other.
5. Vertical flue clearance, 300mm adjacent to a boundary line unless it will cause a nuisance. BS 5440:Part 1 recommends that care is taken when siting terminal in relation to boundary lines
6. 600mm distance to a boundary line, unless it will cause a nuisance. BS 5440:Part 1 recommends that care is taken when siting terminal in relation to boundary lines.
7. 600mm minimum clearance from a skylight to a vertical flue.
8. Vertical flue clearance, 500mm to non-combustible building material, and 1,500mm clearance to combustible building material.
9. 300mm above, below and either side of an opening door, air vent or opening window.
10. 600mm diagonally to an opening door, air vent or opening window.
11. 300mm to an internal or external corner.
12. 2,000mm below a Velux window, 600mm above or to either side of the Velux window.
13. 400mm from a pitched roof or 500mm in regions with heavy snow fall.
14. 500mm clearance to any vertical structure on a roof, 600mm to room sealed flue or 1,500 to an open flue.
15. 200mm below eaves and 75mm below gutters, pipe and drains.
16. The dimension below eaves, balconies and car ports can be reduced to 25mm, as long as the flue terminal is extended to clear any overhang. External flue joints must be sealed with suitable silicon sealant.
17. Flue clearance must be at least 300mm from the ground. Terminal guards must be fitted if the flue is less than 2 metres from the ground or if a person could come into contact with the flue terminal.
18. 600mm distance to a surface facing a terminal, unless it will cause a nuisance. BS 5440: Part 1 recommends that care is taken when siting terminals in relation to surfaces facing a terminal.



Note:

- ▶ Installations in car ports are not recommended.
- ▶ The flue cannot be lower than 1,000mm from the top of a light well due to the build up of combustion products.
- ▶ Dimensions from a flue terminal to a fanned air inlet to be determined by the ventilation equipment manufacturer.

3.8 Plume management terminal positions

All measurements in millimetres

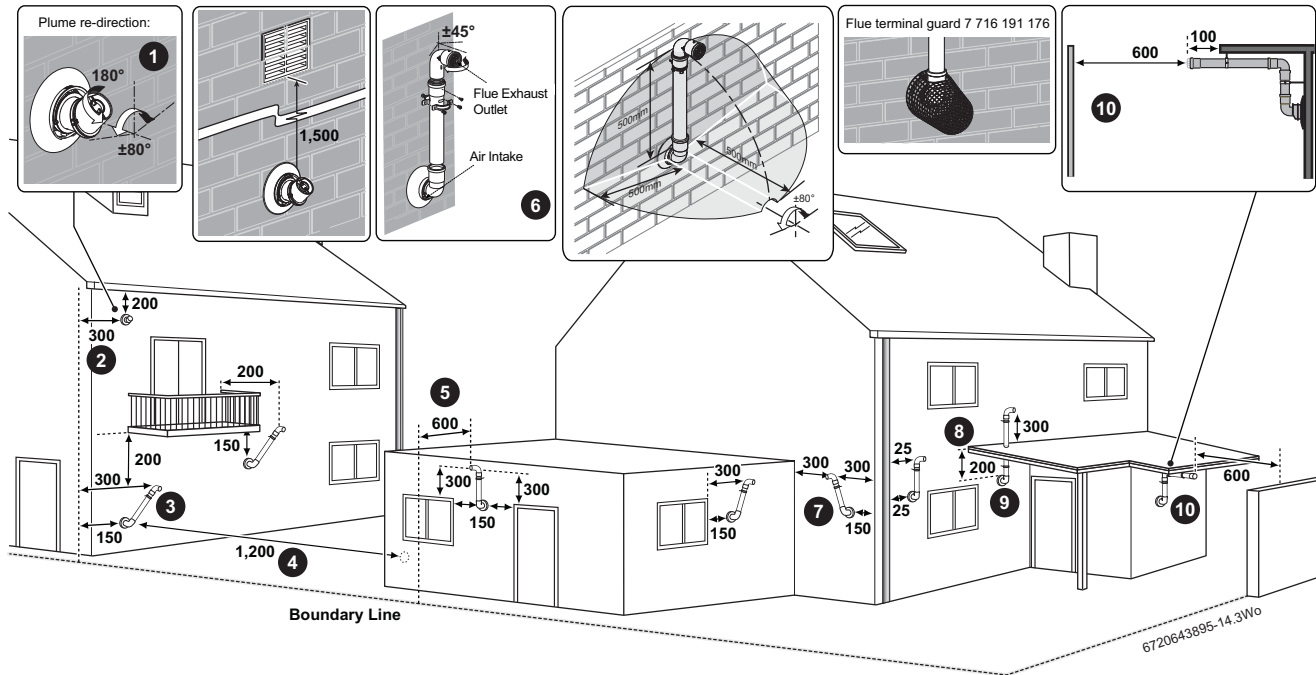


Fig. 17 Plume terminal positions



Maximum and minimum plume management lengths:

- ▶ A minimum distance of 500mm must be maintained between the plume management outlet and the flue air intake.
- ▶ The maximum plume management length is 4.5 metres for the appliances detailed on the front of this manual.
- ▶ The 45° bend is equivalent to 0.75 metres of straight plume management and the 90° bend is equivalent to 1.5 metres.



NOTICE:

- ▶ All measurements are the minimum clearances required.
- ▶ Refer to previous page for all concentric flue terminal positions unless the flue position is specified on the figure above “Plume terminal positions”.
- ▶ Terminals must be positioned so to avoid combustion products entering the building.
- ▶ Support the flue at approximately one metre intervals and at a change of direction, use suitable brackets and fittings.

Key to illustration

- | | |
|--|---|
| <ol style="list-style-type: none"> 1. This feature allows some basic plume re-direction options on a standard telescopic horizontal flue terminal. 300mm minimum clearances to a opening e.g. window. However the minimum clearances to an opening in the direction that the plume management is facing, must be increased to 1,500mm. Where the flue is less than 150mm to a drainpipe and plume re-direction is used the deflector should not be directed towards the drainpipe. 2. 300mm adjacent to a boundary line. 3. Plume Management kit air intake can be reduced to 150mm providing the flue exhaust outlet is no less than 300mm adjacent to a boundary line. 4. 1,200mm between terminals facing each other. 5. 600mm distance to a boundary line, unless it will cause a nuisance. BS 5440:Part 1 recommends that care is taken when siting terminal in relation to boundary lines. 6. Using a Plume Management kit the air intake measurement can be reduced to 150mm providing the flue exhaust outlet has a 300mm clearance. Plume kits running horizontally must have at least a 3° fall back to the boiler for proper disposal of condensate, except or the initial horizontal run from the terminal (refer to note opposite). | <ol style="list-style-type: none"> 7. Internal/external corners. The air intake clearance can be reduced to 150mm providing the flue exhaust outlet has a 300mm clearance. 8. Clearances no less than 200mm from the lowest point of the balcony or overhang. 9. 1,200mm from an opening in a car port on the same wall e.g. door or window leading into the dwelling. 10. 600mm distance to a surface facing a terminal, unless it will cause a nuisance. BS 5440: Part 1 recommends that care is taken when siting terminals in relation to surfaces facing a terminal. |
|--|---|



Note:

- ▶ Installations in car ports are not recommended.
- ▶ The flue cannot be lower than 1,000mm from the top of a light well due to the build up of combustion products.
- ▶ Dimensions from a flue terminal to a fanned air inlet to be determined by the ventilation equipment manufacturer.
- ▶ The initial plume kit horizontal run will have at least a 10° fall back to the boiler, due to the terminal elbow design, for proper disposal of the condensate.

For details on specific lengths see relevant boiler Technical and Specification information.

4 INSTALLATION



CAUTION: ROOF SPACE

- ▶ THIS BOILER IS NOT SUITABLE FOR ROOF SPACE INSTALLATION.



NOTICE: Boiler start up

- ▶ All the previous Pre-Installation sections must be read and requirements met before starting boiler or flue installation.

4.1 Unpacking the boiler



NOTICE: BOILER HANDLING

- ▶ The correct method for handling heavy objects should be strictly observed, at all times.
- ▶ Take care not to damage the boiler panels or the floor.
- ▶ The boiler may contain some water due to factory testing
- ▶ Store the boiler in a dry area prior to installation

Unpacking:

- ▶ Undo the ties securing the carton to the pallet.
If a sharp implement is used, care must be taken not to pierce the carton or cause injury.
- ▶ Before removing the carton it is advised that the top flaps are opened and the ancillary items [1, 2, 3, 4 & 5] are removed and set to one side.
- ▶ The carton can now be lifted off the boiler.
- ▶ Remove the plastic bag protecting the boiler surfaces and place safely away from the working area.
- ▶ Grip the outer sides of the front panel, pull towards you to release the ball catches and lift away from retaining lugs.
- ▶ Remove the front retaining screw securing the boiler to the pallet.
- ▶ Remove the rear retaining screw securing the boiler to the pallet.
- ▶ The boiler is mounted on small wheels and two people are recommended to move the boiler from the pallet taking care not to damage the panels or the floor.
- ▶ Slide the boiler off the pallet.

GENERAL HANDLING GUIDELINES:

- ▶ Lift only a manageable weight, or ask for help.
- ▶ When lifting, bend the knees, and keep the back straight and feet apart.
- ▶ Do not lift and twist at the same time. Lift and carry items close to the body
- ▶ Wear protective clothing and gloves to protect from any sharp edges

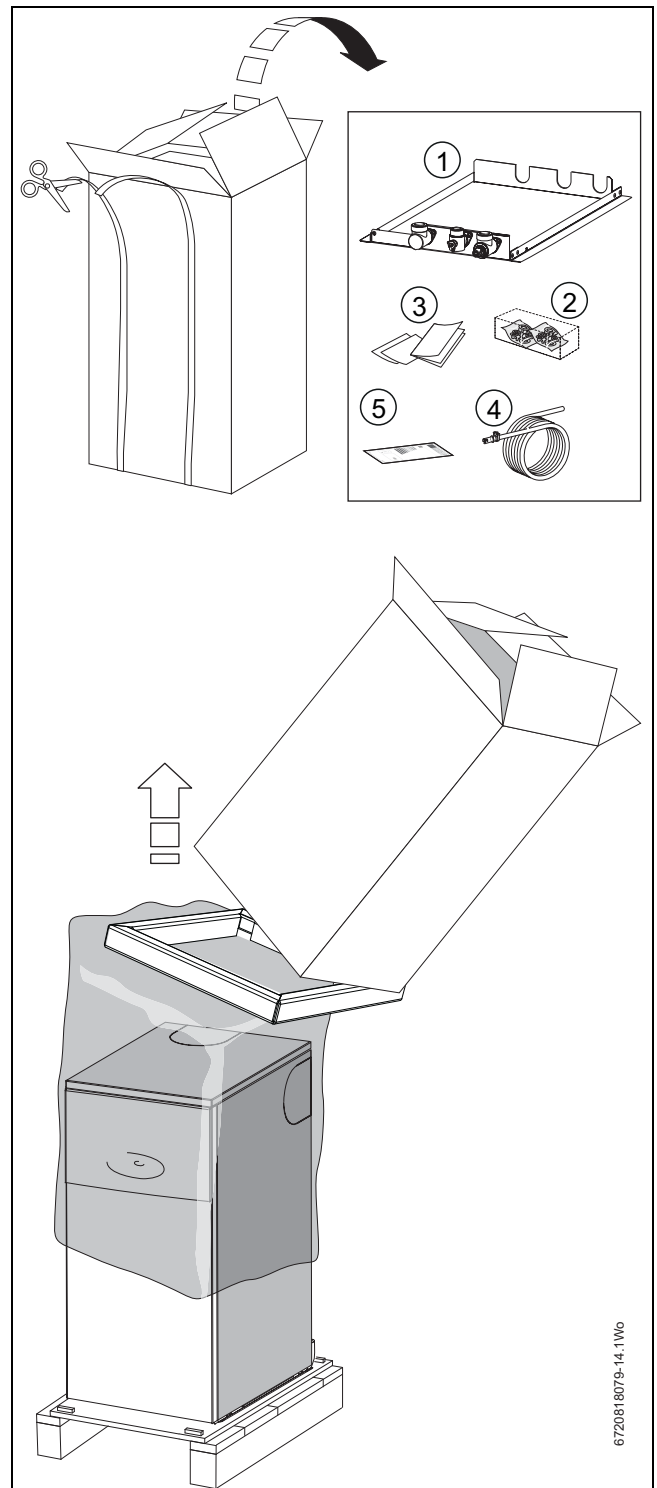
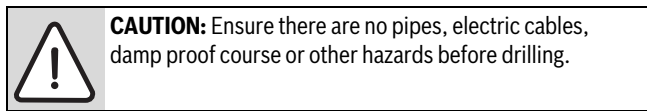


Fig. 18 Unpacking

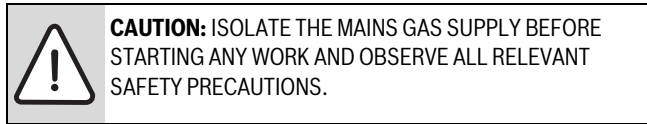
- [1] Mounting frame
- [2] Installation pack
- [3] Literature pack
- [4] Condensate waste pipe and non-return valve
- [5] ErP energy label

4.2 Mounting frame fixing and flue opening



Safety

All relevant safety precautions must be undertaken. Protective clothing, footwear, gloves and safety goggles must be worn as appropriate.



Running pipes behind the boiler:

- The frame should sit against the wall (not the skirting board) with enough room for the pipe work.
- Do not cross a pipe over another.
- The area around a rear flue outlet must be avoided.

GAS AND WATER CONNECTIONS

- ▶ Ensure all pipe work is clean and each pipe is in the correct position as shown opposite.
- ▶ Push in each pipe in turn and tighten the fitting to secure.

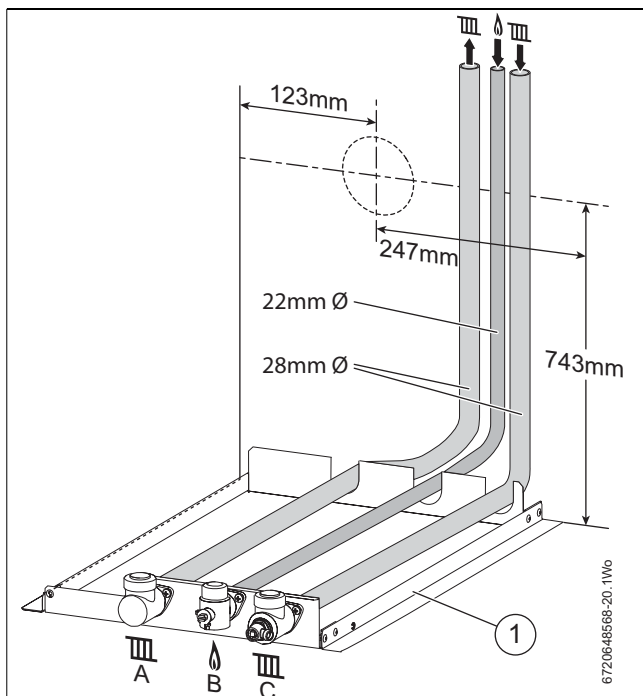


Fig. 19 Rear exit flue centre

- [1] Mounting frame
- [A] CH flow (28mm)
- [B] Gas inlet (22mm)
- [C] CH return (28mm)

Fixing the mounting frame

- ▶ Position the mounting frame [1] on the floor against the wall with manifold connections [2] facing away from the wall [4] ensuring there is enough space for the pipe work [5].
- ▶ Allow, at least, the minimum space from each side of the frame [1] for the boiler overhang [6] and minimum service clearance, as shown.
- ▶ Ensure the mounting frame is level and mark the fixing points [3].
- ▶ Secure the mounting frame [1] to the floor using appropriate fittings (not supplied).
- ▶ Clear any debris away from the site.

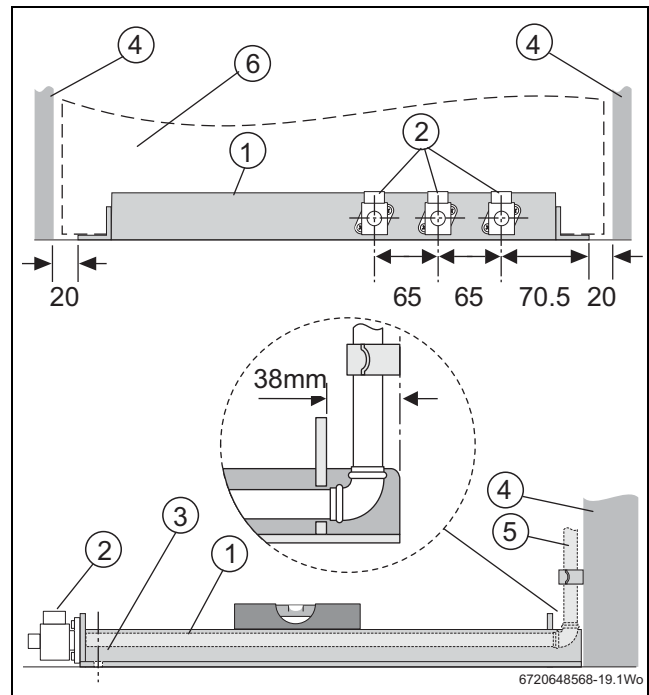


Fig. 20 Positioning

- [1] Mounting frame.
- [2] Manifold connections.
- [3] Mounting frame fixing point.
- [4] Wall.
- [5] Gas and water pipe work (not supplied).
- [6] Boiler.

FLUE OPENING:

- ▶ Follow the information in figure 21 to mark the centre of the flue [1 & 2] for rear opening, [2 & 3] for side opening or [1 & 4] for top opening. Measurements shown include the minimum service clearances.



All horizontal flue sections must rise away from the boiler by 52mm per metre to ensure that condensate flows back into the boiler for safe discharge via the condensate waste pipe.

- ▶ Cover the mounting frame manifold assembly [1] to protect the manifold connections.
- ▶ Make an opening [X or Z] through the wall using a core drill or similar at a size relative to the wall thickness as shown below:

Wall thickness	Flue opening 60/100 Ø	Flue opening 80/125 Ø
150 - 240mm	127mmØ	152mmØ
240 - 330mm	127mmØ	152mmØ
330 - 420mm	127mmØ	162mmØ
420 - 500mm	140mmØ	162mmØ

Where the flue terminal can only be fitted from inside the building, increase the opening to 150mmØ to allow the optional weather collar to fit through the opening for 60/100 flue.

- ▶ Clear any debris away from the site.

All dimensions in mm

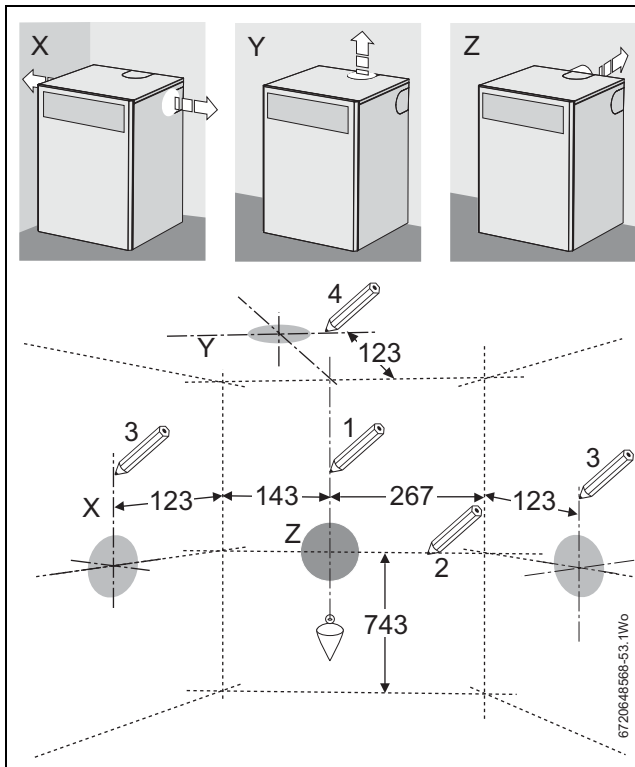


Fig. 21 Boiler flue outlet positions

4.3 Flue measuring and cutting

NOTICE: Flue installation

- Refer to the Flue Kit Installation instructions provided with your flue kit to correctly install the flue with this Floor standing boiler

NOTICE: FLUE LENGTH

- Do not exceed the maximum straight length for a horizontal or vertical flue or a 60mm plume management system (if used) as stated in the relevant Installation, Commissioning and Servicing Instructions manual or addendum.

i Cutting the flue to an exact measurement is not normally required as the telescopic flue terminal can allow for some adjustment.

Maximum effective flue lengths FS 30/42 ^{ErP}	L max. (mm)
60/100 horizontal	4 000
60/100 vertical	6 400
80/125 horizontal	13 000
80/125 vertical	15 000

Table 10 Maximum flue lengths

Flue length guide

Flue length range (mm)	Cut	Number of extensions
140 ¹⁾ - 265	YES	None
310 - 530	NO	None
530 - 750	NO	None
750 - 1260	YES	1
1260 - 1480	NO	1
1480 - 2210	YES	2
2210 - 2430	NO	2
2430 - 3160	YES	3
3160 - 3380	NO	3
3380 - 4000	YES	4

Table 11 Flue extension guidance up to 4000mm

1) The flue is cut to a minimum of 130mm the flue connector adds the additional 10mm.

Access to combustion chamber for flue installation

- ▶ Grip the outer sides of the front panel [1] pull off the ball catches [2] and lift away from the retaining lugs [3].
- ▶ Remove the retaining screw [4] to swing control panel assembly [5] outwards to its full extent.
- ▶ Release four screws [6] to remove the inner case cover [7].

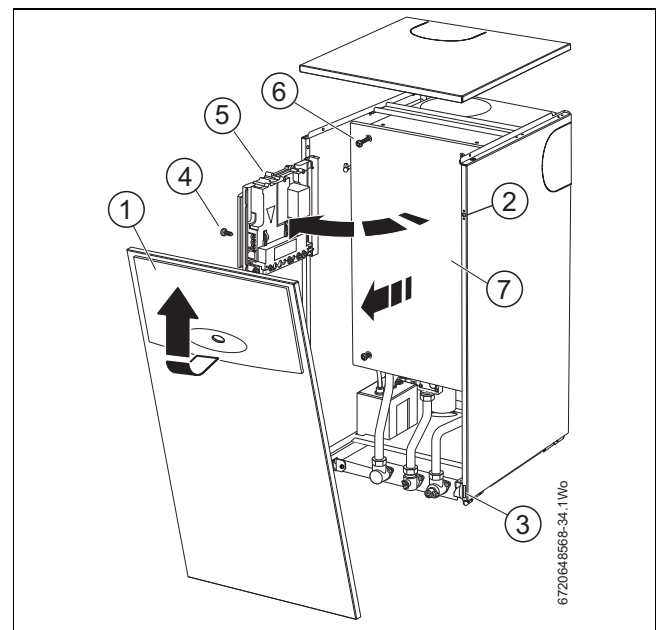


Fig. 22 Access for flue connection

4.4 Condensate, gas and water connections

CONDENSATE CONNECTION:

Refer to figures 23 and 24.

The condensate pump [7] fills up and periodically discharges through the flexible condensate pipe [8] between 200mm to 4500mm from floor level. After this point the condensate flows, due to gravity, down the 21.5mm plastic pipe to the outlet.

- ▶ Fit the bayonet connector on the end of the condensate waste pipe to the condensate pump. Push down and rotate clockwise until the connector is locked.
- ▶ Route and secure condensate waste pipe [8] with clips supplied to prevent kinking or restriction.
- ▶ Cut off any excess pipe [8].
- ▶ Fit the condensate waste pipe [8] to adaptor [11] and secure with clip [10].
- ▶ Connect adaptor [11] to 21.5mm plastic pipe and terminate appropriately as described in section 3.4.

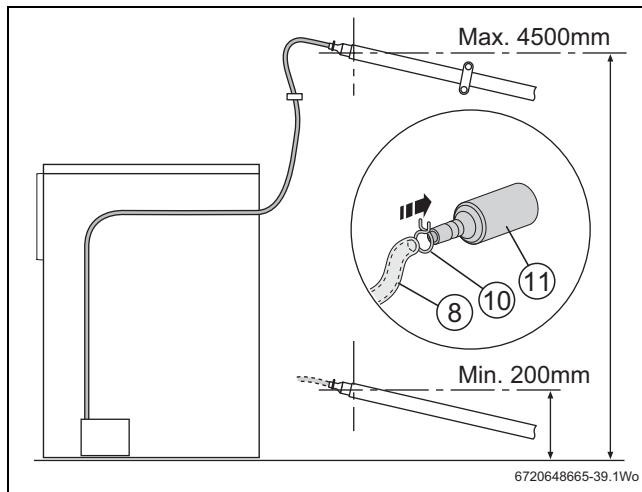


Fig. 23 Condensate connection

(See Pre-Installation section for condensate pipe work running from the adaptor [11] to the discharge outlet).

Never terminate or discharge into any open source, including; sink, bath, shower, bidet, toilet etc.



- ▶ Any external condensate pipe work should be protected with weather resistant insulation to help prevent freezing.
- ▶ The flexible pipe supplied can only be used inside the property.



CAUTION: ISOLATE THE MAINS GAS AND WATER SUPPLY BEFORE STARTING ANY WORK AND OBSERVE ALL RELEVANT SAFETY PRECAUTIONS.

GAS AND WATER CONNECTIONS:

- ▶ Remove the transit bung [12] from the gas and water connections [A, B & C] on the boiler and mounting frame.



Surplus water may be present due to factory testing.

- ▶ Ensure the area is clear of debris and manoeuvre the boiler rear wheels onto the outer rails of the mounting frame [6].
- ▶ Take care when moving the boiler to position the front wheels onto the rails and align the gas/water connections and the flue.
- ▶ Secure boiler to mounting frame [6] with screw [13]
- ▶ Place the two larger valve sealing washers (shown shaded) onto valves [A] & [C].
- ▶ Place the bonded sealing washer onto valve [B].
- ▶ Ensure all pipe work is clean.
- ▶ Tighten the compression fittings to secure:
 - [A] - CH flow (28mm)
 - [B] - Gas inlet (22mm)
 - [C] - CH return (28mm)

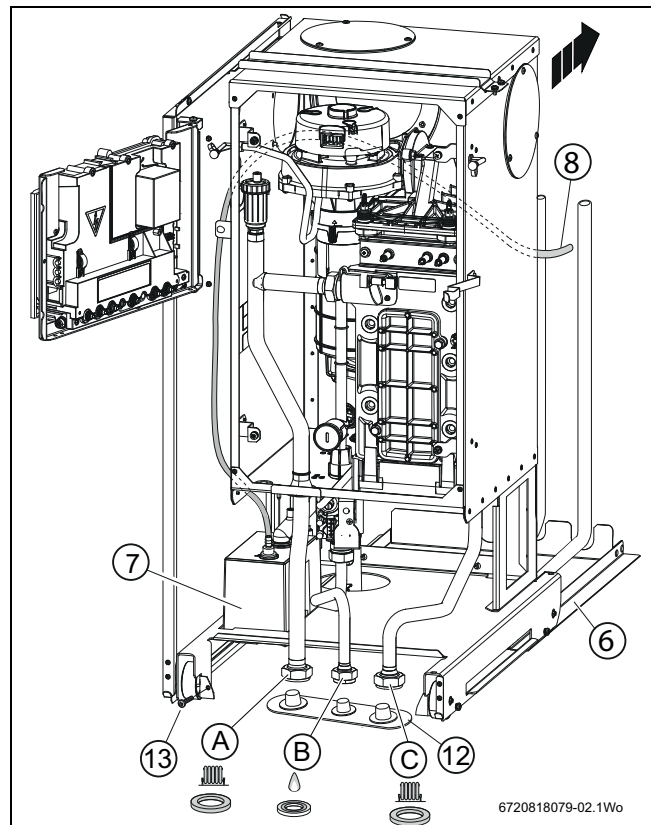


Fig. 24 Connections

4.5 Electrical



CAUTION: ISOLATE THE 230V ELECTRICITY SUPPLY

- ▶ Ensure that the electricity supply is safely isolated and secured to prevent inadvertent re-connection. Information on safe isolation can be found in the Health and Safety Executive guidance HSG85. Using test equipment approved to GS38 confirm that the electricity supply is disconnected



- ▶ The mains electrical supply to the boiler and system wiring centre must be common and through either a common fused double pole isolator or a fused three pin plug and unswitched socket.
- ▶ The isolator shall be situated next to the boiler for new systems and replacement boilers, where practicable.
- ▶ The isolator must have a contact separation of 3mm minimum between all poles. Any system connected to the boiler must not have a separate electrical supply.
- ▶ External fuse 3 Amps.
- ▶ When stripping the wires ensure copper strands do not fall into the control box.

List of wiring connections

L	Live incoming 230V supply
N	Neutral incoming supply
E	Earth incoming supply
LS	Live Supply to external controls (protected by F1 fuse)
NS	Neutral Supply to external controls
LR	Live Return (switch wire from external CH controls)
FS	Frost thermostat live supply
FR	Frost thermostat return (switch wire from frost stat)

Access to the electrical connections

- ▶ Remove the boiler casing to access control panel.
- ▶ Remove the screw [1] and swing the control panel into the service position.

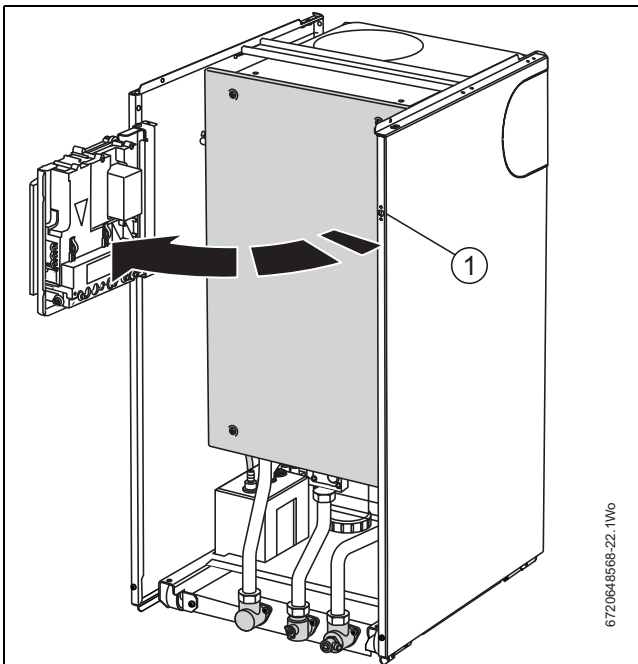


Fig. 25 Control box service position

- ▶ Remove the three screws [2] in the control panel and remove the connections cover.

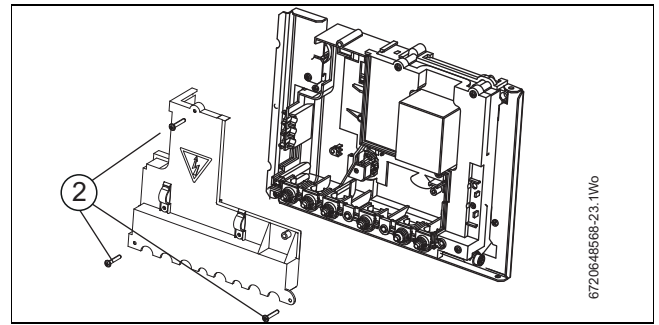


Fig. 26 Electrical connections access

Preparing cable clamps

- ▶ Unclip cable clamp [1].
- ▶ Cut off the tapered cable entry [2] to suit the cable diameter.
- ▶ Unscrew cable retaining screw [3].
- ▶ Prepare the cable as shown in the figure below.
- ▶ Run the cable [4] through the cable clamp [1] ensuring there is ample cable to reach the connectors.
- ▶ Tighten the cable retaining screw [3] to secure the cable, on the outer sheath, and replace clamp [1] into the control panel.

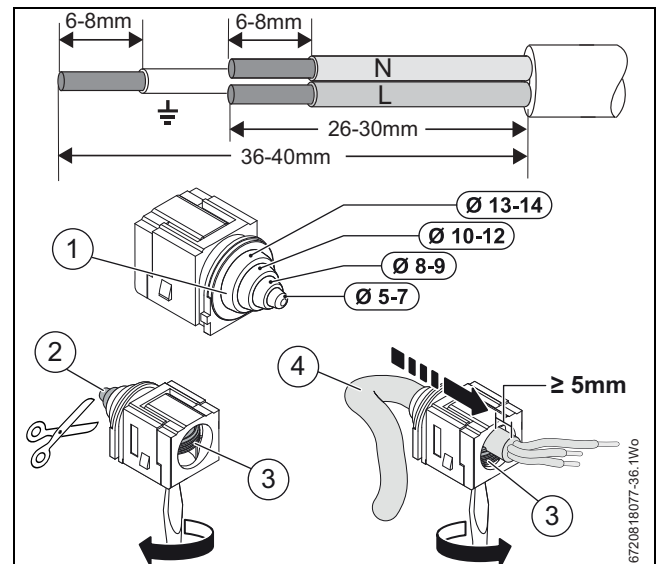


Fig. 27 Cable retainers

4.5.1 PCB Connections

1. Mains power 230 Volt connection ST10:
 - ▶ Separate the wires from cable end and strip to 6mm
 - ▶ Connect the LIVE wire to terminal L
 - ▶ Connect the NEUTRAL wire to terminal N
 - ▶ Connect the EARTH wire to the earth connector block next to ST10



Make the EARTH wire longer so that if the cable is snagged, the EARTH wire is the last to be pulled out.

2. System wiring centre connection ST10:
 - ▶ Remove the link
 - ▶ Connect the LIVE feed wire to the wiring centre to terminal Ls
 - ▶ Connect the NEUTRAL feed wire to the wiring centre to terminal Ns
 - ▶ Connect the SWITCHED LIVE (demand) from the wiring centre to terminal LR
 - ▶ Connect the EARTH wire to the earth connector block next to ST10
3. External pump must be wired back to the boiler:
 - ▶ Connect the pump LIVE to terminal Lz
 - ▶ Connect the pump NEUTRAL to terminal Nz
 - ▶ Connect the EARTH wire to the earth connector block next to ST10
 - ▶ Refit all panels



External diverter valve(s) and all other 230V parts are not supplied with the boiler.

Refer to manufacturers instructions when connecting external parts to the wiring centre.

Worcester, Bosch Group cannot be held responsible for wiring errors.

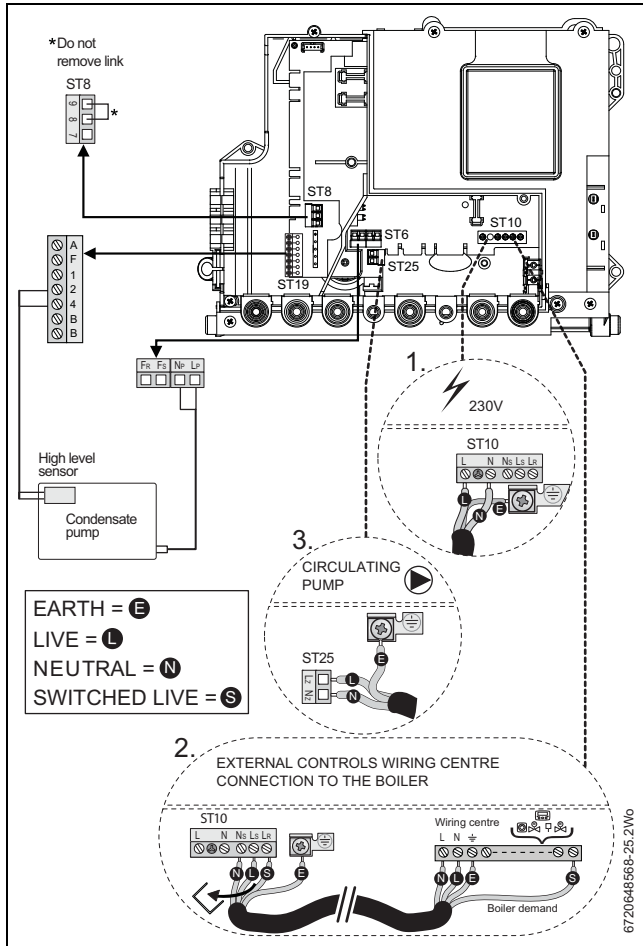


Fig. 28 PCB connections

5 COMMISSIONING

5.1 Pre-commissioning checks



CAUTION: ISOLATE THE MAINS SUPPLIES BEFORE STARTING ANY WORK AND OBSERVE ALL RELEVANT SAFETY PRECAUTIONS.

- ▶ Check that the service and water pipes are connected to the correct valve on the manifold;
 - A - CH flow (28mm)
 - B - Gas inlet (22mm)
 - C - CH return (28mm)
- ▶ Check all system and boiler drain points [1] are closed.
- ▶ Check the gas type specified on the identification plate matches that of the gas supply:
 - Turn on the main gas supply and purge the gas supply [2] to the boiler ensuring that the room is well ventilated.
 - Test the gas supply for tightness as described in BS 6891.
- ▶ Check the condensate pipe work [3] is correctly fitted and connected.

- ▶ Check the flue [4] is correctly fitted and the connections are secure.
- ▶ Refit inner combustion cover [5] and secure with four screws [6].



NOTICE: If the boiler is not to be commissioned immediately then: after successfully completing all of the checks and any rectification work, shut off the gas supply and electrically isolate the boiler. Complete the installation part of the Guarantee Registration Card.

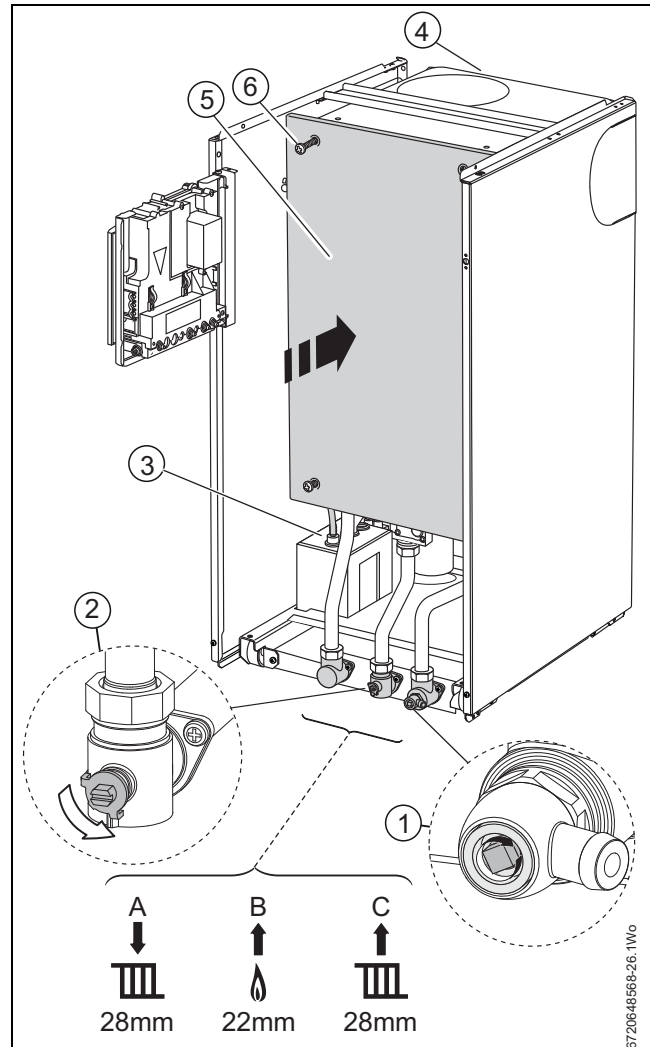


Fig. 29 Pre-commissioning checks

5.2 Filling the system

- ▶ Open all the system and radiator valves.
- ▶ Turn on the water main stop cock.

Open vented system only

- ▶ Turn on the water to the system header tank and allow the system to fill.

Sealed System

- ▶ Locate the pressure gauge externally on the system;
- ▶ Fill the system to 1 bar pressure via a WRAS approved filling link.
- ▶ Vent all radiators, retighten when completed.
- ▶ Check the system and rectify any leaks.

5.3 Water treatment

NOTICE: Debris from the system can damage the boiler and reduce efficiency. Failure to comply with the guidelines for the use of water treatment with the appliance will invalidate the appliance warranty.

NOTICE:
▶ ARTIFICIALLY SOFTENED WATER MUST NOT BE USED TO FILL THE CENTRAL HEATING SYSTEM.

ENSURE THAT THE SYSTEM HAS BEEN CLEANED AS ON PAGE 10 OF THESE INSTRUCTIONS.

FLUSHING (Central Heating):

- ▶ Switch off the boiler.
- ▶ Open all radiator valves/drain cocks and drain the system while the appliance is hot.
- ▶ Close drain cocks.
- ▶ Add a suitable flushing agent and refill the system at the correct strength for the system condition in accordance with the manufacturer's instructions.
- ▶ Run the boiler/system at normal operating temperature for the time stated by the flushing agent manufacturer.
- ▶ Drain and thoroughly flush the system to remove the flushing agent and debris.

INHIBITOR (Central Heating):

- ▶ Check drain cocks are closed and all radiator valves are open before adding a suitable inhibitor compatible with aluminium (or combined inhibitor/anti-freeze if the system is exposed to freezing conditions) to the heating system water in accordance with the manufacturers instructions.

i The pH value of the system water must be less than 8 or the appliance warranty will be invalidated.

- ▶ Open vented systems only:
 - Turn on the water to the system header tank and allow the system to fill.
- ▶ Sealed systems only:
 - Fill the system between 1 and 1.5 bar via a WRAS approved filling loop.
- ▶ Vent the boiler and all radiators, retighten vents when complete.
- ▶ Record the date when the inhibitor was added to the system on the guarantee card.

NOTICE:

- ▶ The concentration of inhibitor in the system should be checked every 12 months or sooner if system content is lost.
- ▶ The addition of sealing agents to the system water is not recommended as this can cause problems with deposits left in the heat exchanger.
- ▶ In cases where all attempts to find a micro leak have failed, Worcester, Bosch Group supports the use of Fernox F4 leak sealer.

5.4 Starting the appliance

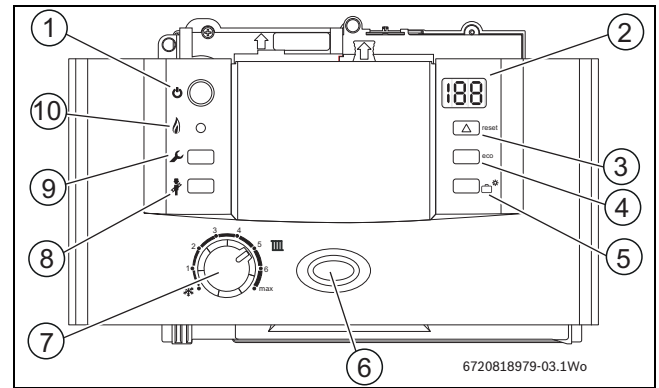


Fig. 30 Fascia guide

- [1] Master switch for ON/OFF
- [2] Display
- [3] Fault reset button
- [4] Not used
- [5] Not used
- [6] 230V mains ON/OFF indicator + fault diagnostic light (blue)
- [7] Temperature control
- [8] Service engineer button
- [9] Service menu button
- [10] Burner ON indicator light (green)

NOTICE: Never run the appliance when the appliance or system is empty or unpressurised.

5.4.1 Switching the appliance on/off:

- ▶ Turn on mains power supply.

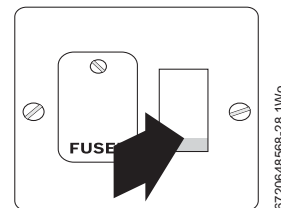


Fig. 31 3 Amp fused double pole isolator

- ▶ Turn on any external controls.
- ▶ Set the TRV controls to maximum.
- ▶ Set the clock/programmer to continuously ON and the room thermostat to maximum temperature.
- ▶ Press button [1] and the power on indicator [6] illuminates blue.

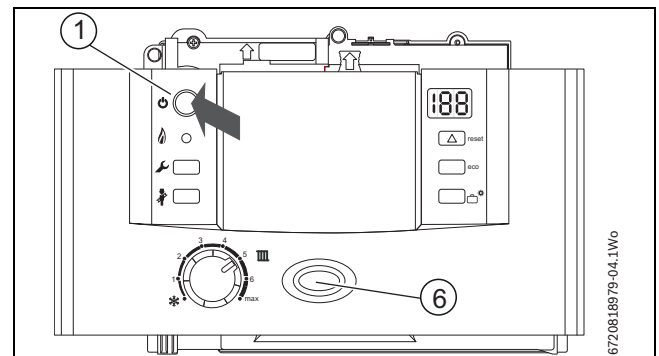


Fig. 32 Turning on the appliance

- ▶ Turn the temperature control [7] to maximum. The burner on indicator [10] illuminates green when the burner has lit.



The boiler runs for 15 minutes at minimum heating output to fill the condensate trap. This occurs every time the mains supply has been interrupted.

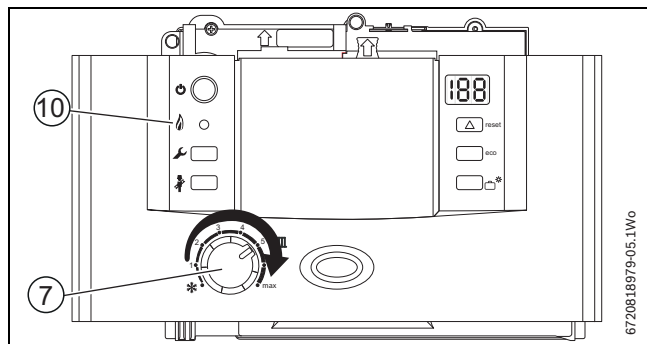


Fig. 33 Operating the boiler

- ▶ If the boiler fails to light, the blue power indicator [6] and reset button [3] will flash alternately.
- ▶ To reset the boiler, press and hold the reset button [3] for 2 seconds.

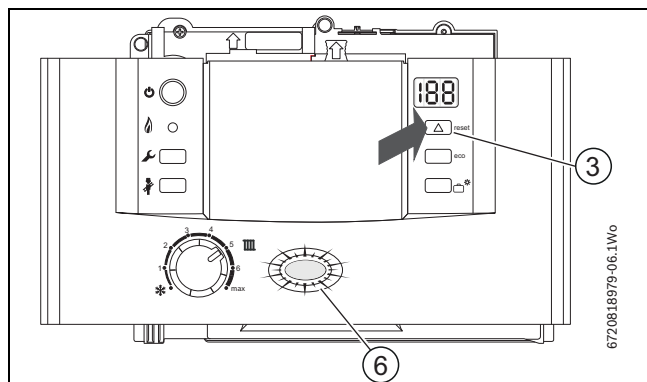


Fig. 34 Boiler reset



CAUTION: DO NOT PRESS THE POWER INDICATOR [6] TO RESET THE BOILER.

5.4.2 Initialization

The appliance performs a self test at initial switch on that takes approximately 10 seconds.

During the test, the display shows **188** for the first two seconds.

The Service engineer and the Service menu buttons light up orange and the Reset button lights up red.

Afterwards the display shows the central heating temperature.

On successful completion of the test sequence the appliance is ready for operation.

5.4.3 Display messages

Special messages	Description
	Key acknowledgement after pressing one button (except reset button)
	Key acknowledgement after pressing two buttons simultaneously
	Key acknowledgement after pressing button longer than 3 seconds (save function)
	The display shows alternatively the CH flow temperature and . The appliance works continuously at the minimum power (see Engineer's Service manual - function 2.F).
	The display shows alternatively the CH flow temperature and . The appliance works continuously at the maximum power (see Engineer's Service manual - function 2.F).
	Appliance is in Air purge mode, (see Engineer's Service manual - function 2.C.
	The display shows alternatively the CH flow temperature and . The Syphon-fill programme is active. (see Engineer's Service manual - function 4.F
	The display shows alternatively the CH flow temperature and reminding that the next service is due. The burner service interval of 2324 hours has run out. (see Engineer's Service manual - function 5.F.
	The display shows alternatively the CH flow temperature and . The pump is blocked. See error E9.
	The display shows alternatively the CH flow temperature and . The gradient limitation is active. The primary temperature is rising too fast and the burner has switched off for 2 minutes. See error E9.

Table 12 Special display messages

5.5 Checking gas inlet pressure

5.5.1 Measuring the inlet pressure

The inlet pressure to the appliance must be checked using the following procedure:

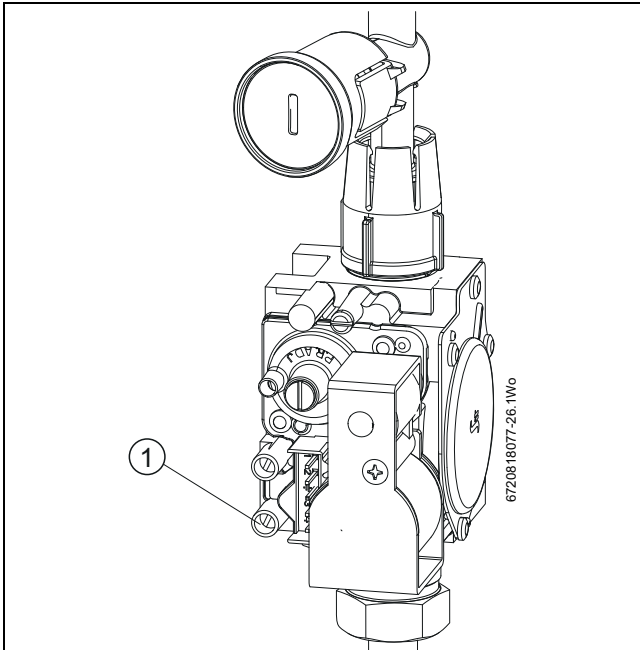


Fig. 35 Inlet test point

- ▶ Close the gas isolation valve.
- ▶ Slacken the screw in the inlet pressure test point [1] and connect a manometer.
- ▶ Open the gas isolation valve.
- ▶ Measure the pressure with the boiler running at maximum.
 - Press Service engineer button [8] for more than ten seconds and set Central Heating temperature to maximum.
 - The Service engineer button [8] will illuminate continually and the blue power indicator will pulse five times.
- ▶ Check the gas supply working pressure at the gas valve conforms to values shown in figure 36 or figure 37.



Ensure inlet pressure is satisfactory with all other gas appliances working.

Gas pressure within the system



The boiler must be running at maximum output rate when performing the gas rate check.

Refer to the figures below for natural gas or L.P.G gas pressures.

The pressure at the boiler must not be less than the pressure read at the meter minus:

- 1 mbar for Natural Gas
- 2.5 mbar for L.P.G.

The pressure drop from the meter to the gas valve must not be more than:

- 2.5 mbar for Natural Gas
- 4 mbar for L.P.G.

If the pressure drops are greater than shown below, then this would indicate a problem with the pipe work or connections within the system.

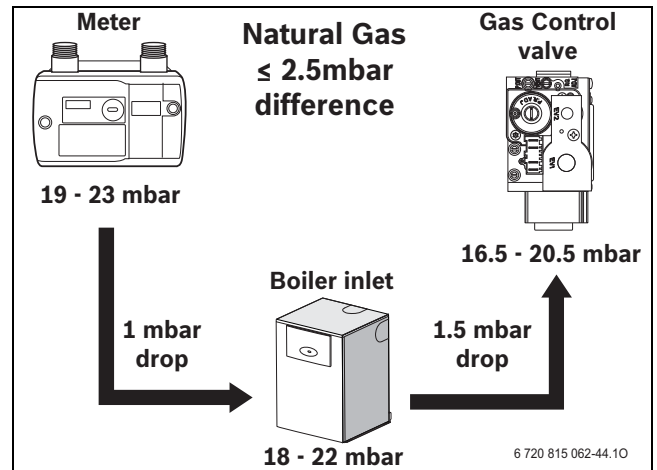


Fig. 36 Natural gas pressures

[\leq] Equal to or less than

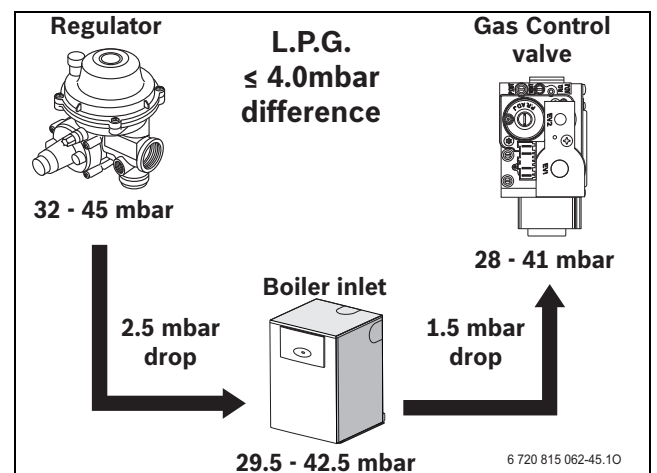


Fig. 37 L.P.G. pressures



NOTICE: Gas pressure

Do not continue commissioning until the correct gas pressure is achieved.

- ▶ If pressure is satisfactory press the Service engineer button [8] again and the boiler will return to normal operation.
- ▶ If left in the Service mode the control will return to normal operation after 15 minutes.
- ▶ Re-seal the screw in the gas inlet pressure test point.

5.5.2 Checking the gas rate

- ▶ The gas rate should be measured at the gas meter after 10 minutes operation at maximum, refer to technical data in section 2.2.
- ▶ Where a gas meter is not available (e.g. LPG) the CO/CO₂ must be checked to the units shown in the setting the air/gas ratio, refer to section 6.8.
- ▶ If pressure and gas rate are satisfactory press the Service engineer button [8] again and the boiler will return to normal operation.
 - If left in the service mode the control will return to normal operation after 15 minutes.
- ▶ Close the gas isolation valve.
- ▶ Remove the manometer.
- ▶ Re-seal the screw in the gas inlet pressure test point.
- ▶ Open the gas isolation valve.
- ▶ Ensure that there are no gas leaks.
- ▶ Replace the outer case.

5.6 CO and combustion check

The following combustion and flue integrity checks are mandatory and these values must be recorded on the Benchmark check list, at the back of this manual.

Once the gas rate and pressure have been confirmed as acceptable then the CO and combustion checks can be undertaken.

The flow chart is given for guidance, the details of the checks are given in the following sections:

- Checking flue integrity, refer to section 6.5, page 31
- Flue gas analysis, refer to section 6.6, page 31

NOTICE: Before CO and combustion checks:

- ▶ Refer to section 5.5.1 and 5.5.2 to verify gas type, gas inlet pressure, and gas rate. Visually check the integrity of the whole flue system and confirm that all the components are correctly assembled, fixed and supported.
- ▶ The flue gas analyser must be the correct type as specified in BS 7967. Before use the analyser must have been calibrated as specified by the manufacturer. The installer must be competent in the use of the analyser. Check and zero the analyser in fresh air as specified by the manufacturer.
- ▶ The air/gas ratio valve is factory set and must not be adjusted during commissioning unless this action is recommended following contact with the Worcester, Bosch Group help line 0330 123 3366.

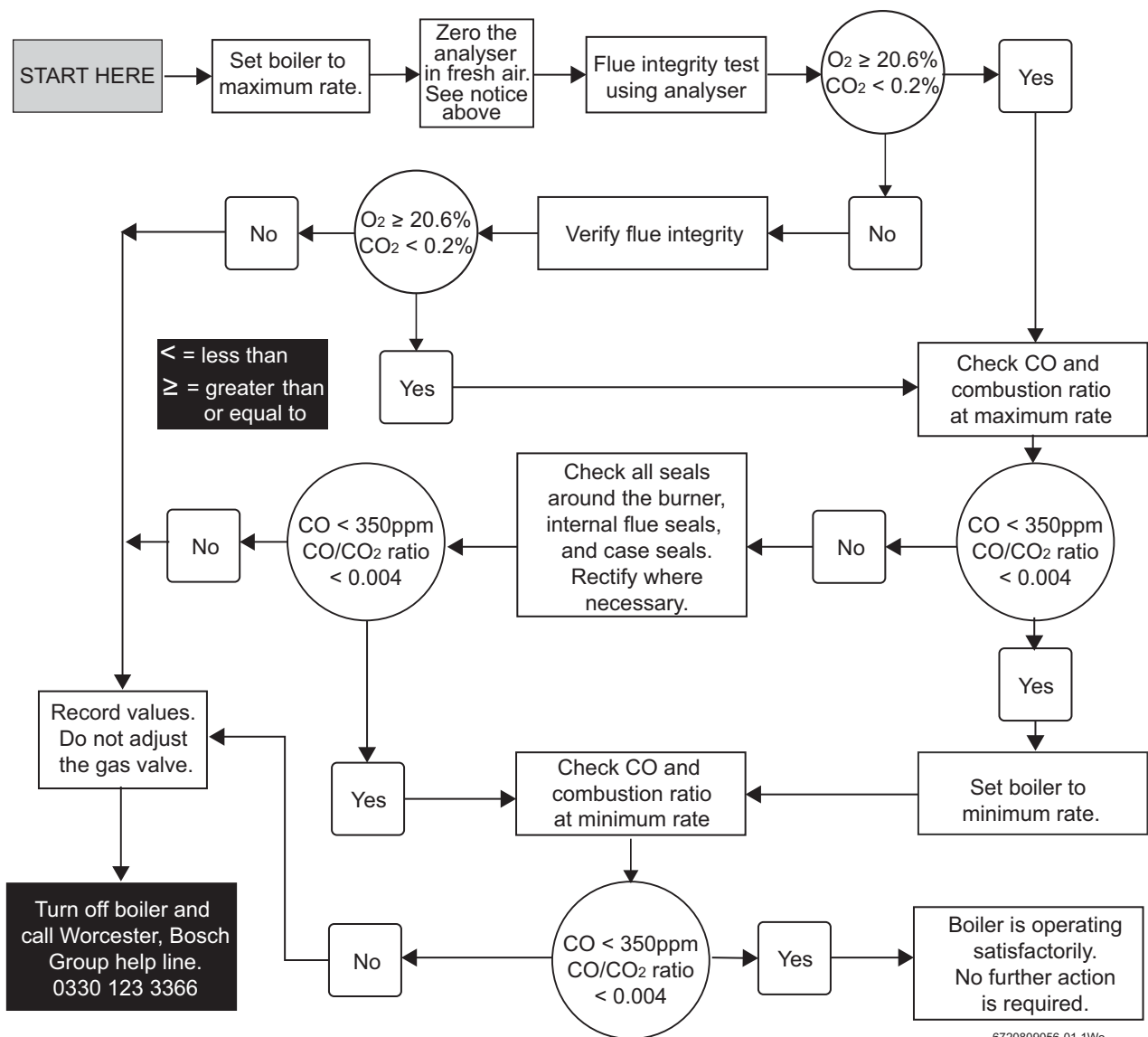


Fig. 38 Commissioning checks

6720809056-01.1Wo

5.7 Finishing commissioning



At the time of commissioning, complete all relevant sections of the Benchmark Checklist located on the inside back pages of this document.

- ▶ Engage top panel [1] onto rear retainers [2] and lower front of panel into position.
- ▶ Secure with screws [3].
- ▶ Swing control panel assembly [4] into the boiler.
- ▶ Secure with screw [5].
- ▶ Locate bottom corners of the front panel [6] into retainers [7].
- ▶ Push top of door to engage clips [8].

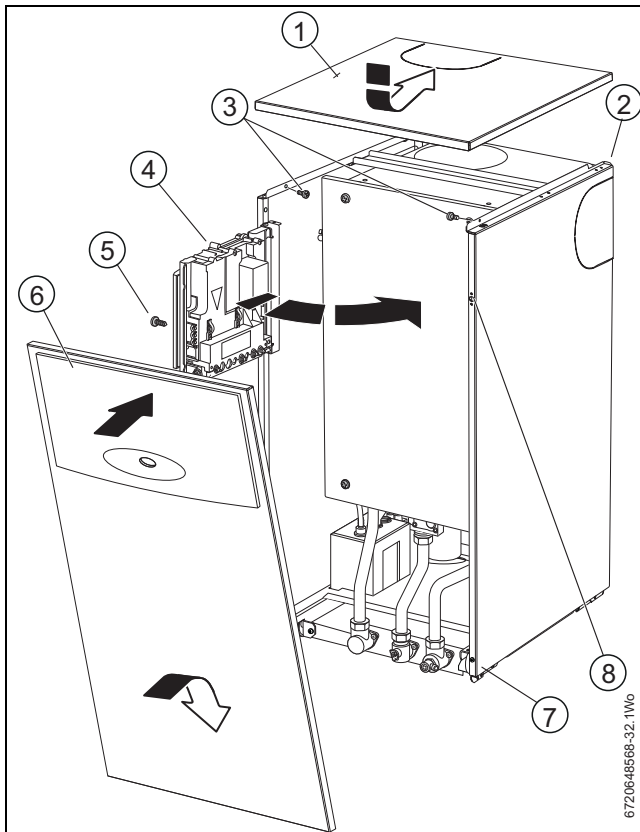


Fig. 39 Finishing commissioning

HANDOVER:

- ▶ Complete the Benchmark log book at the rear of the manual.
- ▶ Set up the controls and show the user how to operate all the controls shown in the User Guide.
- ▶ If appropriate instruct the user how to repressurise the system.
- ▶ If the appliance is unused and exposed to freezing conditions, advise the user of the precautions necessary to prevent damage to the boiler, system and building.
In the event of the appliance being inoperative, isolate the boiler and drain the system and boiler.

6 SERVICING AND SPARES

6.1 Inspection and service



CAUTION: ISOLATE THE GAS SUPPLY

- ▶ Ensure that the gas supply is safely Isolated and secured to prevent inadvertent re-connection.
Follow all relevant safety precautions



CAUTION: ISOLATE THE 230V ELECTRICITY SUPPLY

- ▶ Ensure that the electricity supply is safely Isolated and secured to prevent inadvertent re-connection.
Information on safe isolation can be found in the Health and Safety Executive guidance HSG85.
Using test equipment approved to GS38 confirm that the electricity supply is disconnected



NOTICE: COMPONENTS.

- ▶ After replacement of any components always check for gas tightness where relevant and carry out functional checks as described in Commissioning.
Damaged O-rings or gaskets must be replaced.



NOTICE: SERVICE WORK

- ▶ SERVICE WORK MUST **NOT** BE ATTEMPTED IF A CO/CO₂ ANALYSER IS **NOT** AVAILABLE.
- ▶ Service work must be carried out by a competent, registered gas engineer, such as a Gas Safe registered engineer or British Gas engineer!



After servicing, complete the relevant Service Interval Record section of the Benchmark Checklist located on the inside back pages of this document.

- To ensure the continued efficient operation of the appliance it must be checked at regular intervals.
- The frequency of servicing will depend upon the particular installation conditions and usage however, an annual service is recommended.
- The extent of the service required by the appliance is determined by the operating condition of the appliance when tested by fully qualified engineers.

Inspection

1. Check that the terminal and the terminal guard, if fitted, are clear from obstructions and undamaged.
2. If the appliance is in a compartment or cupboard check that the specified service space around the appliance is clear.
3. Check all the joints and connections in the system and remake any that show signs of leakage. Refill and re-pressurise if applicable as described in Commissioning.
4. Operate the appliance and take note of any irregularities. Call up the last fault stored by the Bosch Heatronic, Service Function '6A'. Refer to Fault Finding on page 39 for rectification procedures.

6.2 Service function

Setting boiler to maximum:

- ▶ Press and HOLD the Service engineer button [8] for 10 seconds and set Central Heating temperature to maximum.
The Service engineer button will illuminate continually.
The boiler will stay in this mode for 15 minutes unless the Service engineer button is pressed again.

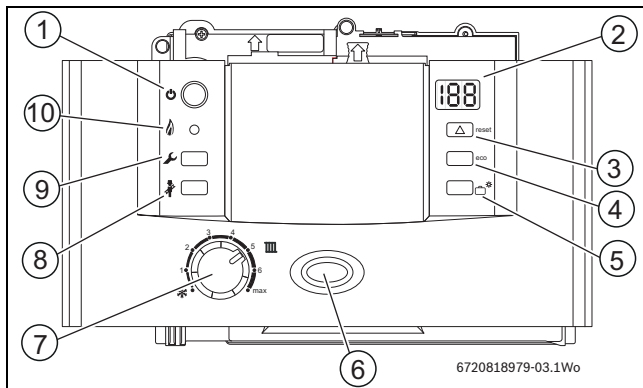


Fig. 40 Fascia guide

- [1] Master switch for ON/OFF
- [2] Display
- [3] Fault reset button
- [4] Not used
- [5] Not used
- [6] Mains ON/OFF indicator + fault diagnostic light (blue)
- [7] Temperature control
- [8] Service engineer button
- [9] Service menu button
- [10] Burner ON indicator light (green)

6.3 Service inspection

- ▶ Grip the outer sides of the front panel [1] pull away from the ball catches [2] and lift off the lugs [3]
- ▶ Remove retaining screw [4] to swing control panel assembly [5] outwards to its full extent.
- ▶ Release four screws [6] to remove the inner combustion cover [7].

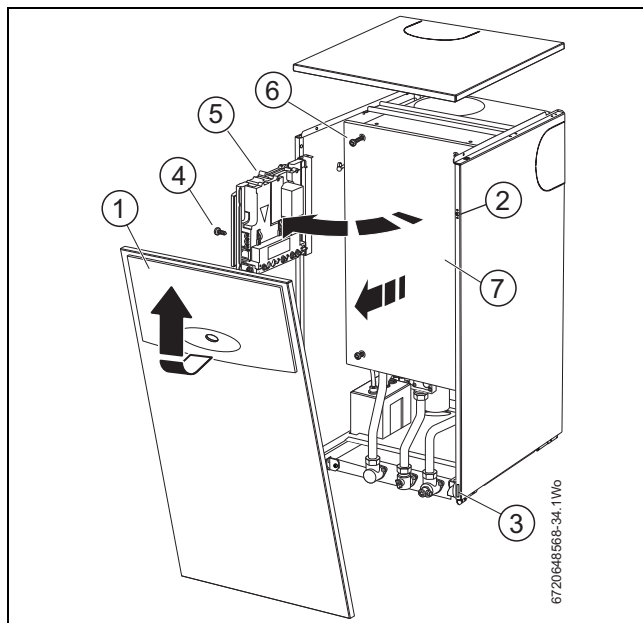


Fig. 41 Access for servicing

6.4 Fan pressure test

- ▶ Connect a manometer to the fan pressure test point, [1].
- ▶ Set the boiler to maximum output.
- ▶ After measurement replace test point cover.

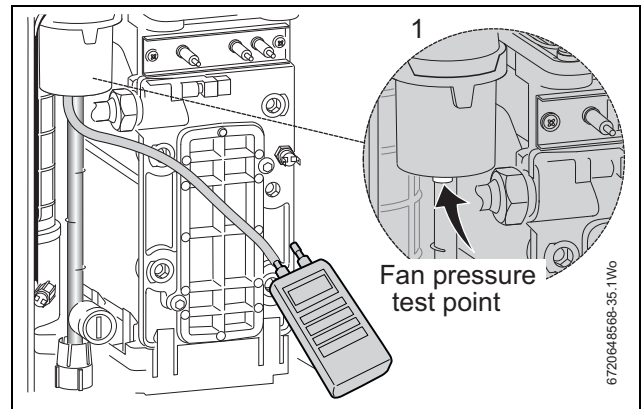


Fig. 42 Fan control pressure test



NOTICE: Fan pressure test

- ▶ The boiler must be run at maximum output for the fan pressure test.

With the boiler running at maximum output, measure the fan pressure:

- ▶ The pressure will read negative, refer to the chart in figure 43 below.

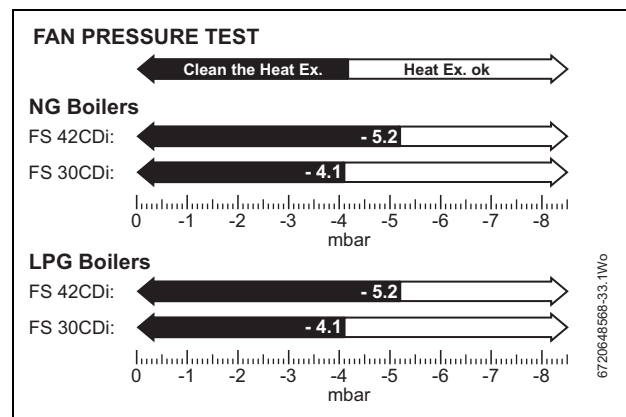


Fig. 43 Fan control pressure readings

- ▶ If the manometer reading is in the white area of the chart the heat exchanger/exhaust path/condensate trap does not require attention.
- ▶ If the manometer reading is in the black area of the chart then carry out the following checks:
 - Check that the condensate trap is not blocked.
 - Check the exhaust paths for restrictions.
 - Clean the heat exchanger with a suitable cleaning tool, refer to section 6.7 - Cleaning the heat exchanger.
- ▶ Re-check the fan pressure readings.

If the boiler, after completing the above checks, fails the fan pressure test then contact Worcester, Bosch Group for advice.

- ▶ After the measurements are taken switch the boiler off.
- ▶ Disconnect the manometer and replace the test point cover.

6.5 Checking the flue integrity



The appliance combustion cover must be fitted whilst this test is being performed.



Refit the test point caps after the test has been performed.

The integrity of the flue system and performance of the appliance can be checked via the sample points at the top left hand side of the combustion chamber, refer to figure 44.

- ▶ With the combustion cover fitted and the appliance running at maximum output, remove the cap from the air inlet sample point [1]
- ▶ Insert the analyser probe into the sample point
- ▶ Allow the readings to stabilise and check that:
 - O₂ is equal to or greater than 20.6%
 - CO₂ is less than 0.2%
- ▶ If the readings are outside these limits, then this indicates that there could be a problem with the flue system or combustion circuit.

6.6 Flue gas analysis



Ensure that the gas inlet pressure is correct before continuing, refer to section 5.5.1

Combustion test:

- ▶ Remove cap on the flue gas sample point [2], as shown below and connect a flue gas combustion analyser. Replace the cap after use.
- ▶ Press the Service engineer button for more than 10 seconds
- ▶ Turn the temperature control to maximum and the boiler will go to maximum output
- ▶ Run the boiler at maximum output for at least 10 minutes
- ▶ After 10 minutes, check the maximum CO/CO₂ readings against the information in table 13 on page 35
- ▶ Turn the temperature control down to minimum and allow the boiler to stabilise for 10 minutes
- ▶ After 10 minutes, check the minimum CO/CO₂ readings against the information in table 13 on page 35

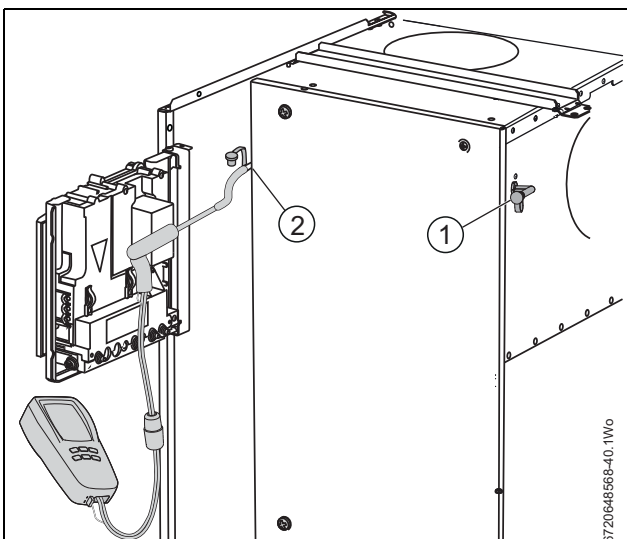


Fig. 44 Flue integrity test

- [1] Air inlet sample point
- [2] Flue gas sample point

If the boiler fails the combustion test, check the following possible causes:

- ▶ Refer to section 5.5.1 and check the gas inlet pressure
- ▶ Confirm the correct fan pressure.
- ▶ Air intake for restrictions.

- ▶ Check the diaphragm in the fan for damage, replace if damaged.
- ▶ Check the diaphragm for correct operation, the diaphragm opens towards the fan.
- ▶ Cleanliness of the heat cell, plus blockages in the condensate disposal.

6.7 Heat exchanger

6.7.1 To clean the burner



WARNING: Burner

- ▶ Do not remove the burner unless a new burner head gasket is available for re-assembly.

- ▶ Check that the boiler is completely isolated from the gas supply.
- ▶ Disconnect the mixing chamber from the fan.
- ▶ Remove the connector and earth wire from the fan.
- ▶ Remove the clips [1], castellated nuts [2a] and springs [2b] from the studs [2].
- ▶ Remove the rear nut [4a] from the rear stud [4].
- ▶ Remove the burner cover plate [5] and fan [7] from the top of the heat exchanger.
- ▶ Remove the burner [6] and clean the components.

Do not use a wire brush.

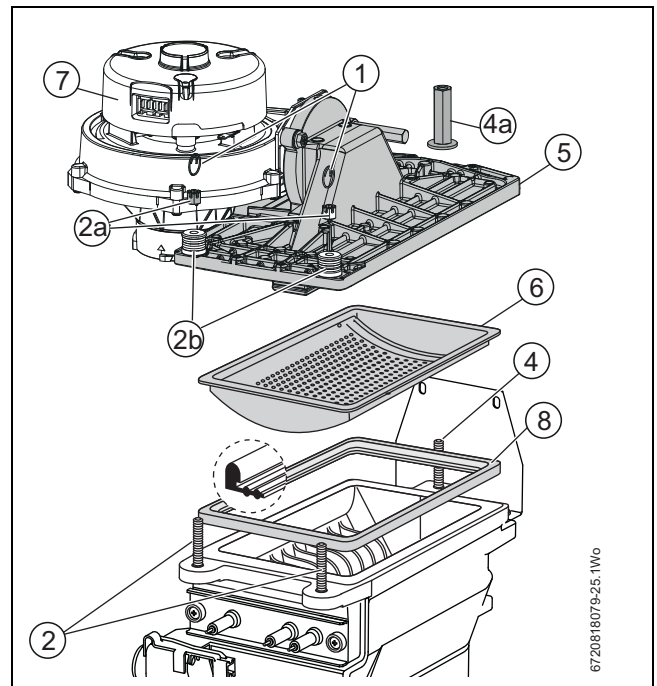


Fig. 45 Burner removal

6.7.2 To check the flap valve in the fan intake

- ▶ Refer to section 6.9.3 on page 36 for access to the fan intake.
- ▶ Carefully withdraw the flap valve from fan intake tube and check for soiling and splits, clean or replace as required.
- ▶ Take care when refitting the flap valve, the flaps must open upwards into the fan intake tube.
- ▶ After re-assembly check CO/CO₂ levels as described in the section "Setting the air/gas ratio" on page 34.

6.7.3 To clean the condensate trap

- ▶ Remove the condensate pump refer to page 36.
- ▶ Remove the screw retaining the trap
- ▶ Rotate the condensate trap anti-clockwise by 90°
- ▶ Pull the trap down from the sump connection
- ▶ Angle the trap backwards and remove from the boiler
- ▶ Release the cap and dispose of the debris into a suitable container
- ▶ Replace the cap
- ▶ Before replacing the trap, fill with at least 250ml of clean water
- ▶ Replacing the trap is the reverse of the removal procedure
- ▶ Reconnect the condensate pump and the pipe from the trap
- ▶ Reconnect the condensate disposal pipe

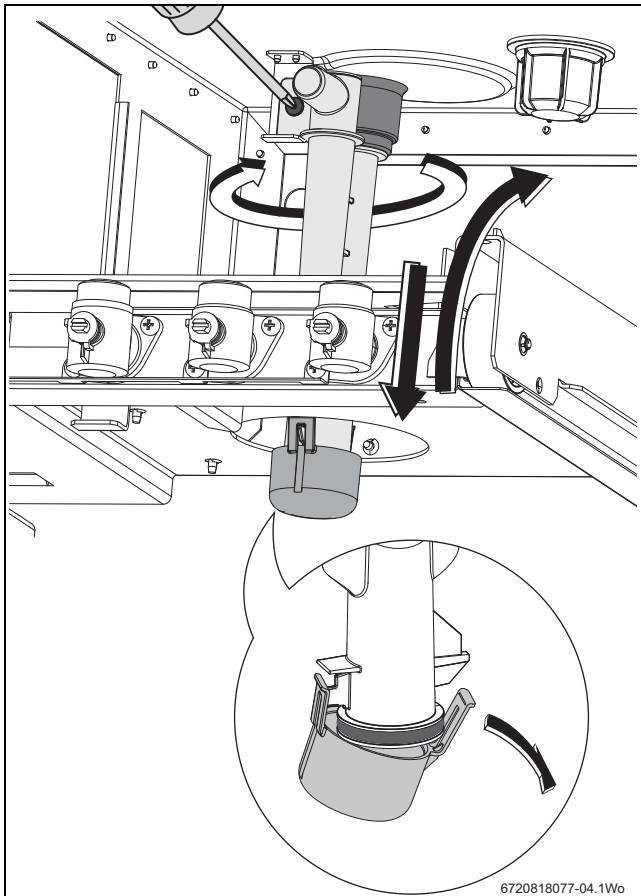


Fig. 46 Condensate trap access

6.7.4 Cleaning the heat exchanger



WARNING: Cleaning access cover

- ▶ Do not remove the cover unless a new gasket is available for re-assembly.



NOTICE: After completing the appliance service the CO/CO₂ must be checked and set to the limits in the section "AIR/GAS RATIO".



An accessory kit is available (No. 840) specifically designed for cleaning the heat exchanger containing: new seal, cleaning brush and knife/rasp. If required order 7 719 001 996.

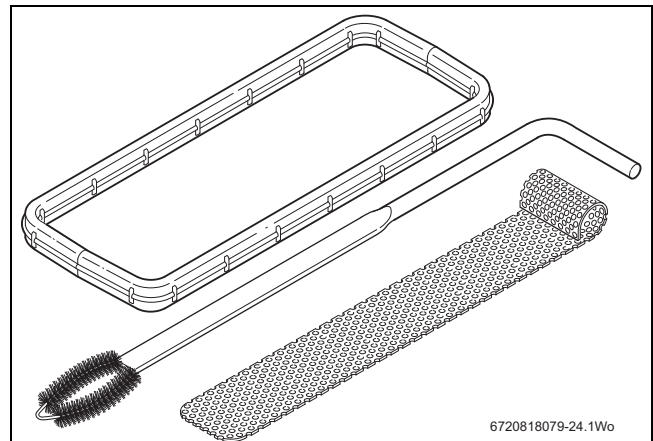


Fig. 47 Cleaning kit

If the Heat Exchanger requires cleaning:

- ▶ Remove the condensate trap.
- ▶ Remove the cleaning access cover [1] and seal [2].

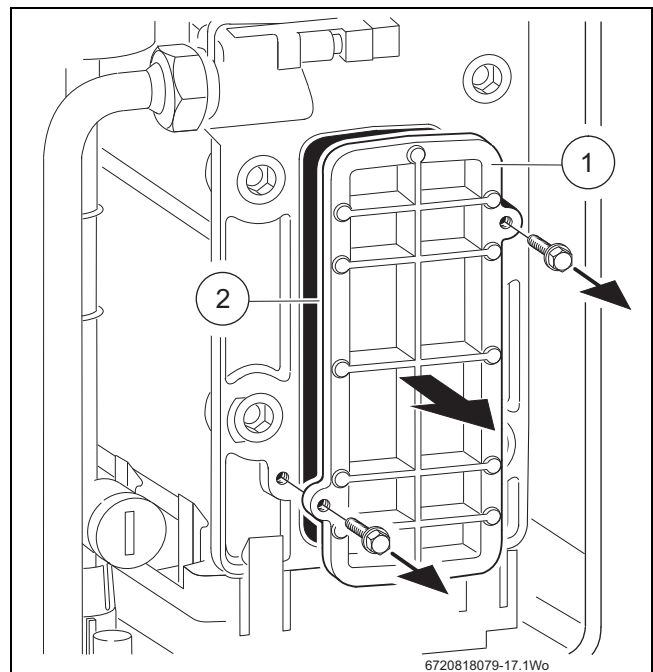


Fig. 48 Remove cover

- ▶ Press at the bottom to remove the metal plate [3], if fitted.

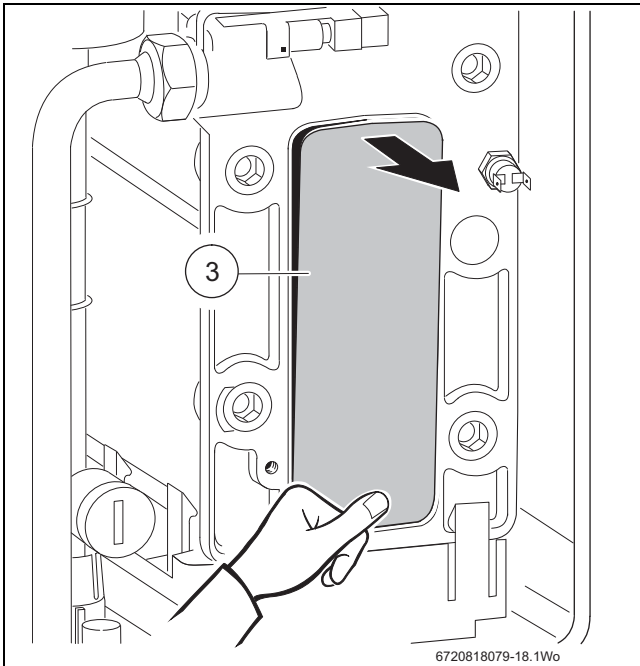


Fig. 49 Remove metal plate

- ▶ Using the cleaning blade, working from the bottom to the top, to loosen any deposits in the heat exchanger.

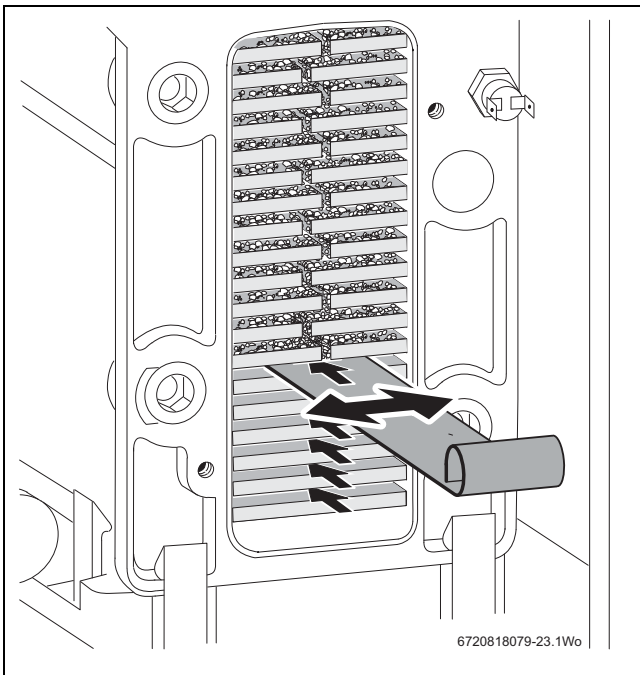


Fig. 50

- ▶ Using the brush, clean the heat exchanger from top to bottom.

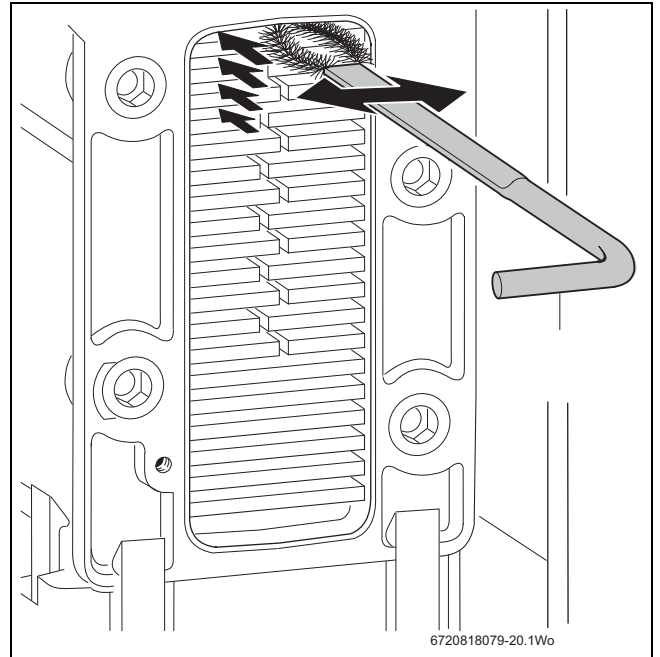


Fig. 51

- ▶ Use the handle of the brush to remove debris from the condensate tray.
- ▶ Place a suitable container under the sump condensate outlet to collect any water and debris.
- ▶ Pour water into the top of the heat exchanger to flush out the debris.

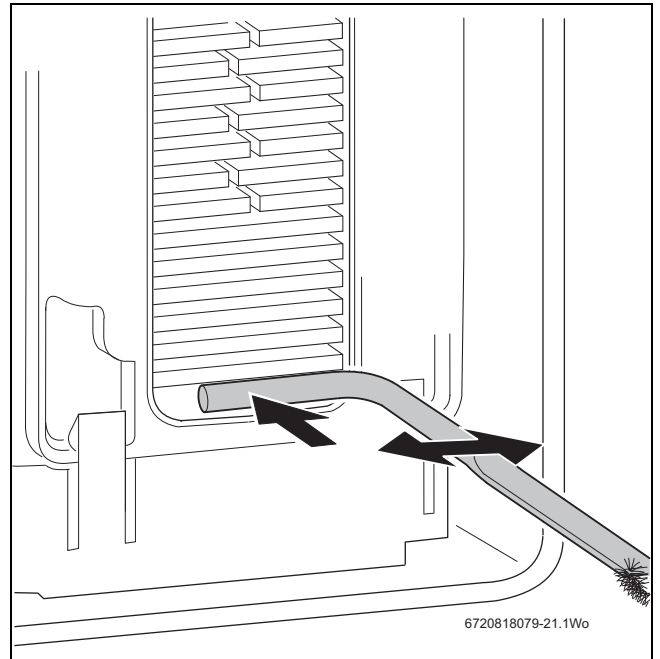


Fig. 52

- ▶ Refit the cleaning access cover assembly in reverse order, the metal plate [3] first, then the new seal [2], lastly the access cover [1].
- ▶ Refit the condensate trap.
- ▶ Pour 250ml of clean water into the heat exchanger to fill the condensate trap.

- ▶ Hand tighten the bolts and then use a spanner to tighten the bolts a further half turn.

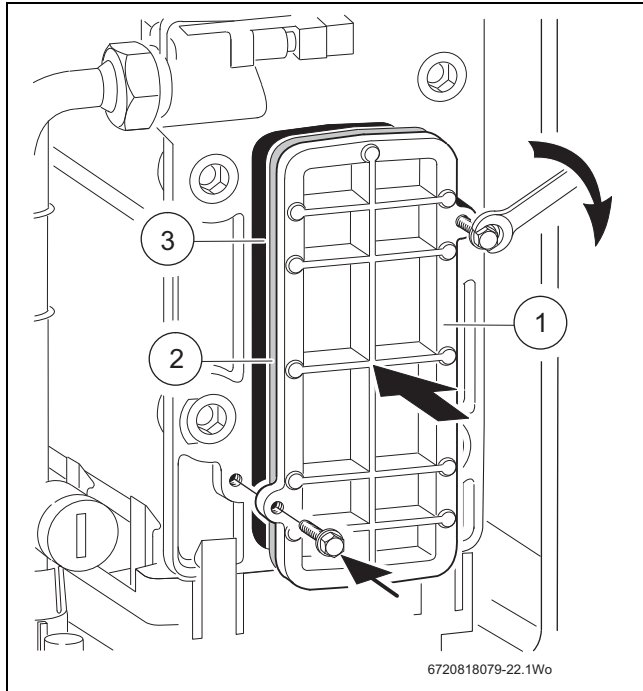


Fig. 53

6.7.5 Re-assembly of the burner cover

NOTICE: Burner gasket seal

- ▶ Always replace the burner seal with a new one when the joint has been disturbed.

- ▶ Refer to figure 45 and re-assemble the burner in reverse order
- ▶ Fit a new burner gasket seal [8].
- ▶ Refit the burner.
- ▶ Insert the burner cover under the rear nut [4a] and hand tighten.
- ▶ Assemble the washers/ spring [2b], and castellated nuts [2a], refer to figure 45, on to the studs [2] to secure the burner cover to the heat exchanger.
- ▶ Using a 10mm spanner, tighten the two castellated nuts [2a] until the burner cover bottoms out on the heat exchanger.
- ▶ Using a 13mm spanner tighten the rear nut [4a] until the burner cover bottoms out on the heat exchanger.
- ▶ The nuts will stop turning at this point, do not overtighten.
- ▶ If necessary, back the nuts off slightly until the hole for the clip [1] is visible.
- ▶ Insert the clips [1] and secure.
- ▶ After re-assembly check that the CO/CO₂ levels are as described in the section "Setting the air/gas ratio" on page 34.

6.8 Setting the air/gas ratio

NOTICE: SETTING THE AIR/GAS RATIO

- ▶ The air/gas ratio is factory set and should not normally need adjustment
- ▶ Only adjust if the values are still out of range when all other possible causes have been checked

NOTICE: COMBUSTION TESTING

- ▶ The setting of the air/gas ratio **must** be carried out by a competent registered gas engineer, such as a Gas Safe registered engineer or British Gas engineer. Setting of the air/gas ratio **must not** be attempted unless the person carrying out the test is equipped with a combustion analyser conforming to BS 7927 and is competent in its use.

i All CO/CO₂ readings must be taken with the combustion chamber cover ON. Adjustments can only be made with the cover off.

To set the maximum CO₂:

- ▶ To adjust the CO₂ it will be necessary to first operate the boiler at maximum output
- ▶ Press and hold down the Service engineer button [1] for 10 seconds
- ▶ Turn temperature control [2] to maximum, the boiler will then go to maximum output

i The control will resume normal operation after 15 minutes or if the Service engineer button [1] is pressed for more than one second.

- ▶ Remove the combustion chamber cover
- ▶ Remove plastic cap and using a flat bladed screwdriver
- ▶ Set the maximum CO₂ (+ or -) using the adjuster [3]
- ▶ Replace the combustion chamber cover
- ▶ Check the maximum CO₂ referring to table 13

i CO₂ should be measured 10 minutes after firing the boiler

- ▶ Check the CO is less than 200ppm
- ▶ If further adjustment is required, remove the combustion chamber cover and set adjuster [3] as necessary
- ▶ Replace the cover and check the maximum CO₂ again

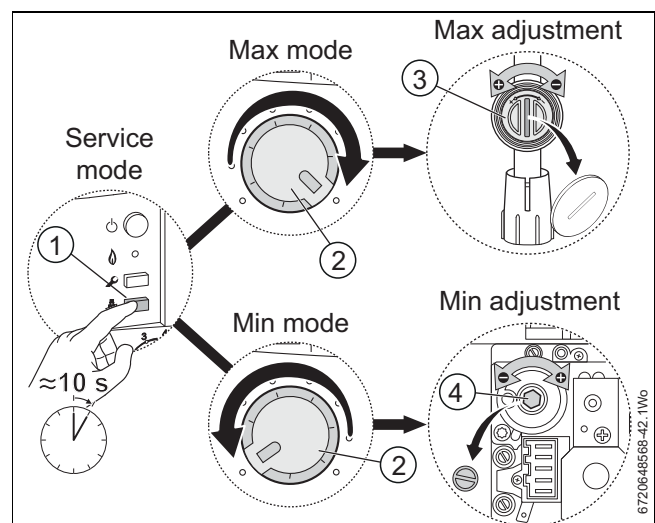


Fig. 54 Setting air/gas ratio

To set the minimum CO₂:

- ▶ Turn the temperature control [2] to minimum. This will make the boiler go to minimum output, allow the output to settle for approximately 10 minutes
- ▶ Remove the dust cap and adjust [4] on the gas valve
- ▶ Measure the minimum CO₂ and compare with the minimum output shown on the table 13
- ▶ Check that the CO is less than 200ppm
- ▶ Repeat the procedure until the correct output is achieved

Confirm the maximum CO₂

- ▶ Turn temperature control to maximum output and recheck the CO₂. If correct, hold down the Service engineer button [1] for two seconds, the boiler should return to normal operating mode with the blue power indicator permanently illuminated
- ▶ Remove the flue gas analyser
- ▶ Replace the cap over the flue gas sample point
- ▶ Remove the combustion chamber cover
- ▶ Replace the dust cover over the minimum output adjuster [4]
- ▶ Fit a new plastic sealing cover to maximum outlet adjuster [3]
- ▶ Replace the combustion chamber cover

GAS TYPE	CO ₂ max setting	CO ₂ min setting
The CO₂ should be measured after 10 minutes		
Greenstar FS 30CDi		
Natural Gas	9.4 ±0.2%	8.6 ±0.2%
LPG (propane)	10.8 ±0.2%	10.4 ±0.2%
Greenstar FS 42CDi		
Natural Gas	9.4 ±0.2%	9.0 ±0.2%
LPG (propane)	10.8 ±0.2%	10.4 ±0.2%
CO - less than 200 ppm (0.002 ratio)		

Table 13 CO/CO₂ settings

6.9 Replacement parts



CAUTION: Isolate the boiler

- ▶ Turn off the gas supply and isolate the mains electrical supply before starting any work and observe all relevant safety precautions.
- ▶ Drain the boiler/system where necessary and protect any electrical equipment from water ingress during component replacement.



NOTICE: Gaskets and O rings

- ▶ Refit or replace any components removed from the appliance in the reverse order using new gaskets/'O' rings/sealant/heat transfer paste where necessary.
- ▶ Any 'O' ring or gasket that appears damaged must be replaced. Always check that any electrical connections are correctly made and that all screws are tight.



NOTICE: AFTER REPLACEMENT OF ANY COMPONENTS ALWAYS CHECK FOR GAS TIGHTNESS WHERE RELEVANT AND CARRY OUT FUNCTIONAL CHECKS AS DESCRIBED IN THE COMMISSIONING SECTION.



NOTICE: Service work

- ▶ Any service work must be carried out by competent registered gas engineer, such as a British Gas or other GAS SAFE registered engineer.
- ▶ After re-assembly the combustion must be checked using the procedure in the section "Setting the air/gas ratio". Measurement and setting of the gas ratio must not be attempted unless the person is equipped with a combustion analyser conforming to BS 7927 and is competent in its use.

6.9.1 Draining the appliance:

- ▶ Turn off the system heating flow and return stop cocks - external to boiler.
- ▶ Using a suitable hose, attach one end to the drain tap on the boiler return elbow and lead the other end of the hose to an external drain point.
- ▶ Fully open the drain tap on the boiler return elbow.
- ▶ Close the drain tap when the flow from the appliance has stopped and remove the hose.



A small quantity of water may remain in some components even after the appliance has been drained. Protect any electrical components when removing components from the water circuits.

6.9.2 PCB control board

Access to boiler control components

- ▶ Remove screws [1] to release the cover from the controller.

PCB Fuse

- ▶ Remove the fuse [2] and replace with a spare that is clipped on the inside of the controller cover.

PCB

- ▶ Disconnect all electrical connections from the control board.
- ▶ Remove the screws [3] retaining the rear panel of the control and remove the panel.
- ▶ After re-assembly check that the CO/CO₂ levels are as described in the section "Setting the air/gas ratio" on page 34.

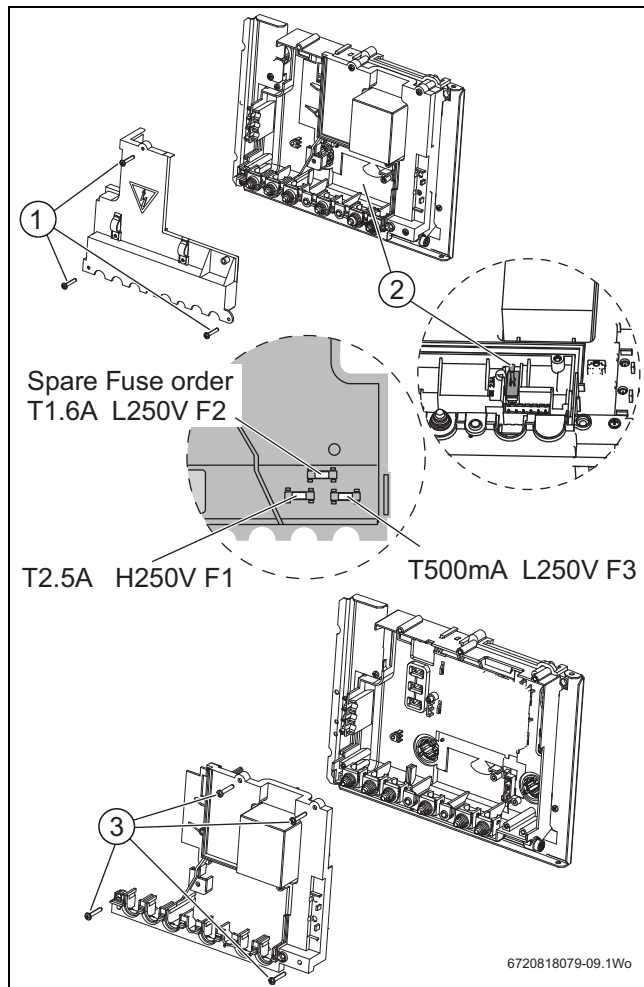


Fig. 55 PCB

6.9.3 Fan assembly:

i Do not attempt to service the fan assembly and flap valve if a CO/CO₂ analyser is not available.

- ▶ Undo lower pipe union on gas pipe [5].
- ▶ Twist the mixer unit [4] with gas pipe [5] to separate from fan [1].
- ▶ Remove fan lead and earth connector.
The earth connector has a positive clip fixing.
- ▶ Remove fixing screws [3] attaching fan [1] to the burner cover [2].
- ▶ Remove fan [1].
- ▶ After re-assembly check that the CO/CO₂ levels are as described in the section "Setting the air/gas ratio".

Flap Valve:

- ▶ Undo lower pipe union on gas pipe [5].
- ▶ Remove pipe [5] by pushing upwards and towards the rear of the boiler.
- ▶ Twist the mixer unit [4] with gas pipe [5] to separate from the fan [1].
- ▶ Remove flap valve [6] from within fan intake [1] and replace.

i Ensure the flap valve is fitted correctly with rubber flap upwards.

- ▶ After re-assembly check that the CO/CO₂ levels are as described in the section "Setting the air/gas ratio" on page 34.

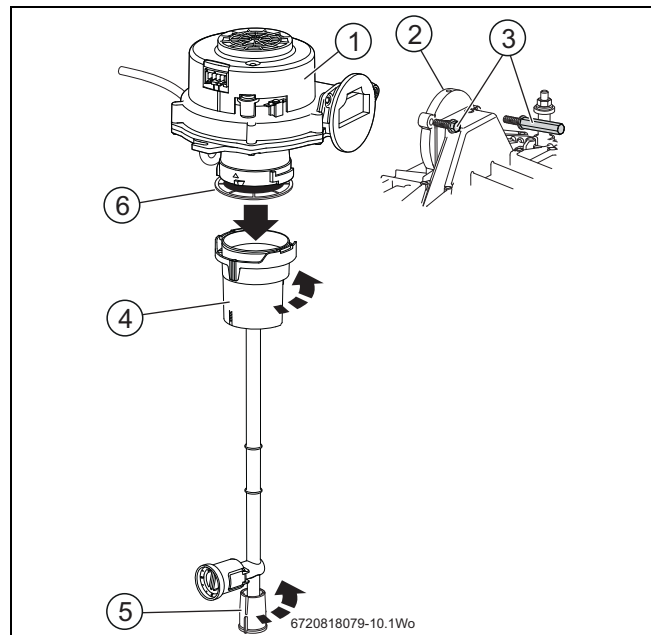


Fig. 56 Fan assembly

6.9.4 Condensate pump:

- ▶ Disconnect the electrical connections in the control box, see wiring schematic in the 'Fault finding and Diagrams' section.
- ▶ Remove the 15mm flexible tube [1] from the pump by rotating anti-clockwise and pulling up.
- ▶ Remove the black flexible pipe [2] from the condensate pump. Take care as there maybe condensate remaining in the pipe.
- ▶ Carefully remove the condensate pump [3] from the boiler and pour any excess condensate into a suitable container for safe disposal.

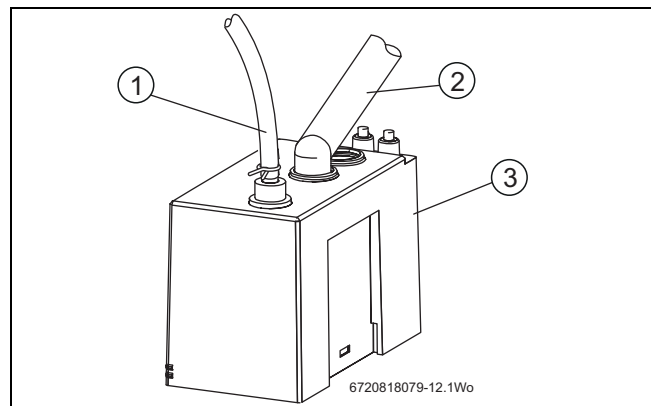


Fig. 57 Condensate pump

6.9.5 Sample points:

Air sampling point [1]

See section 6.5 on page 31, Checking flue integrity

Flue Gas sampling point [2]

See section 6.6 on page 31, Flue gas analysis

6.9.6 Sensors:

- ▶ Check that the appliance is electrically isolated.

Flow temperature sensor [3]

- ▶ Remove the connector.
- ▶ Release the sensor clip and withdraw the sensor.
- ▶ Apply heat transfer paste to the replacement sensor.

Safety temperature limiter [4]

- ▶ Remove the connectors.
- ▶ Unscrew the sensor.

Flue Temperature limiter [5]

- ▶ Remove the connector.
- ▶ Using a small terminal screwdriver, prise the sensor and grommet from the plastic housing. Take care not to damage the plastic housing.

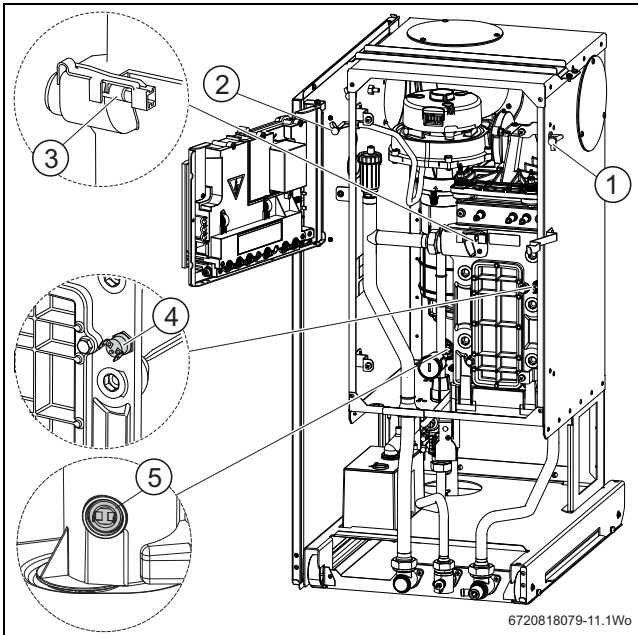


Fig. 58 Sensors

6.9.7 Condensate trap:

- ▶ Remove the condensate pump, refer to page 36.
- ▶ Remove the screw retaining the trap
- ▶ Rotate the condensate trap anti-clockwise by 90°
- ▶ Pull the trap down from the sump connection
- ▶ Angle the trap backwards and remove from the boiler
- ▶ Before replacing the trap, fill with at least 250ml of clean water
- ▶ Replacing the trap is the reverse of the removal procedure
- ▶ Reconnect the condensate pump and reconnect the pipe from the trap
- ▶ Reconnect the condensate disposal pipe

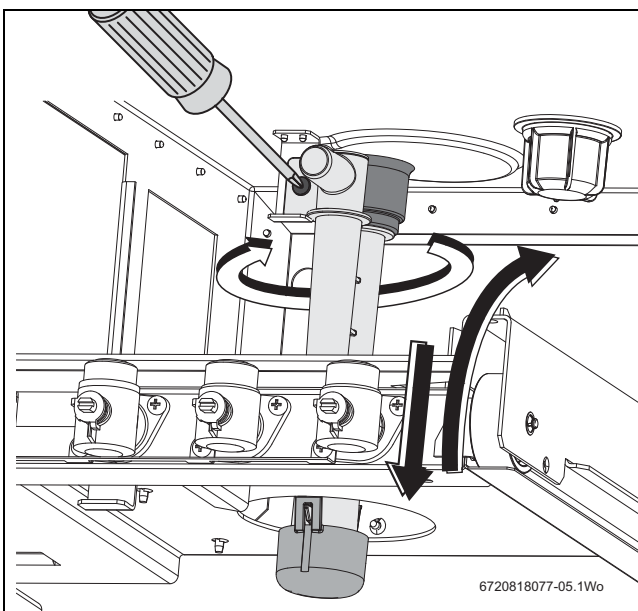


Fig. 59 Condensate trap access

6.9.8 Gas valve:

- ▶ Check that the gas cock is turned off.
- ▶ Disconnect the black rubber tube [1] from the gas valve.
- ▶ Remove the solenoid connections [2] at the side of the gas valve.
- ▶ Release the gas inlet union [3] at the inlet.
- ▶ Undo the union [4], within the inner casing, securing the valve to the gas/air tube.
- ▶ Transfer the inlet pipe assembly to the new gas valve.
- ▶ Reconnect the plastic union [4] to the gas valve.
- ▶ Reconnect the solenoid connection [2].
- ▶ Re-attach the black rubber tube [1] to the gas valve
- ▶ Check for gas tightness when the new gas valve has been fitted.
- ▶ After re-assembly check CO/CO₂ levels as described in the section "Setting the air/gas ratio" on page 34.

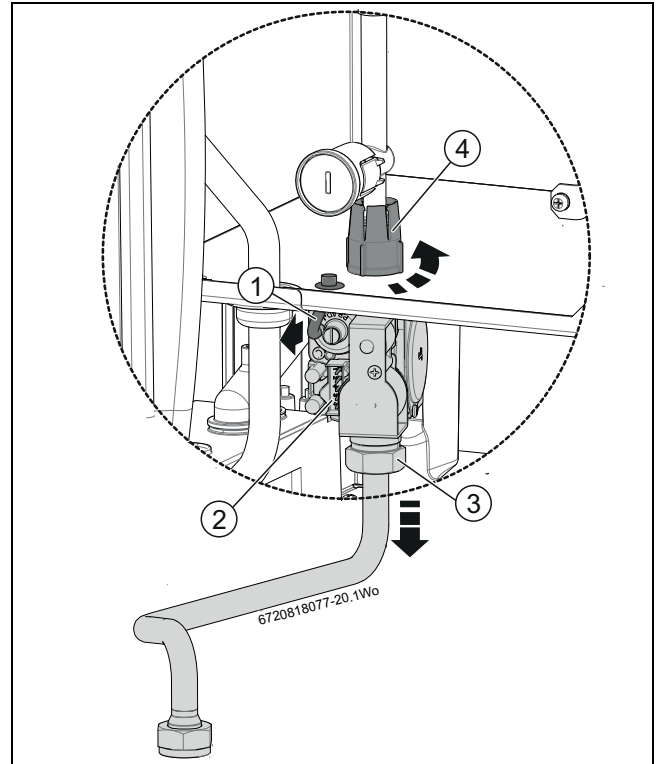


Fig. 60 Gas valve

6.9.9 Electrode assembly and heatshield:

WARNING: Electrode assembly

- ▶ Do not remove the electrode assembly unless a new gasket is available for re-assembly.

- ▶ Switch off the master switch.
- ▶ Isolate the appliance from the power supply.
- ▶ Move the control panel into service position.
- ▶ Release the 4 screws to remove inner case door.
- ▶ Remove the leads from the electrodes.
- ▶ Unscrew the two fixing screws [2] and carefully remove the electrode assembly [1].
- ▶ Inspect the spark/flame electrode assembly and ceramics for signs of contamination or damage, replace as necessary.
- ▶ Re-assemble the electrode set with a new gasket and secure with the screws [2] removed earlier.
- ▶ After re-assembly check that the CO/CO₂ levels as described in the section "Setting the air/gas ratio" on page 34.

6.9.10 Burner

WARNING: Burner

▶ Do not remove the burner unless a new gasket is available for re-assembly.

- ▶ Turn the gas cock and the master switch to their OFF positions.
- ▶ Isolate the appliance from the power supply.
- ▶ Remove the clips [3a], castellated nuts [3b] and springs [3c] from the studs [3].
- ▶ Remove the nut [4a] from the rear stud [4].
- ▶ Disconnect the mixer unit from the fan.
- ▶ Remove the connector and earth wire from the fan.
- ▶ Remove the burner cover plate [5] and fan assembly [6].
- ▶ Remove the burner [7].
- ▶ Re-assemble the new burner in reverse order.
- ▶ Replace the burner seal [8] with a new one.
- ▶ Refer to the section "Re-assembly of the burner cover" on page 34.
- ▶ After re-assembly check that the CO/CO₂ levels as described in the section "Setting the air/gas ratio" on page 34

6.9.11 Primary heat exchanger:

- ▶ Isolate the appliance from the power supply.
- ▶ Turn off all the isolation valves.
- ▶ Drain down the appliance.
- ▶ Move the control panel into the service position.
- ▶ Remove the inner case door.
- ▶ Remove the fan assembly, burner, and gas mixing unit.
- ▶ Disconnect and remove the sensors connected to heat exchanger.
- ▶ Remove the condensate trap.
- ▶ Remove the internal flue elbow and tube from the boiler sump.
- ▶ Release the return pipe union [10] at the base of the heat exchanger.
- ▶ Remove the plastic nut [11] from the base of the inner casing.
- ▶ Release the retaining bracket [9] from the inner chassis
- ▶ Remove the heat exchanger from inner casing.
- ▶ Ensure that heat conductive paste is used on sensors when refitting.
- ▶ Check the seals and replace if necessary.
- ▶ After re-assembly check that the CO/CO₂ levels are as described in the section "Setting the air/gas ratio" on page 34.

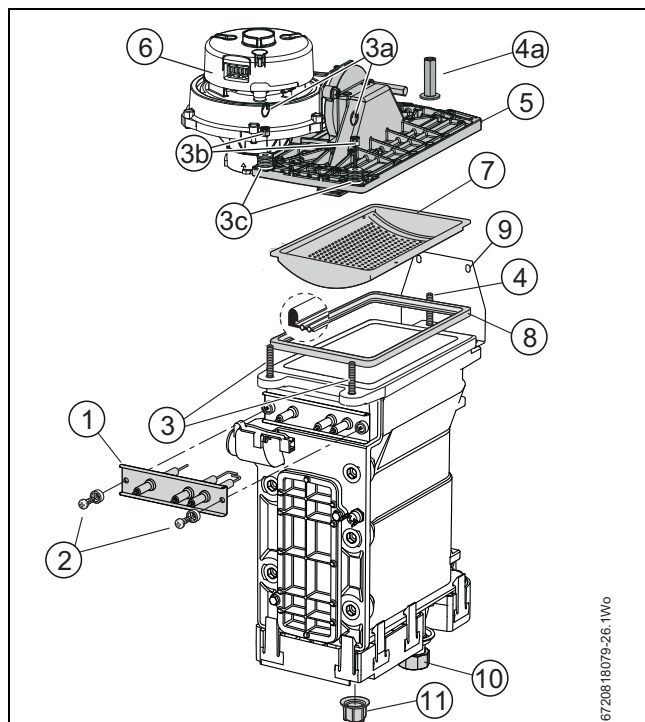


Fig. 61 Primary heat exchanger

6.10 Short parts list

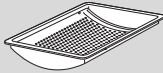
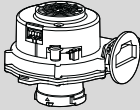

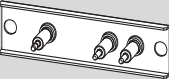
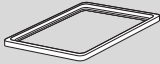
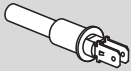

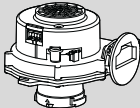
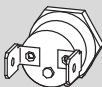
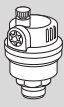
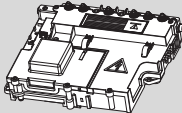
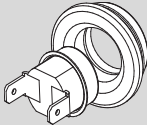
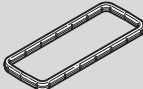
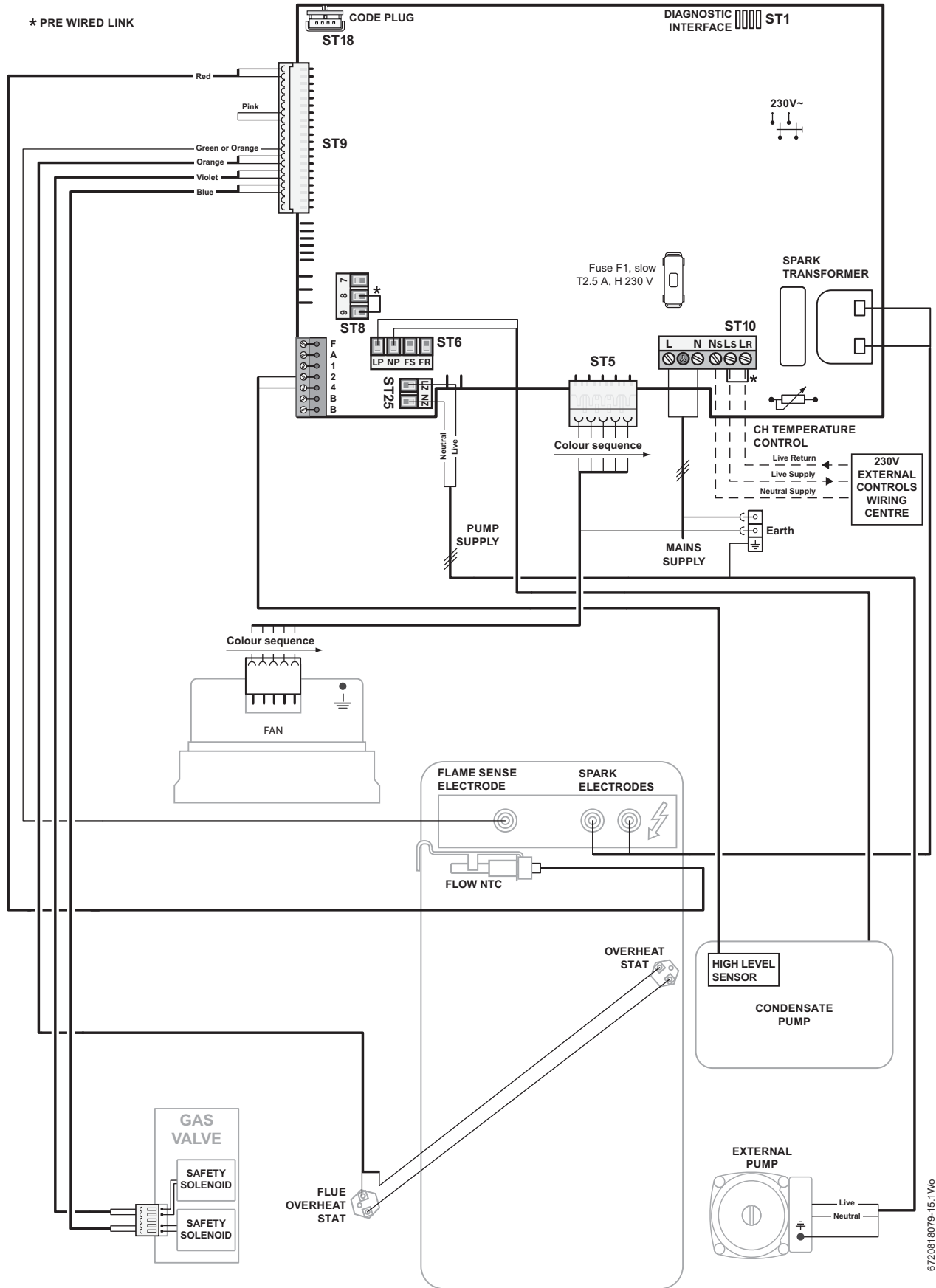
	Burner 8 737 703 148 GC No. E27 200
	Fan 42kW 8 718 644 395 0
	Gas valve 8 716 118 167 GC No. H56 469
	Set of electrodes including seal 8 718 664 301 0
	Burner seal 8 711 004 168 0 GC No. E27 201
	Flow NTC 8 714 500 087 0 GC No. E74 536
	Condensate pump 8 716 114 077 0 GC No. H66 921
	Fan 30kW 8 716 117 325 GC No. E74-539
	Heat exchanger overheat stat 8 714 500 056 GC No. H08 291
	Auto air vent 8 718 505 041 0 GC No. E00 717
	Control unit 8 717 207 833 0
	Flue overheat stat 8 710 506 267
	Heat exchanger inspection cover seal 8 710 103 153 0

Table 14 Short parts list

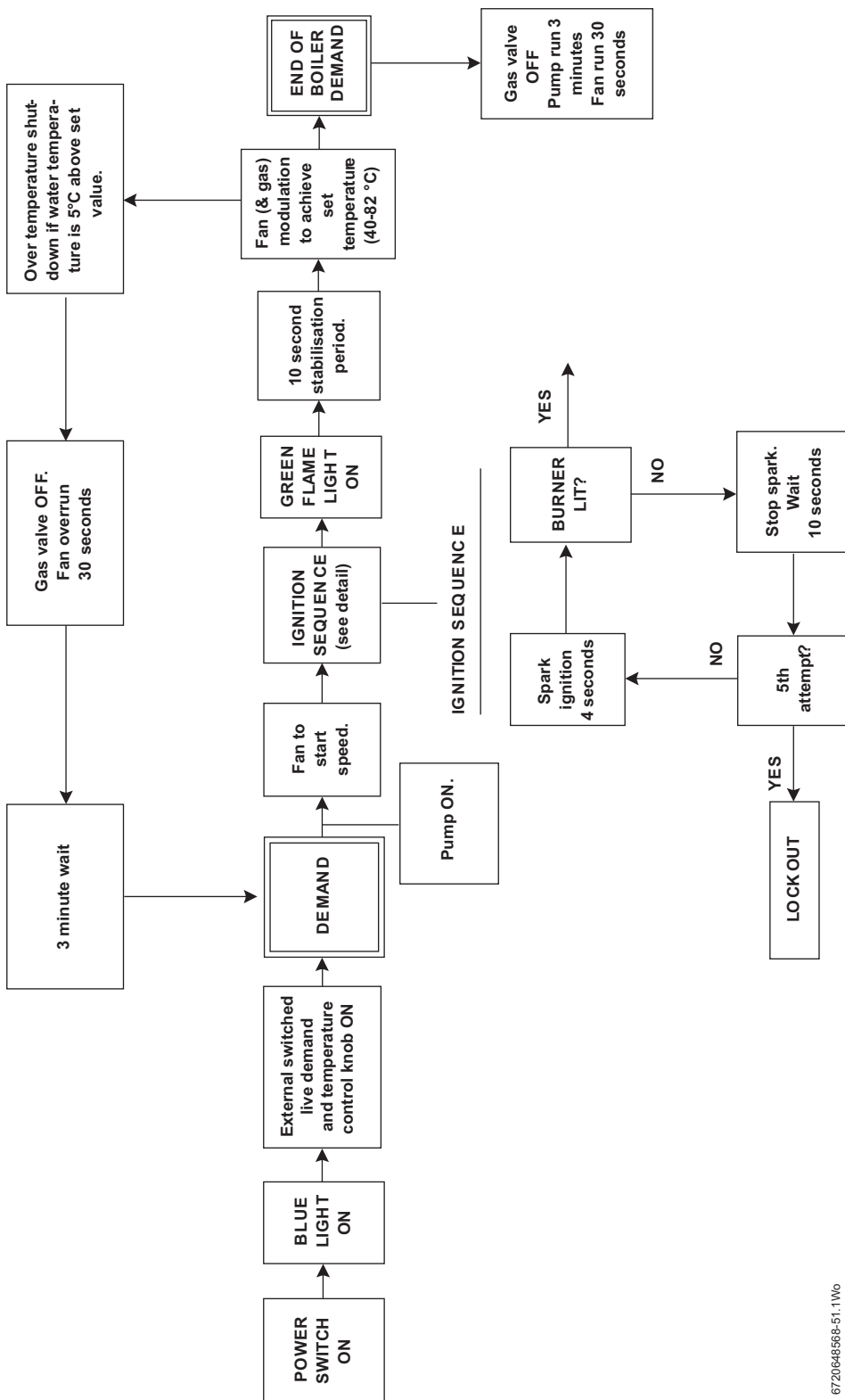
7 FAULT FINDING AND DIAGRAMS

7.1 Electrical wiring diagram



6720818079-15.1W0

7.2 Boiler function



6720648568-51-1Wo

7.3 Fault finding



- ▶ This fault finding information is for guidance only. Worcester Bosch cannot be held responsible for costs incurred by persons not deemed to be competent.
- ▶ The electronic control system for this boiler incorporates a blue central indicator. This normally confirms the permanent mains supply, but, by flashing during a fault, provides a guide to the cause as listed.

BOILER - FAULTS AND CONDITIONS		
Display code:	Fault description	Check, repair/replace as necessary
A8	EMS communication error	Check all electrical connections, replace control board.
b1	Code plug not detected	Insert code plug correctly, test and replace as necessary.
b2, b3, b4, b5, b6	Data error	Replace control board.
b7	Burner control error	Replace control board.
C6	Fan defect	Check fan, lead, and connector, replace as necessary.
d3	External temp limiter	Connect terminals 8 & 9 on ST8.
d5	Condensate pump failure	See condensate pump table.
EA	Flame not detected	Check gas is present, ignition electrodes and harness, flame sense electrode and harness, and operation of gas valve. Replace as necessary.
E2	Primary NTC defect	Check primary NTC sensor and leads, resistance across NTC should be between 36k to 1k Ω
E9	OH stat tripped	Check system pressure, overheat thermostat, and pump operation. Replace as necessary
F0	Internal error	Check all electrical connections, replace control board as necessary.
F1	ROM error check	Check all electrical connections, replace control board as necessary.
F7	Flame detected after appliance shut off	Check flame sense electrode and harness, and control board for signs of water damage. Replace as necessary
FA	Flame detected after gas shut off	Check flame sense electrode and harness, and control board for signs of water damage. Check gas valve operation. Replace as necessary
Fd	Reset button pressed	Press reset button again

Preliminary checks:

Preliminary electrical system checks are the first electrical checks to be carried out during a fault finding procedure.

On completion of the Service/Fault finding task which has required the breaking and remaking of electrical connections, check:

- a) EARTH CONTINUITY, b) SHORT CIRCUIT CHECK, c) POLARITY, d) RESISTANCE TO EARTH.

Condensate pump Indicator lights

The condensate pump has indicator lights that show the operation status or a fault condition.

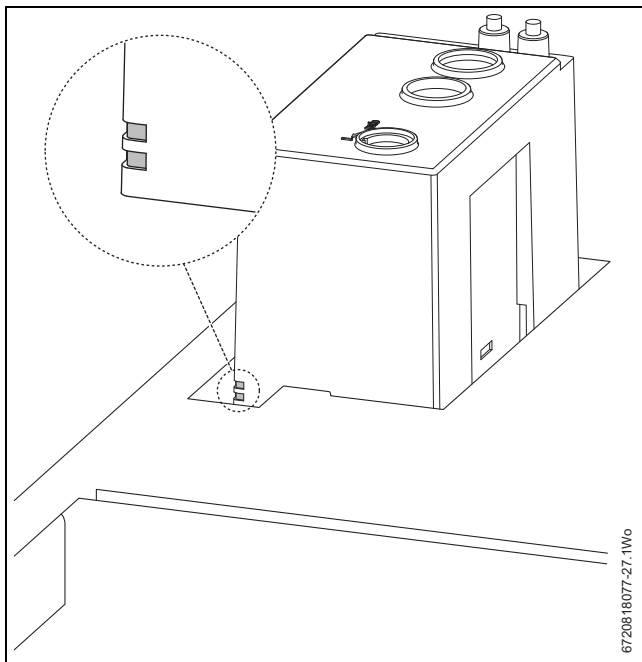


Fig. 62 Condensate pump indicator lights

CONDENSATE PUMP - OPERATING LIGHTS AND FAULT CONDITIONS:			
Ready for operation = Steady green light			
Fault = Red light Pump running = Flashing green light			
Operating lamps		Cause	Solution
Green	Red		
Off	Off	Mains supply not connected Power failure	Connect mains supply Check mains and fuse/ circuit breaker
Flashing	Flashing	Dry-run (possible air in pump)	Pump restarts automatically after one minute
On	Flashing	Pump blocked	Visually inspect the pump inlet and tank. Remove or rinse out any dirt or foreign bodies
On	On	Level exceeds alarm level	Discharge hose or non- return valve blocked Possible kink in discharge hose (clean or remove kink if applicable)
Off	Flashing	Pump blocked and alarm level exceeded	Visually inspect the pump inlet and tank. Remove or rinse out any dirt or foreign bodies

GAS BOILER SYSTEM COMMISSIONING CHECKLIST (for installations up to 70kW net input)

This Commissioning Checklist is to be completed in full by the competent person who commissioned the boiler as a means of demonstrating compliance with the appropriate Building Regulations and then handed to the customer to keep for future reference.

Failure to install and commission according to the manufacturer's instructions and complete this Benchmark Commissioning Checklist will invalidate the warranty. This does not affect the customer's statutory rights.

Customer name:				Telephone number:			
Address:							
Boiler make and model:							
Boiler serial number:							
Commissioned by (PRINT NAME):				Gas Safe register number:			
Company name:				Telephone number:			
Company address:							
				Commissioning date:			
To be completed by the customer on receipt of a Building Regulations Compliance Certificate*							
Building Regulations Notification Number (if applicable):							
CONTROLS (tick the appropriate boxes)							
Time and temperature control to heating		Room thermostat and programmer/timer		Programmable room thermostat			
		Load/weather compensation		Optimum start control			
Time and temperature control to hot water		Cylinder thermostat and programmer/timer		Combination Boiler			
Heating zone valves		Fitted		Not required			
Hot water zone valves		Fitted		Not required			
Thermostatic radiator valves		Fitted		Not required			
Automatic bypass to system		Fitted		Not required			
Boiler interlock				Provided			
ALL SYSTEMS							
The system has been flushed and cleaned in accordance with BS7593 and boiler manufacturer's instructions						Yes	
What system cleaner was used?							
What inhibitor was used?						Quantity	
						litres	
Has a primary water system filter been installed?						Yes	
						No	
CENTRAL HEATING MODE measure and record:							
Gas rate		m ³ /hr		OR		ft ³ /hr	
Burner operating pressure (if applicable)		mbar		OR Gas inlet pressure		mbar	
Central heating flow temperature						°C	
Central heating return temperature						°C	
COMBINATION BOILERS ONLY							
Is the installation in a hard water area (above 200ppm)?						Yes	
						No	
If yes, and if required by the manufacturer, has a water scale reducer been fitted?						Yes	
						No	
What type of scale reducer has been fitted?							
DOMESTIC HOT WATER MODE Measure and Record:							
Gas rate		m ³ /hr		OR		ft ³ /hr	
Burner operating pressure (at maximum rate)		mbar		OR Gas inlet pressure at maximum rate		mbar	
Cold water inlet temperature						°C	
Hot water has been checked at all outlets						Yes	
						Temperature	
						°C	
Water flow rate						l/min	
CONDENSING BOILERS ONLY							
The condensate drain has been installed in accordance with the manufacturer's instructions and/or BS5546/BS6798						Yes	
ALL INSTALLATIONS							
Record the following:		At max. rate:		CO		ppm	
		AND		CO/CO ₂		Ratio	
		At min. rate: (where possible)		CO		ppm	
		AND		CO/CO ₂		Ratio	
The heating and hot water system complies with the appropriate Building Regulations						Yes	
The boiler and associated products have been installed and commissioned in accordance with the manufacturer's instructions						Yes	
The operation of the boiler and system controls have been demonstrated to and understood by the customer						Yes	
The manufacturer's literature, including Benchmark Checklist and Service Record, has been explained and left with the customer						Yes	
Commissioning Engineer's Signature							
Customer's Signature							
(To confirm satisfactory demonstration and receipt of manufacturer's literature)							

*All installations in England and Wales must be notified to Local Authority Building Control (LABC) either directly or through a Competent Persons Scheme. A Building Regulations Compliance Certificate will then be issued to the customer.



SERVICE RECORD

It is recommended that your heating system is serviced regularly and that the appropriate Service Interval Record is completed.

Service Provider

Before completing the appropriate Service Record below, please ensure you have carried out the service as described in the manufacturer's instructions. Always use the manufacturer's specified spare part when replacing controls.

SERVICE 01					Date:
Engineer name:					
Company name:					
Telephone No:					
Gas safe register No:					
Record:	At max. rate:	CO	ppm	AND	CO ₂ %
	At min. rate: (Where Possible)	CO	ppm	AND	CO ₂ %
Comments:					
Signature					

SERVICE 02					Date:
Engineer name:					
Company name:					
Telephone No:					
Gas safe register No:					
Record:	At max. rate:	CO	ppm	AND	CO ₂ %
	At min. rate: (Where Possible)	CO	ppm	AND	CO ₂ %
Comments:					
Signature					

SERVICE 03					Date:
Engineer name:					
Company name:					
Telephone No:					
Gas safe register No:					
Record:	At max. rate:	CO	ppm	AND	CO ₂ %
	At min. rate: (Where Possible)	CO	ppm	AND	CO ₂ %
Comments:					
Signature					

SERVICE 04					Date:
Engineer name:					
Company name:					
Telephone No:					
Gas safe register No:					
Record:	At max. rate:	CO	ppm	AND	CO ₂ %
	At min. rate: (Where Possible)	CO	ppm	AND	CO ₂ %
Comments:					
Signature					

SERVICE 05					Date:
Engineer name:					
Company name:					
Telephone No:					
Gas safe register No:					
Record:	At max. rate:	CO	ppm	AND	CO ₂ %
	At min. rate: (Where Possible)	CO	ppm	AND	CO ₂ %
Comments:					
Signature					

SERVICE 06					Date:
Engineer name:					
Company name:					
Telephone No:					
Gas safe register No:					
Record:	At max. rate:	CO	ppm	AND	CO ₂ %
	At min. rate: (Where Possible)	CO	ppm	AND	CO ₂ %
Comments:					
Signature					

SERVICE 07					Date:
Engineer name:					
Company name:					
Telephone No:					
Gas safe register No:					
Record:	At max. rate:	CO	ppm	AND	CO ₂ %
	At min. rate: (Where Possible)	CO	ppm	AND	CO ₂ %
Comments:					
Signature					

SERVICE 08					Date:
Engineer name:					
Company name:					
Telephone No:					
Gas safe register No:					
Record:	At max. rate:	CO	ppm	AND	CO ₂ %
	At min. rate: (Where Possible)	CO	ppm	AND	CO ₂ %
Comments:					
Signature					

SERVICE 09					Date:
Engineer name:					
Company name:					
Telephone No:					
Gas safe register No:					
Record:	At max. rate:	CO	ppm	AND	CO ₂ %
	At min. rate: (Where Possible)	CO	ppm	AND	CO ₂ %
Comments:					
Signature					

SERVICE 10					Date:
Engineer name:					
Company name:					
Telephone No:					
Gas safe register No:					
Record:	At max. rate:	CO	ppm	AND	CO ₂ %
	At min. rate: (Where Possible)	CO	ppm	AND	CO ₂ %
Comments:					
Signature					

*All installations in England and Wales must be notified to Local Authority Building Control (LABC) either directly or through a Competent Persons Scheme. A Building Regulations Compliance Certificate will then be issued to the customer.



Worcester, Bosch Group
Cotswold Way, Warndon, Worcester WR4 9SW.
Tel. 0330 123 9559

Worcester, Bosch Group is a brand name of Bosch Thermotechnology Ltd.
worcester-bosch.co.uk

6720818079 (2016/04)

WORCESTER, BOSCH GROUP:

TECHNICAL SUPPORT: 0330 123 3366
APPOINTMENTS: 0330 123 9339
SPARES: 0330 123 9779
LITERATURE: 0330 123 9119
TRAINING: 0330 123 0166
SALES: 0330 123 9669

