

Installation, servicing and user instructions

Wood burning stove

# Greenstyle Bewdley

## 3, 5 & 8




 **WORCESTER**  
Bosch Group

1. KEY TO SYMBOLS AND SAFETY INSTRUCTIONS .....	3
2. APPLIANCE INFORMATION .....	4
3. USER INFORMATION .....	4-5
4. INSTALLATION .....	6-22
5. COMMISSIONING .....	23
6. USER INSTRUCTIONS .....	23-27
7. SERVICE AND SPARES .....	28-33
8. COMMISSIONING CHECKLIST .....	34
9. SERVICE RECORD .....	35

**1 KEY TO SYMBOLS AND SAFETY INSTRUCTIONS**

**1.1 KEY TO SYMBOLS**

**Warnings**

	<b>WARNINGS IN THIS DOCUMENT ARE IDENTIFIED BY A WARNING TRIANGLE PRINTED AGAINST A GREY BACKGROUND. KEYWORDS AT THE START OF A WARNING INDICATE THE TYPE AND SERIOUSNESS OF THE ENSUING RISK IF MEASURES TO PREVENT THE RISK ARE NOT TAKEN.</b>
---	--

The following keywords are defined and can be used in this document:


**NOTICE** indicates a situation that could result in damage to property or equipment.

**CAUTION** indicates a situation that could result in minor to medium injury.

**WARNING** indicates a situation that could result in severe injury or death.

**DANGER** indicates a situation that will result in severe injury or death.

**IMPORTANT INFORMATION**

	This symbol indicates important information where there is no risk to people or property.
--	---

**ADDITIONAL SYMBOLS**

Symbol	Meaning
<b>1.</b>	a numbered step in an action sequence
▶	a step in an action sequence
→	a reference to a related part in the document or to other related documents
①	a reference number to identify or refer to a part or item
•	a list entry
–	a list entry (second level)

**EXAMPLES OF ADDITIONAL SYMBOLS USED**

**A numbered step in an action sequence**

A sequence of numbered steps or actions carried out in a specific order to complete a task.

1. First action
  2. Second action
  3. Third action
- etc.

**A STEP IN AN ACTION SEQUENCE**

A sequence of defined actions or steps carried out in order to complete

- ▶ a task.
- ▶ Action
- ▶ Next action
- ▶ etc.

**A REFERENCE TO A RELATED PART IN THE DOCUMENT OR TO OTHER RELATED DOCUMENTS.**

To refer the reader to a specific figure/table/section within the manual.

→ e.g. figure 1.

A reference number to identify or refer to a part or item.


In a related figure, items or parts identified by a sequential number.


List entries, first and second levels

- A single component/item
- A component/list, made up of multiple parts/items.
- Sub component or sublist of main component/list.
- etc.

**PLEASE READ THESE INSTRUCTIONS CAREFULLY BEFORE STARTING INSTALLATION.**

These instructions are applicable to the Worcester appliance model(s) stated on the front cover of this manual only and must not be used with any other make or model of appliance.
These instructions apply in the UK and Ireland only and must be followed except for any statutory obligations.
If you are in any doubt, contact the Worcester Technical helpline (0330 123 2445).
Please leave these instructions with the completed CHECKLIST, (or a certificate confirming compliance with IS 813, Eire only) and the user manual with the owner after installation or servicing.
Distance learning and training courses are available from Worcester.
The CHECKLIST can be found in the back of this Installation manual.

	This is a wood burning Stove, and as such has only been tested and certified to burn wood and no other type of fuel. Failure to adhere to this can invalidate the manufacture's guarantee.
---	--

	Read the instruction booklet and these supplementary instructions carefully before installation.
---	--

**APPLIANCE**

The Checklist can be used to demonstrate compliance with Building Regulations and should be provided to the customer for future reference.

**HEALTH AND SAFETY**

The appliance contains no asbestos and no substances have been used in the construction process that contravene the COSHH Regulations (Control of Substances Hazardous to Health Regulations 1988).

**COMBUSTION AND CORROSIVE MATERIALS**

Do not store or use any combustible materials (paper, thinners, paints etc.) inside or within the vicinity of the appliance. Chemically aggressive substances can corrode the appliance and invalidate any warranty.

**FITTINGS AND MODIFICATIONS**

Fitting the appliance and any controls to the appliance may only be carried out by a qualified, competent engineer. Flue systems must not be modified in any way other than as described in the fitting instructions. Any misuse or unauthorized modifications to the appliance, flue or associated components and systems could invalidate the warranty. The manufacturer accepts no liability arising from any such actions, excluding statutory rights.

**SERVICING**

Advise the user to have the system serviced annually by a competent, qualified registered engineer. Approved spares must be used to help maintain the economy, safety and reliability of the appliance.

**IMPORTANT**

The service engineer must complete the Service Record on the Checklist after each service.

**USER INFORMATION**

**GENERAL SAFETY INSTRUCTIONS FOR THE OPERATION OF YOUR STOVE**

- Thoroughly read the entire manual before using your stove and observe the caution notices.
- Your stove may not be moved without approved means of transport with sufficient load-bearing capacity
- Your stove is not suitable to be used as a stand or as a ladder
- Only burn approved fuels and materials listed in the chapter Clean Burning
- Do not wear loose or flammable clothing when adding fuel to the fire in your stove.
- Placing non-heat-related objects on the stove or in the vicinity of the stove is forbidden.

**WORCESTER ORIGINAL SPARE PARTS**

Only use Worcester original spare parts with this appliance. Non Worcester original spare parts will invalidate the guarantee (if applicable) and any warranty.

**TECHNICAL DATA**

	Bewdley 3	Bewdley 5	Bewdley 8
Height	563mm	564mm	633mm
Width	368mm	438mm	567mm
Depth	380mm	381mm	439mm
Weight	68kg	77.5kg	104kg
Flue Pipe	127mm	127mm	152mm
Nominal Thermal Output	3.9kW	4.9kW	8.0kW
Flue Mass Flow (closed)	2.89 g/s	3.4 g/s	7.5 g/s
Fluegas Temperature (closed)	257° C	236° C	311° C
Minimum flue pressure (closed) Nominal Thermal Output	12Pa	12Pa	12Pa
Efficiency	80%	82%	74%
Maximum Output	5.8kW	8.1kW	10.3kW

**IMPORTANT INFORMATION**

The installation and operation information given here is of a general nature. National and European standards, and building regulations as well as fire prevention laws must be observed during the operation of the stove.

- Make your children aware of this particular danger and keep them at a safe distance from the stove whenever it is in operation.
- The burning or placing of flammable or explosive materials, such as empty spray cans and such like items into the firebox as well as the storage of such materials in the immediate vicinity of your stove is strictly prohibited due to the danger of explosion.
- Do not lay laundry on the stove for drying. Laundry hung up to dry must be kept at a safe distance from the stove because of the danger of fire.
- During the operation of your stove, it is forbidden to use flammable or explosive materials in the same or an adjacent room to the one in which your stove is located.



**ADDITIONAL INFORMATION BEFORE INSTALLING YOUR WOOD STOVE**

- Once you determine the room in which your wood stove will be installed, install a carbon monoxide alarm in the same room. This alarm should be installed at least 150mm below the ceiling.
- All local regulations, including those referring to national and European standards need to be complied with when installing the appliance.
- Any air inlet grilles are to be positioned so they are not liable to blockage
- Do not use your appliance as an incinerator. Only burn well seasoned wood.
- A minimum of annual maintenance is necessary to be sure your appliance is running optimally. All maintenance must be performed by a competent engineer or Chimney Sweep. Access should be provided for regular cleaning of the appliance, flue gas connector and chimney flue
- Do not operate your appliance with the door open. Only operate with the door open during ignition, refueling and removal of residue material to prevent fume spillage. Operating with the door open can cause over-firing of your appliance. Operation with the door open can cause excess smoke.
- **WARNING:** Some parts of your appliance, especially the external surfaces, will be hot to touch when in operation. Due care should be taken to prevent burns. Keep children away from the appliance during operation.
- This appliance is NOT suitable for installation in a shared flue system.
- This appliance is suitable and has been tested for intermittent operation.
- There must be no unauthorized modification of the appliance

**THE CLEAN AIR ACT 1993 AND SMOKE CONTROL AREAS**

Under the Clean Air Act local authorities may declare the whole or part of the district of the authority to be a smoke control area. It is an offence to emit smoke from a chimney of a building, from a furnace or from any fixed boiler if located in a designated smoke control area. It is also an offence to acquire an “unauthorized fuel” for use within a smoke control area unless it is used in an “exempt” appliance (“exempted” from the controls which generally apply in the smoke control area).

In England, appliances are exempted by publication on a list by the Secretary of State in accordance with changes made to sections 20 and 21 of the Clean Air Act 1993 by section 15 of the Deregulation Act 2015. Similarly in Scotland, appliances are exempted by publication on a list by Scottish Ministers under section 50 of the Regulatory Reform (Scotland) Act 2014.

In Wales and Northern Ireland, these are authorised by regulations made by Welsh Ministers and by the Department of the Environment respectively.

The Bewdley 3 has been recommended as suitable for use in smoke control areas when burning wood logs, when operated in accordance with these instructions and when fitted with a modification that prevents closure of the Secondary Air control beyond 34 mm Open.

The Bewdley 5 has been recommended as suitable for use in smoke control areas when burning wood logs, when operated in accordance with these instructions and when fitted with a modification that prevents closure of the Secondary Air control beyond 35 mm Open.

The Bewdley 8 has been recommended as suitable for use in smoke control areas when burning wood logs, when operated in accordance with these instructions and when fitted with a modification that prevents closure of the Secondary Air control beyond 10 mm Open.

Further information on the requirements of the Clean Air Act can be found here : <https://www.gov.uk/smoke-control-area-rules>  
Your local authority is responsible for implementing the Clean Air Act 1993 including designation and supervision of smoke control areas and you can contact them for details of Clean Air Act requirements.

**PERMANENT AIR VENT**

The stove requires a permanent and adequate air supply in order for it to operate safely and efficiently. In accordance with current Building Regulations the installer may have fitted a permanent air supply vent into the room in which the stove is installed to provide combustion air. This air vent should not under any circumstances be shut off or sealed.

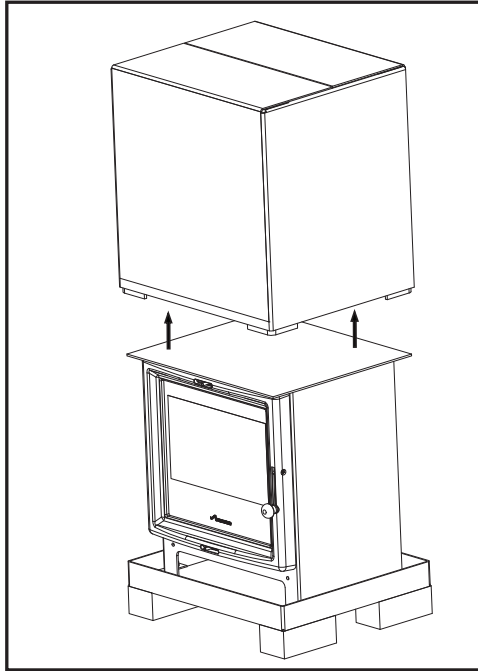
**SETTING UP YOUR STOVE**

Required safety distances (minimum clearances to combustible materials).		
Bewdley 3	Bewdley 5	Bewdley 8
A > 1200mm (toward the front of the stove)	A > 1200mm (toward the front of the stove)	A > 1200mm (toward the front of the stove)
B > 400mm (to the side)	B > 400mm (to the side)	B > 350mm (to the side)
C > 300mm (to the back)	C > 300mm (to the back)	C > 350mm (to the back)

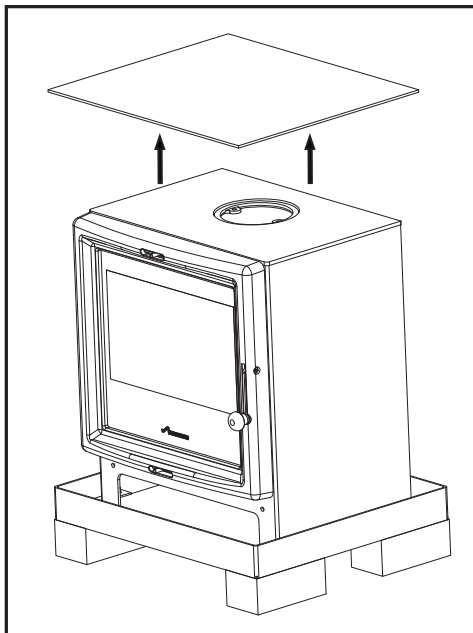
Make sure that the room in which the stove is set up has at least one door or window into the outside or is directly adjacent to such a room. Other fireplaces or exhaust fans must not be operated in the same room as this stove.

**UNPACKING THE APPLIANCE**

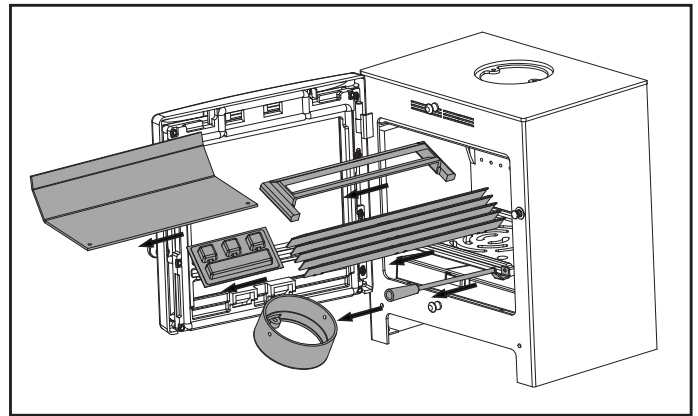
1. Slide the box panels up to remove and set aside.



2. Remove the remaining top panel.



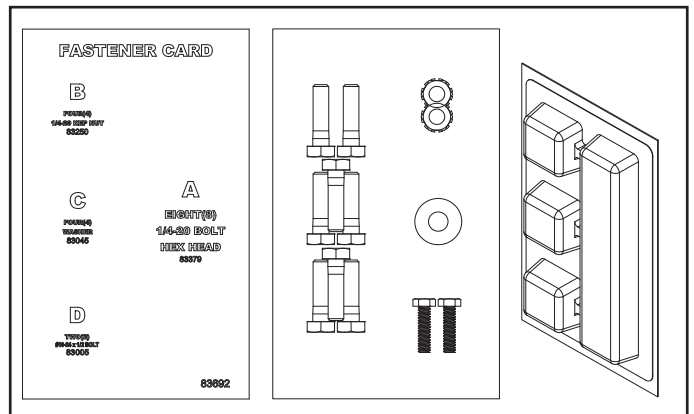
3. Remove the baffle, louver assembly, fastener card, log guard, ash handle and flue collar from inside the firebox of the stove.



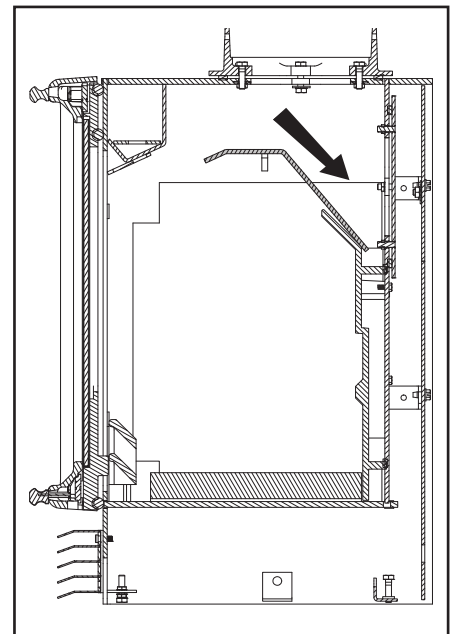
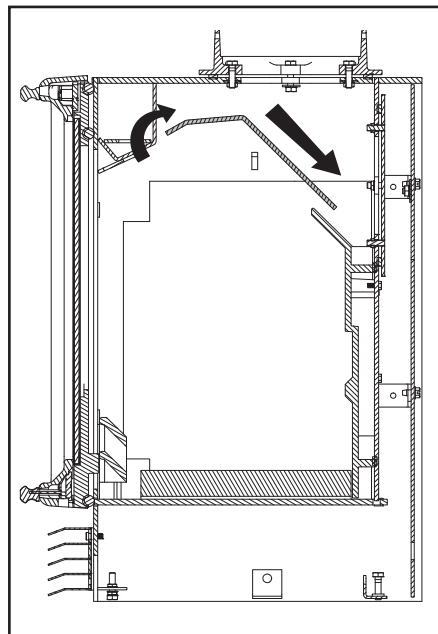
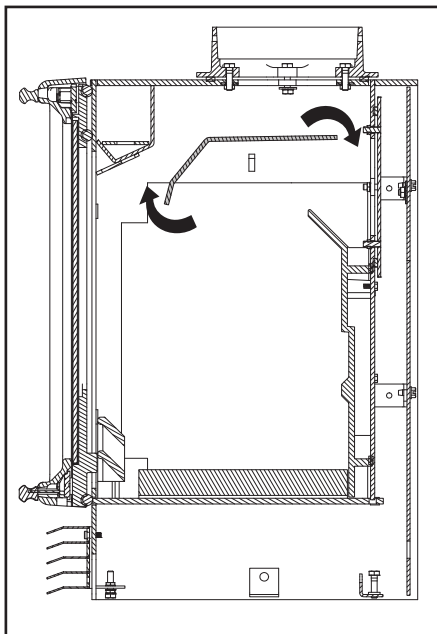
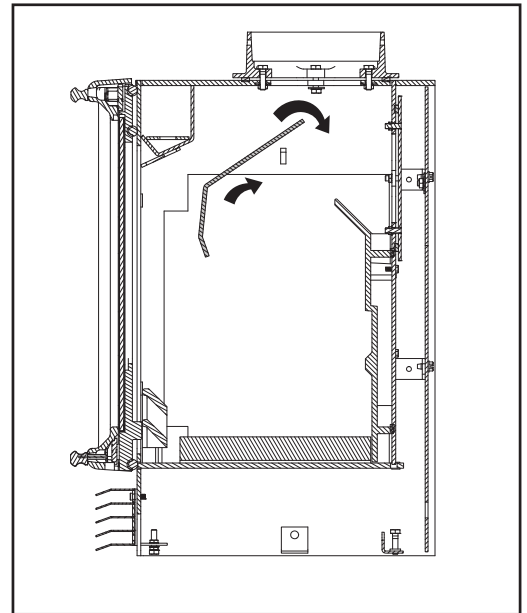
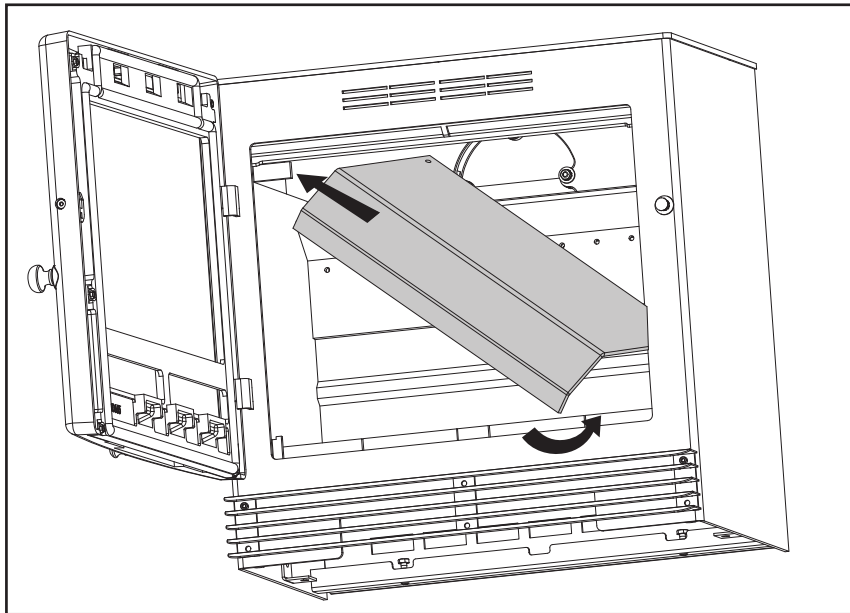
Contents List	
Qty.	Item
1	Baffle
1	Louver Assembly
1	Fastener Card
1	Log Guard
1	Ash Handle
1	Flue Collar

**FASTENER CARD**

The last two (A) bolts, two (B) nuts, and two (C) washers will only be used on the Bewdley 8.



**INSTALLING BAFFLE**



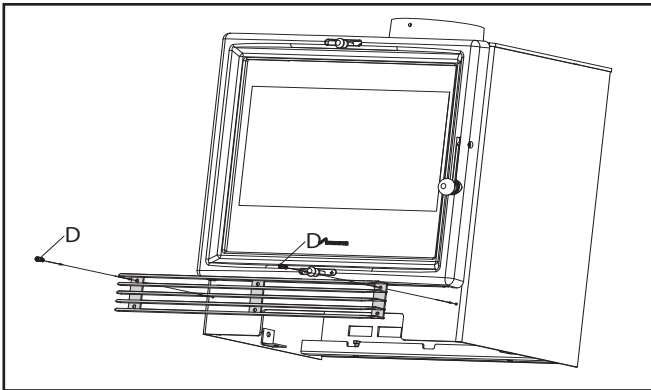
**REMOVING THE BAFFLE**

- ▶ Remove the log guard as previously described.
- ▶ Lift the front edge of the baffle away from the support bars.
- ▶ To disengage the rear edge from its location above the air inlet holes, pull the baffle forward.
- ▶ Rotate the baffle to remove from the firebox through the door opening.

- ▶ To replace the baffle simply reverse the order of the above steps.
- Note: Clean the baffle regularly to ensure safe and efficient operation of the stove.

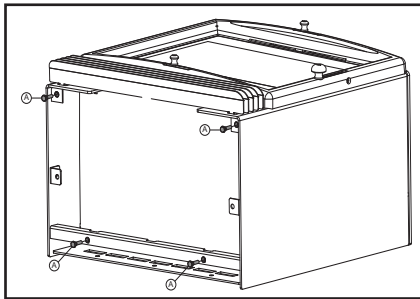
**INSTALLING LOUVERS**

Secure louvers to stove with the two provided (D) screws.

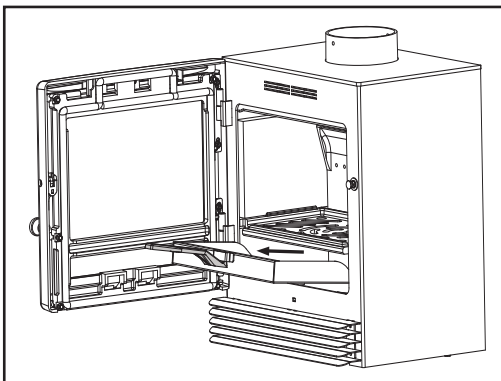
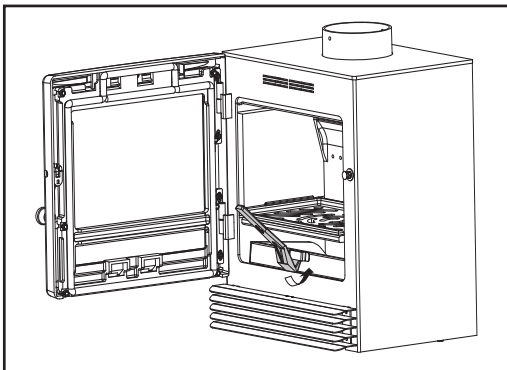


**INSTALLING THE LEG LEVELERS**

1. Insert four (4) A bolts into stove and adjust as needed until the unit is level.



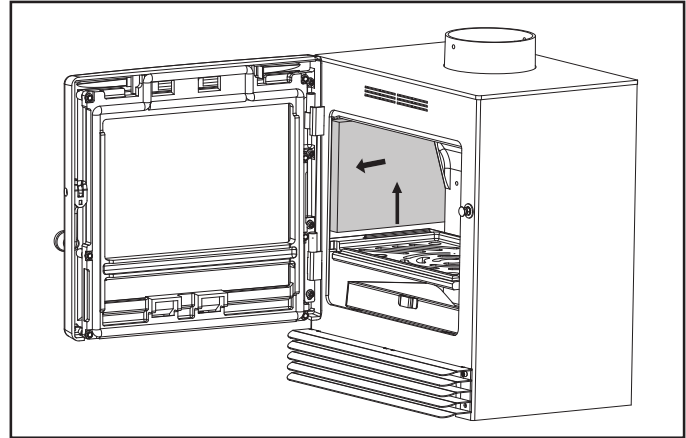
**REMOVING THE ASHPAN**



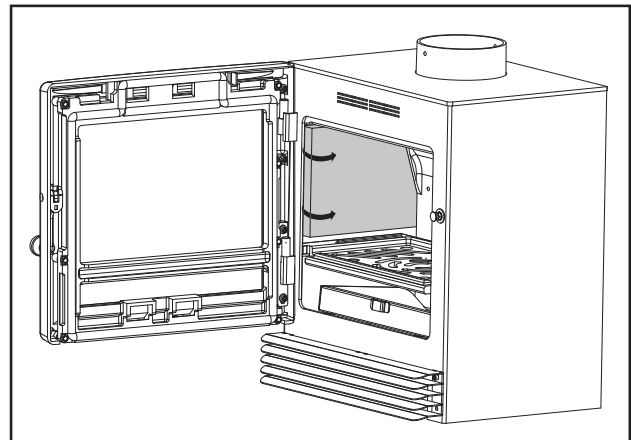
**REMOVING THE VERMICULITE SIDE PANELS**

Note: Handle vermiculite side panels with care as they can become fragile after use.

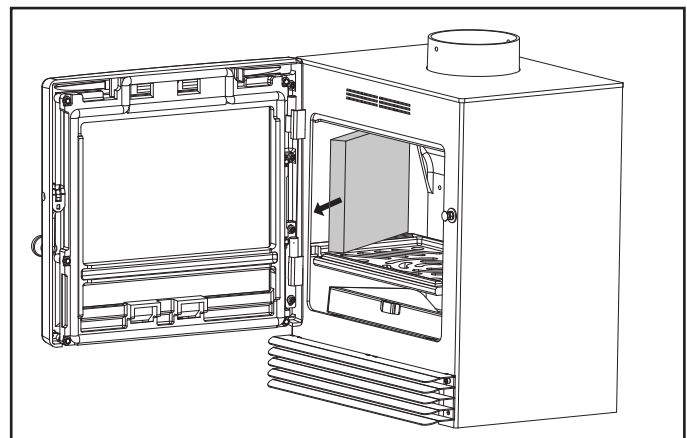
1. Remove the baffle.



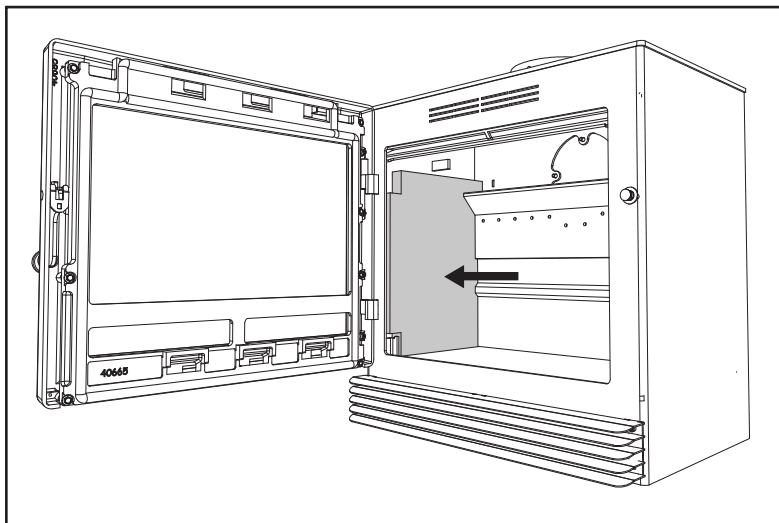
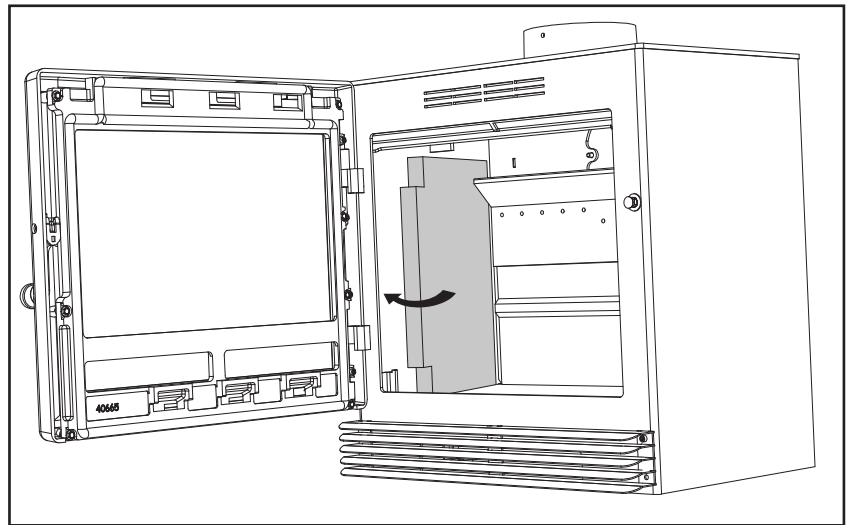
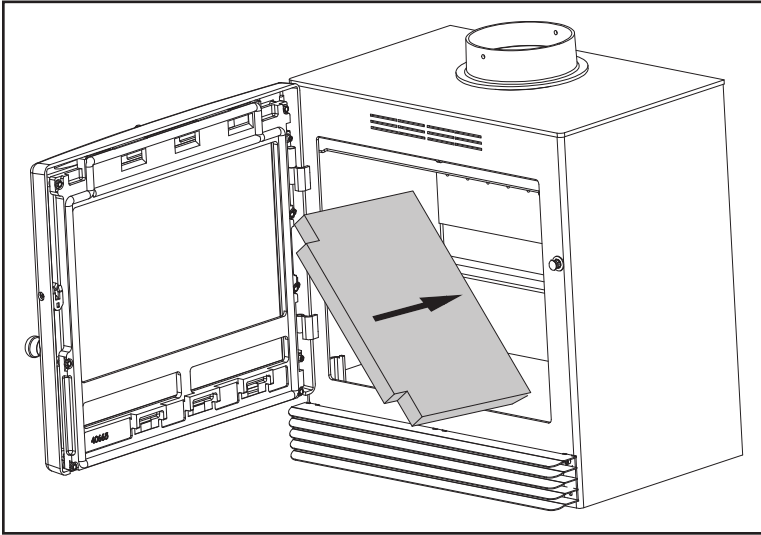
2. Lift up and pull the vermiculite side panel toward the front of the stove.

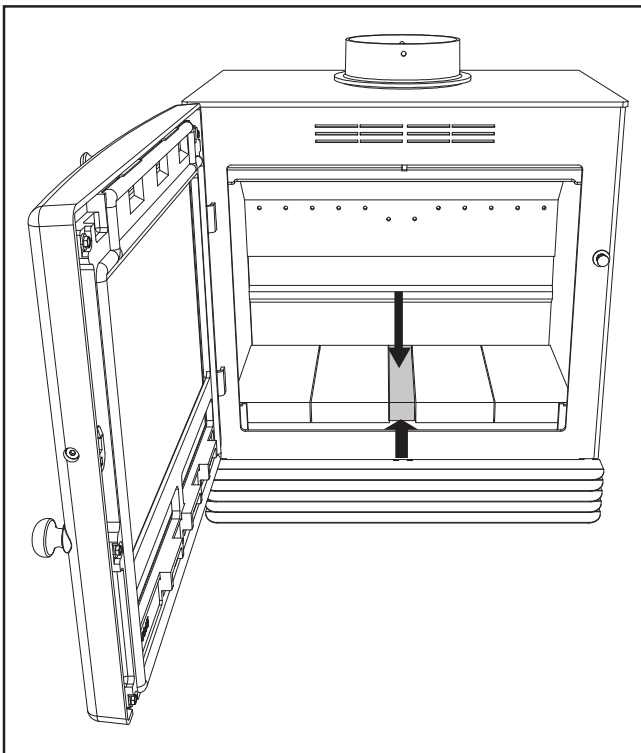
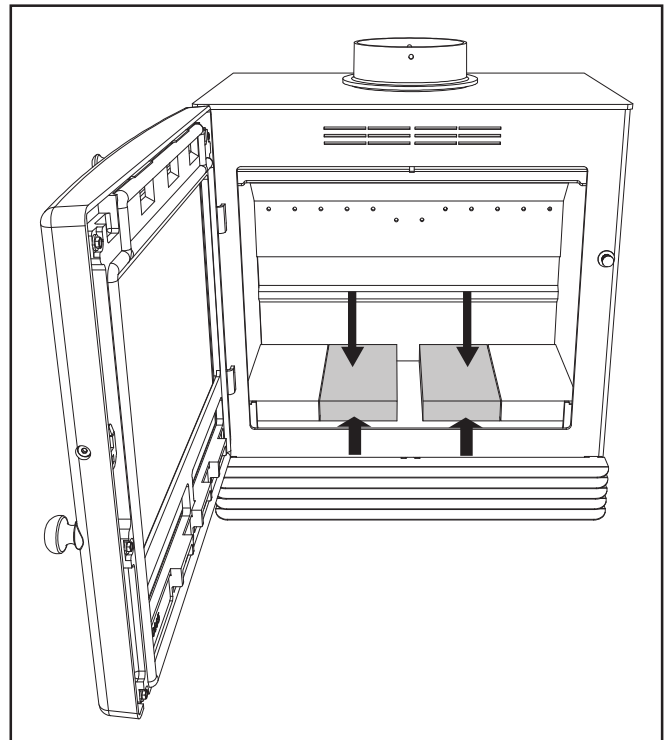
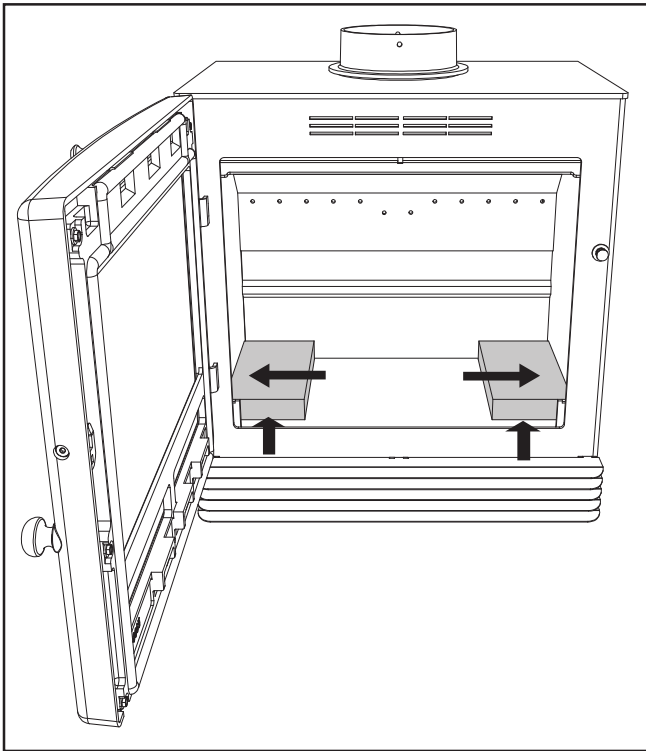


3. Rotate the end of the panel closest to you towards the door.  
Note: The back of the panel is angled to allow removal. When replacing the panels make sure the angled edge is in the same position as when removed.



**INSTALLING BEWDLEY 8 BRICKS**

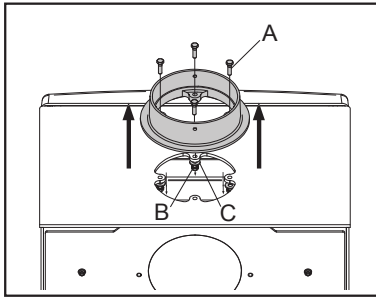




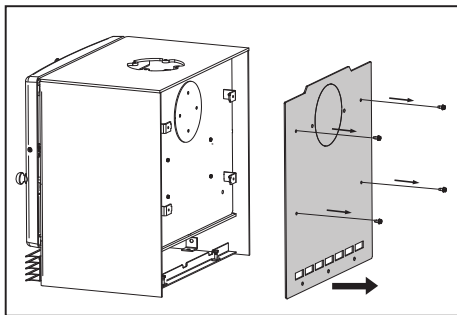


**CONVERTING TO USE REAR FLUE**

1. Remove the four (A) Bolts, (C) washers, and (B) nuts.

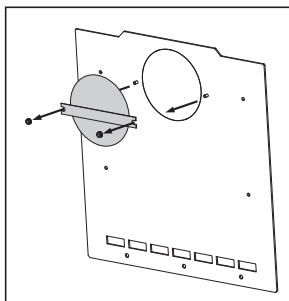


2. Remove the four 1/4-20 x 1/2 self-tapping screws that are holding the heat shield on.



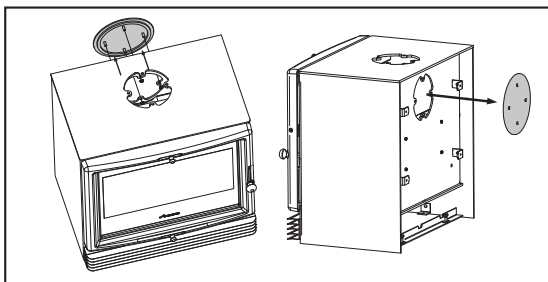
3. Remove the two 1/4-20 nut that are holding the heat shield cover plate on.

**i** Retain the heat shield cover plate for later use should you decide to convert back to using the top flue.



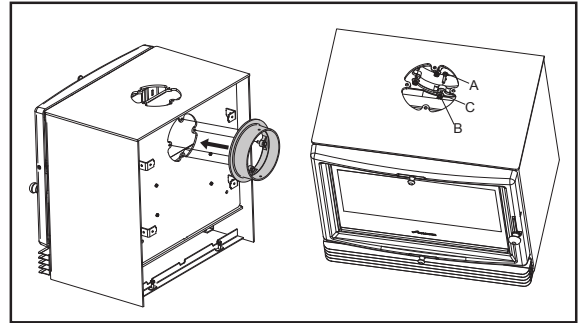
4. Remove the four nuts that are holding on the flue cover plate.

**i** You will need to reach in through the top opening of the stove to gain access to all of the bolts when removing the flue cover plate.

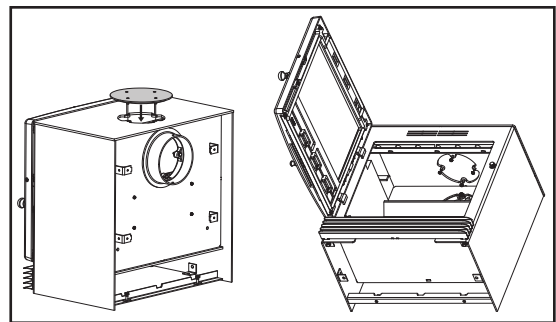


5. Attach the flue collar with four (A) bolts, Four (B) nuts, and four (C) washers.

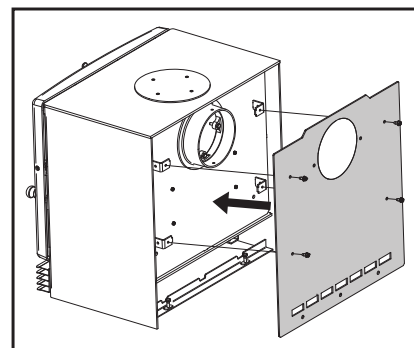
**i** You will need to reach in through the top opening of the stove to gain access to all of the bolts when securing the flue collar.



6. Attach the flue cover plate to the top of the stove with the four nuts you previously removed.



7. Reattach the heat shield to the back of the stove using the four 1/4-20 x 1/2 self-tapping screws that were previously removed.





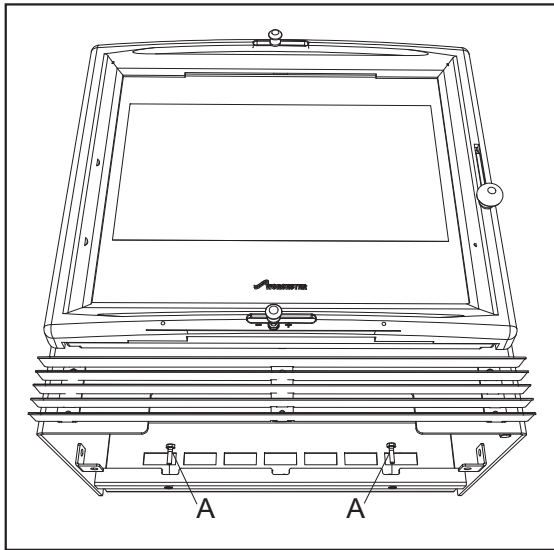
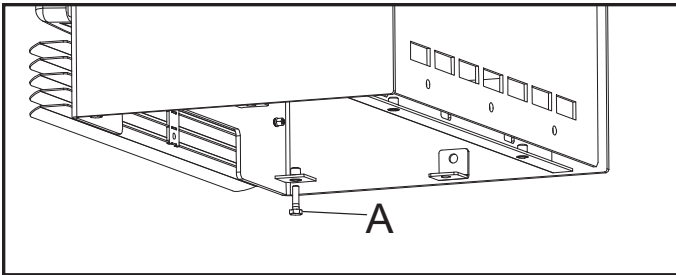
**CAUTION! THE APPLIANCE IS VERY HEAVY. ASSISTANCE FROM A SECOND PERSON IS STRONGLY SUGGESTED. PLEASE USE PROPER LIFTING TECHNIQUE WHEN POSITIONING THE APPLIANCE FOR ASSEMBLY AND INSTALLATION. TO PREVENT DAMAGE TO THE LOUVERS DO NOT TILT THE STOVE FORWARD DURING INSTALLATION.**

**OPTIONAL LOG STORAGE**

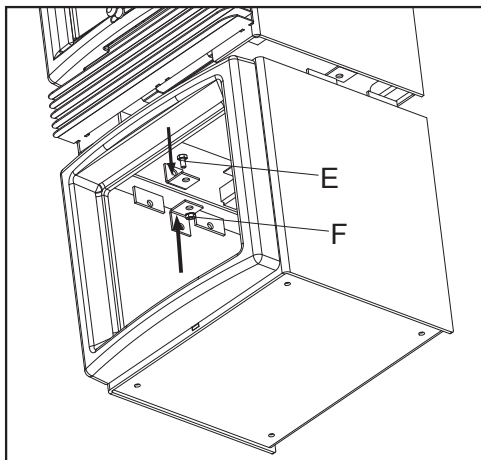


Note: Step one is only applicable if the log storage unit is installed at a later date.

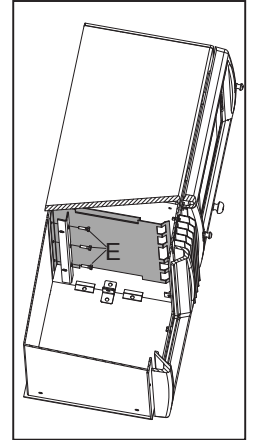
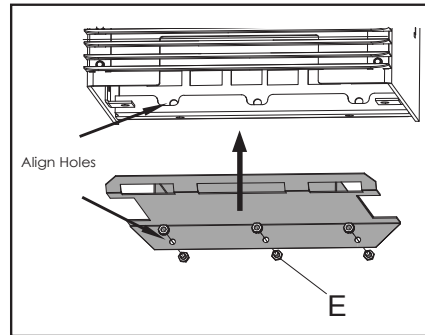
1. Remove the four (4) A bolts Set aside for later use.



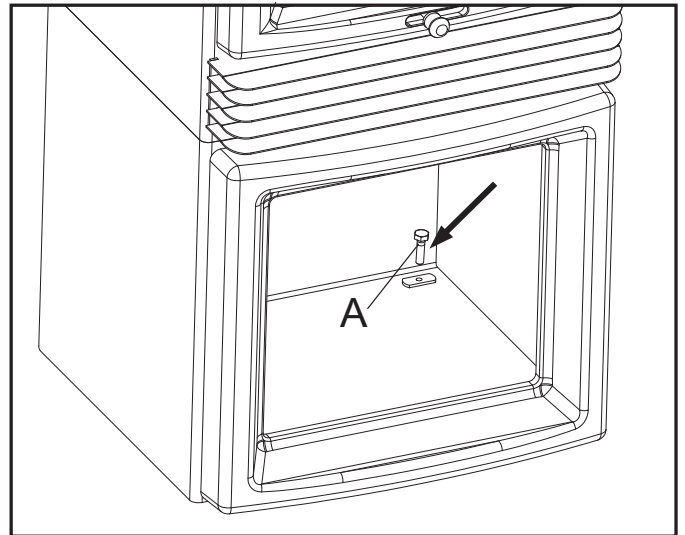
2. Align top and bottom tabs. Insert E bolt and secure with F nut (repeat this step for the other side).



3. Align the holes of heat shield and stove. Insert three (3) E bolts and secure into place with three (3) F nuts (the Bewdley 4 and 5 will only use (2) two E bolts and F nuts).



4. Insert four (4) A bolt leg levelers into all four corners and adjust as needed for leveling.



Log Storage Hardware List		
Qty.	Key	Item
3	D	1/4-20 X 1/2 Hex Bolt
2	E	1/4-20 X 1 Hex Bolt
5	F	1/4 X 20 Nut



**POSITIONING THE STOVE**

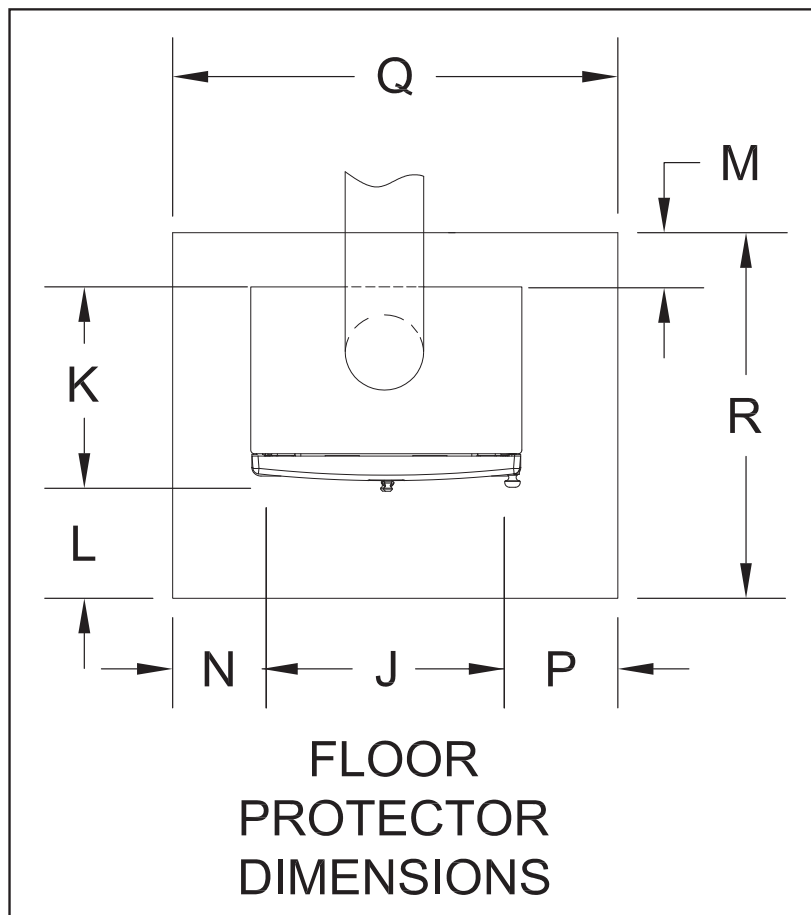
It is very important to position the wood stove as close as possible to the chimney, and in an area that will favour the most efficient heat distribution possible throughout the house. The stove must, therefore, be installed in the room where the most time is spent and in the most spacious room possible. Recall that wood stoves produce radiating heat, the heat we feel when we are close to a wood stove. A wood stove also functions by convection, that is through the displacement of hot air accelerated upwards and its replacement with cooler air.

The wood stove must not be connected to a hot air distribution system since an excessive accumulation of heat may occur.

Your stove has been tested to applicable international standards and therefore can be installed on a suitable non-combustible 12 mm board, sheet or tiles

The floor protector should be of suitable non-combustible board/ sheet or tiles at least 12 mm thick and large enough to extend under the stove and beyond each side as indicated. These dimensions also apply if the stove is installed in a recess such as an inglenook fireplace.

NOTE: The appliance must be installed on floors with an adequate load-bearing capacity. If an existing construction does not meet this prerequisite, suitable measures (e.g. load distributing plate) shall be taken to achieve it.



DIMENSION		Bewdley 3	Bewdley 5	Bewdley 8
J	Stove Width	368mm	438mm	567mm
K	Stove Depth	380mm	381mm	439mm
L	Front	150mm min.	150mm min.	150mm min.
M	Back	150mm min.	150mm min.	150mm min.
N	Left	150mm min.	150mm min.	150mm min.
P	Right	150mm min.	150mm min.	150mm min.
Q	Total Width	668mm	738mm	867mm
R	Total Length	680mm	681mm	739mm

**FLOOR LOADING CAPACITY**  
**WARNING:** Ensure that the load capacity of the floor is sufficient to carry the weight of the entire unit, before the stove is installed.

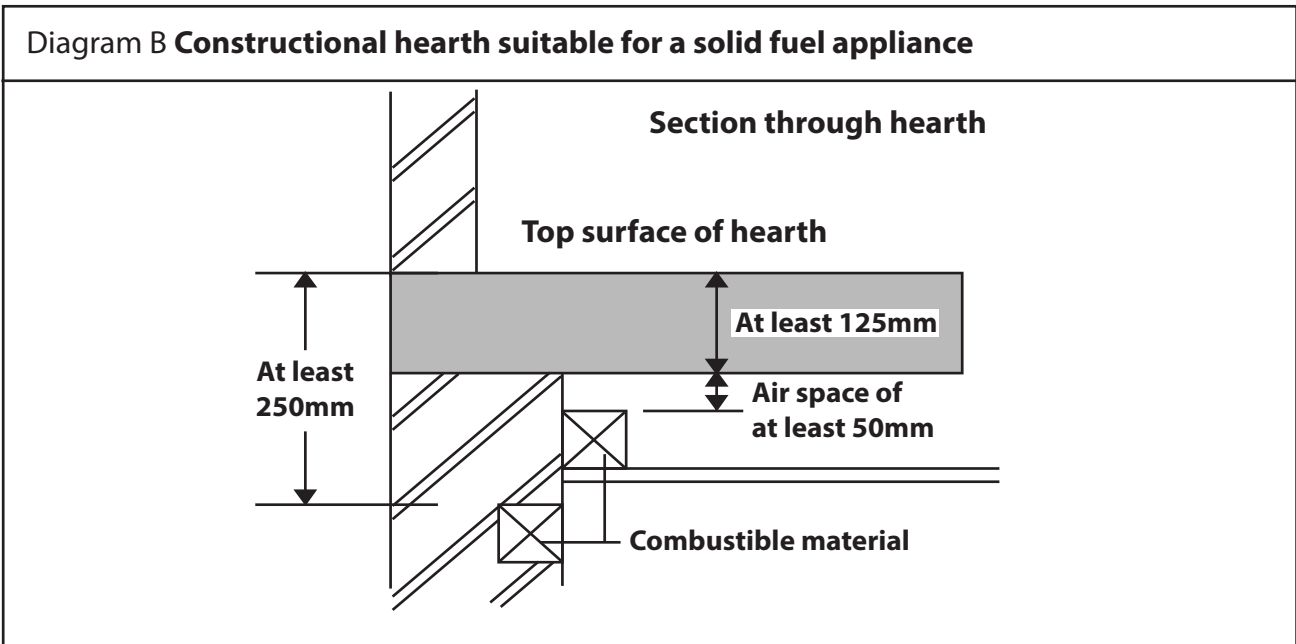
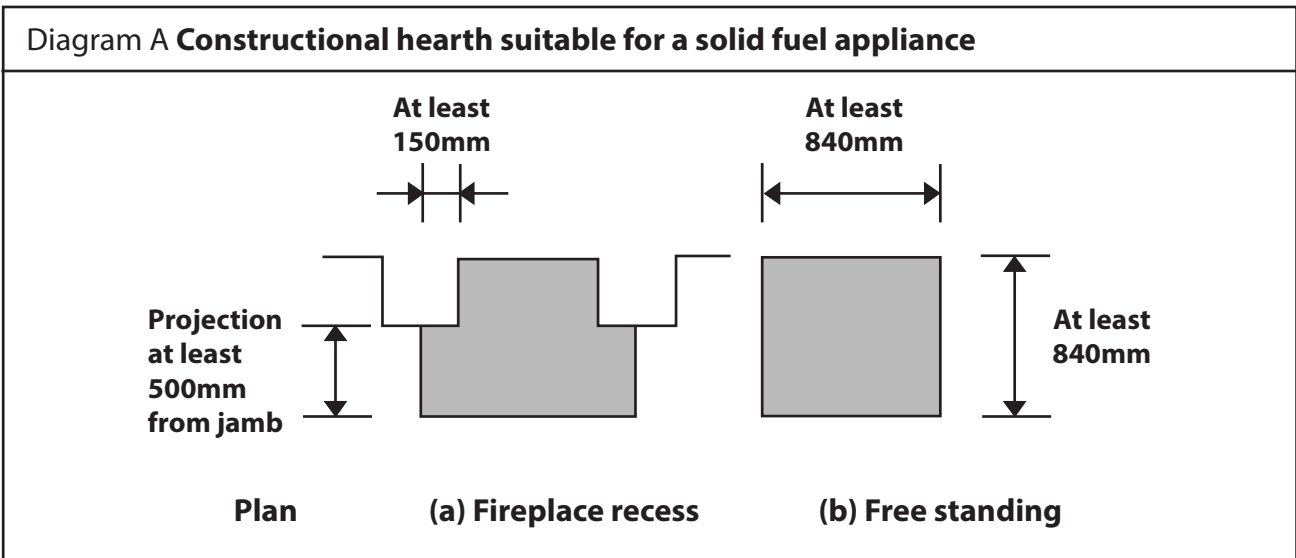
Hearths should be constructed of suitably robust materials and to appropriate dimensions such that, in normal use, they prevent combustion appliances setting fire to the building fabric and furnishings, and they limit the risk of people being accidentally burnt.

The hearth should be able to accommodate the weight of the appliance and its chimney if the chimney is not independently supported.

Appliances should stand wholly above hearths made of non-combustible board/sheet material or tiles at least 12mm thick, if the appliance is not to stand in an appliance recess, or, on a constructional hearth in accordance with the paragraph below.

**CONSTRUCTIONAL HEARTH**

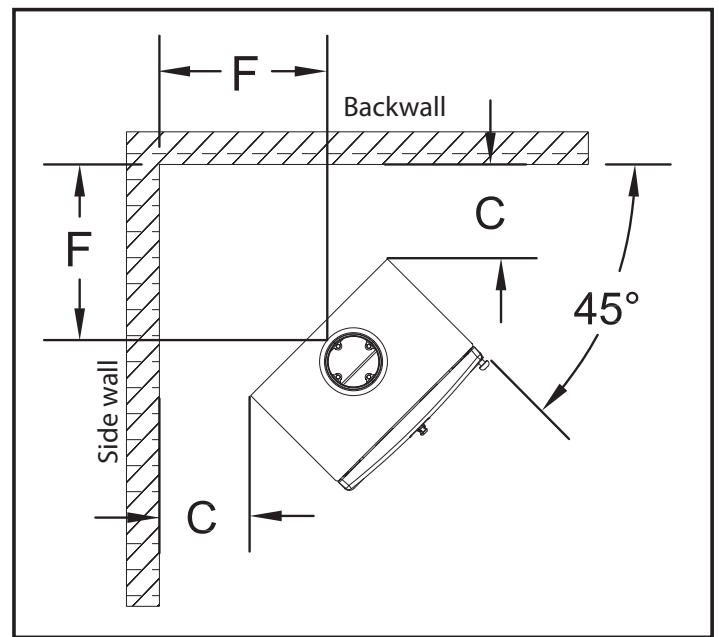
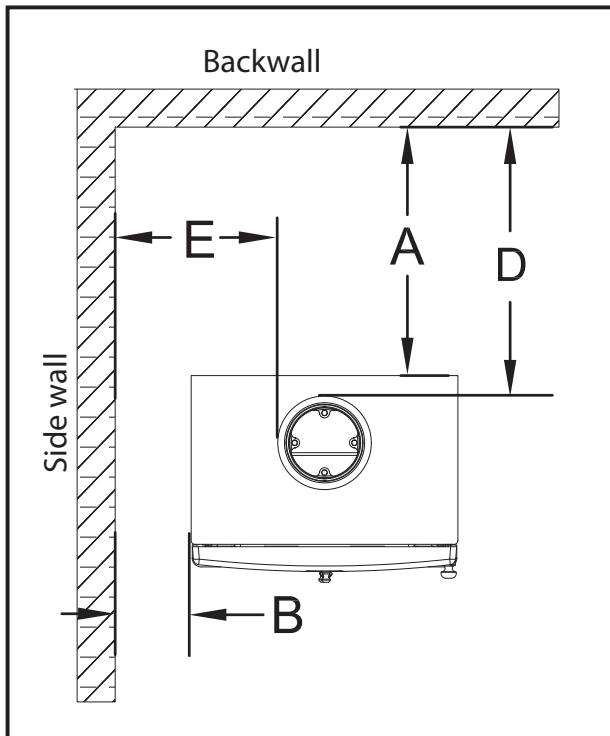
Constructional hearths should have plan dimensions as shown in Diagram A below and be made of solid, non-combustible material, such as concrete or masonry, at least 125mm thick, including the thickness of any non-combustible floor and/or decorative surface. Combustible material should not be placed beneath constructional hearths unless there is an air-space of at least 50mm between the underside of the hearth and the combustible material, or the combustible material is at least 250mm below the top of the hearth. (See diagram B below)



**FREE STANDING STOVE CLEARANCES**

A wood stove must never be installed in a hallway or near a staircase, since it may block the way in case of fire or fail to

respect required clearances. It is of utmost importance that the clearances to combustible materials be strictly adhered to during installation of the stove. Refer to the tables below :



DIMENSION		Bewdley 3	Bewdley 5	Bewdley 8
A	Backwall to Stove	300mm	300mm	350mm
B	Sidewall to Stove	400mm	400mm	350mm
C	Wall to corner (Angled Installation)	300mm	300mm	350mm
D	Backwall to Flue	353mm	353mm	394mm
E	Sidewall to Flue	513mm	548mm	534mm
F	Wall to Flue (Angled Installation)	353mm	353mm	394mm

- Do not place any combustible material within 1.2m of the front of the unit.
- The clearance between the flue pipe and a wall are valid only for vertical walls and for vertical flue pipe.
- The chimney connector must not pass through an attic or roof space, closet or similar concealed space, a floor, or a ceiling.
- A flue pipe crossing a combustible wall must have a minimum clearance of 457mm.

**CHIMNEY CONNECTOR (STOVE PIPE)**

The chimney connector and chimney must be no smaller than the stove outlet 127mm for the Bewdley 3&5, 152mm for the Bewdley 8. If this is not the case, we recommend you contact the dealer in order to ensure there will be no problem with the draught.

The stove pipe must be made of aluminized or cold roll steel with a minimum thickness of 0.53mm. It is strictly forbidden to use galvanized steel.

The stove pipe should be assembled in such a way that the male section (crimped end) of the pipe faces down. Install as per the manufactory installation guidelines.

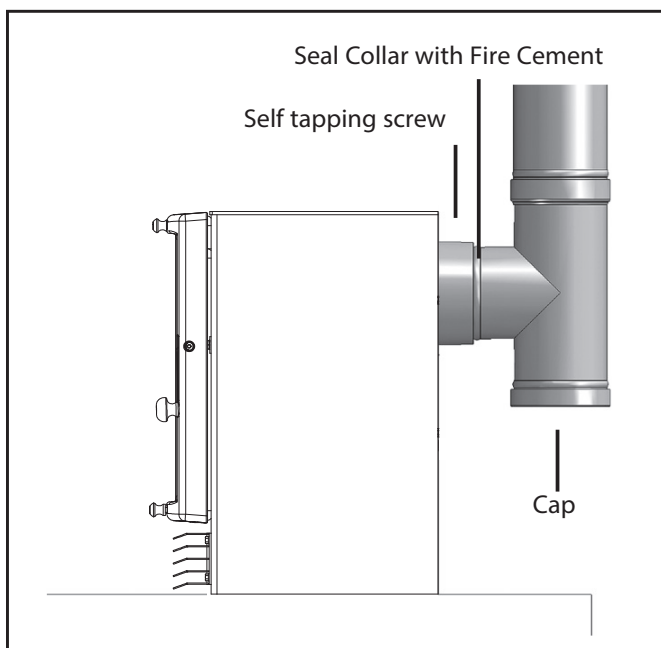
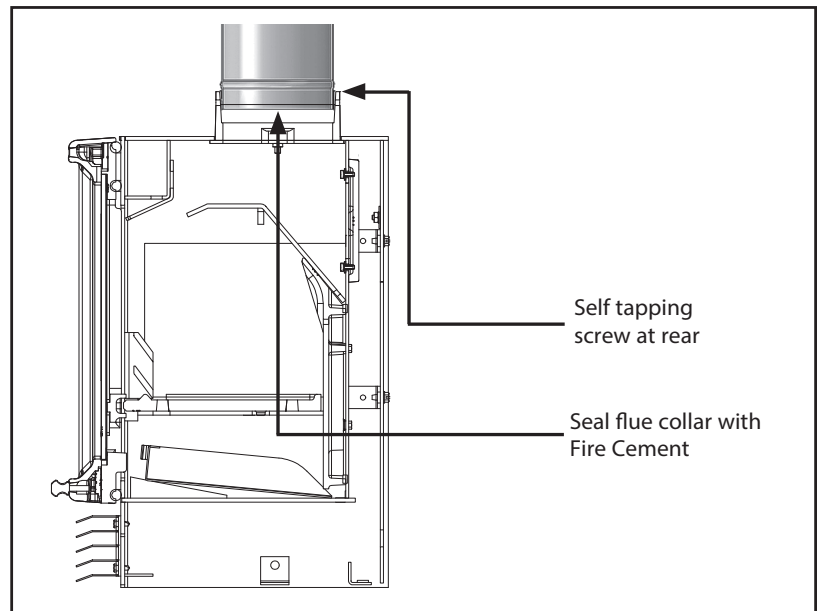
The pipe must be short and straight. All sections installed horizontally must slope at least 21mm per meter, with the upper end of the section

toward the chimney. Any installation with a horizontal run of chimney pipe must conform to national and local regulations.

To ensure a good draught, the total length of the coupling pipe should never exceed 2.4m to 3.03m. Except for cases of vertical installation, cathedral-roof style where the smoke exhaust system can be much longer and connected without problem to the chimney at the ceiling of the room.

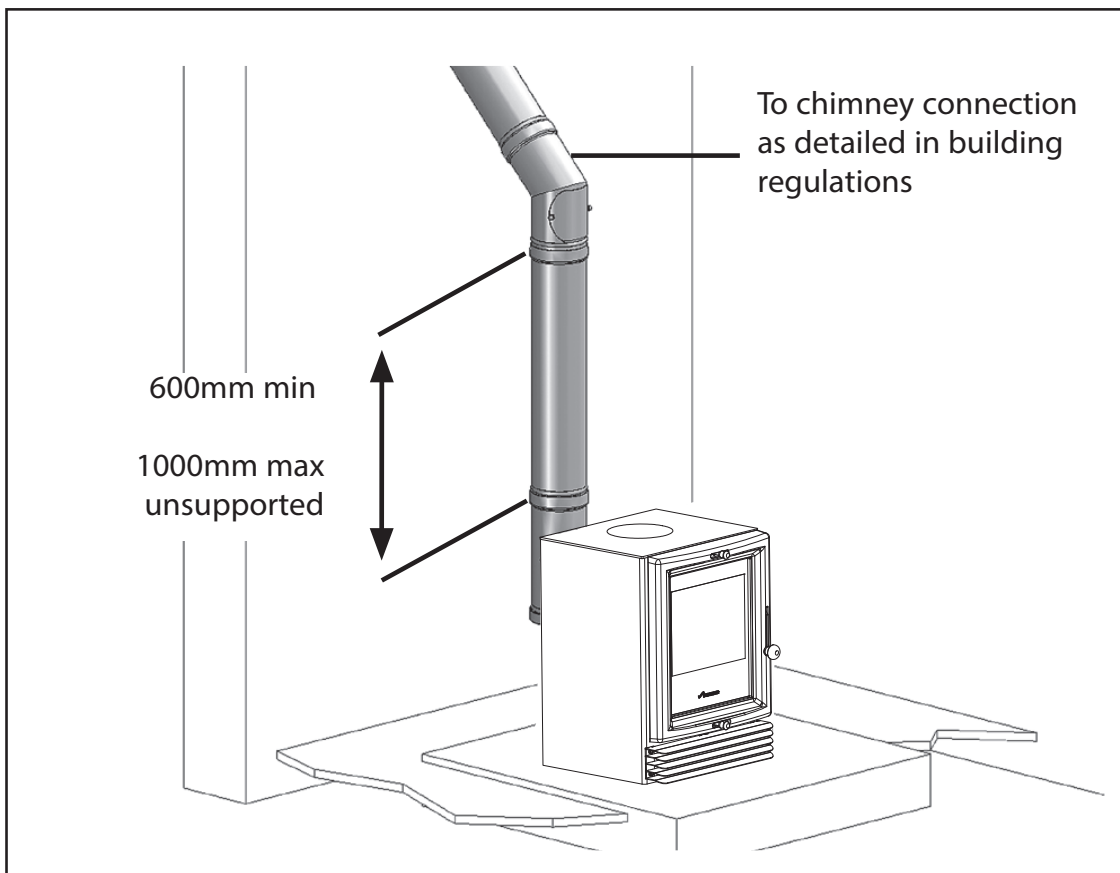
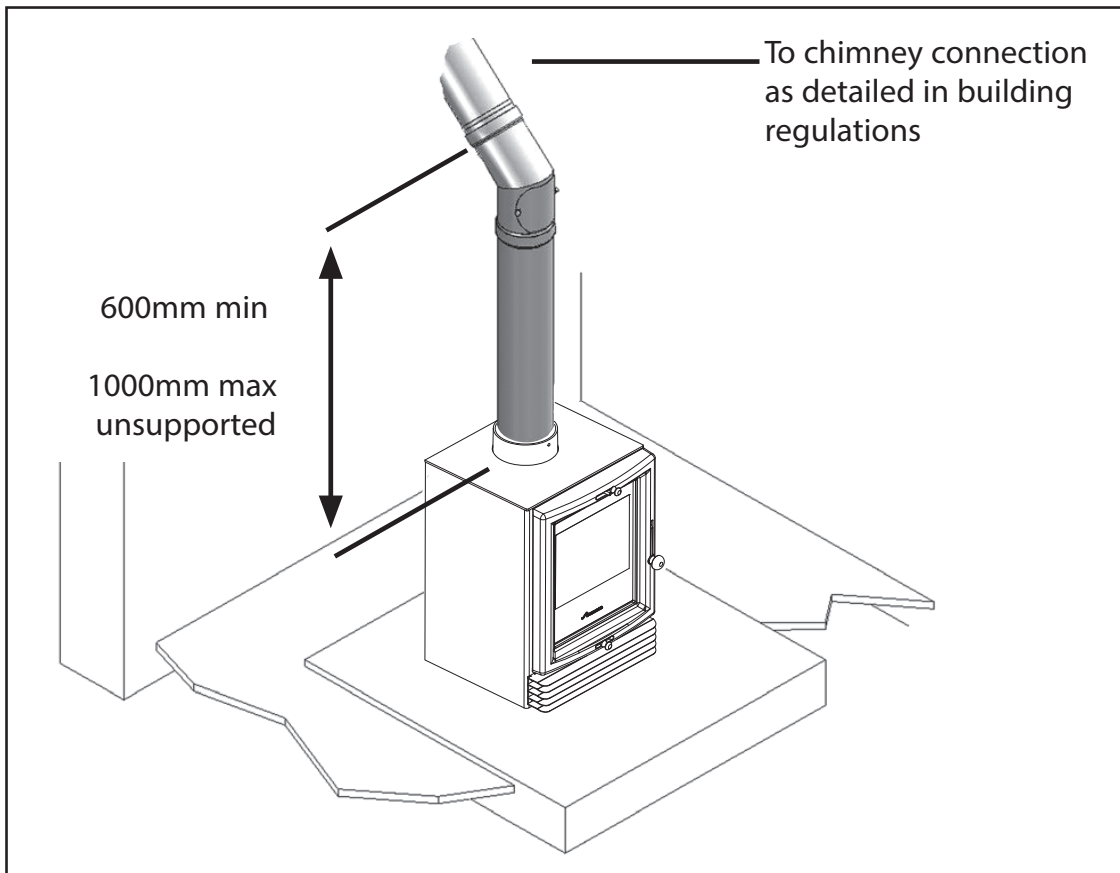
Installation of a "barometric draught stabilizer" (fireplace register) on a smoke exhaust system is prohibited.

Furthermore, installation of a draught damper is not recommended. Indeed, with a controlled combustion wood stove, the draught is regulated upon intake of the combustion air in the stove and not at the exhaust.



**REAR FLUE PIPE INSTALLATION**

- Insert a tee into the flue collar. The tee piece is used as cleaning access.
- Lift appliance into position. Take care not to damage the hearth finish.
- Level the appliance
- Connect tee to the chimney using flue pipe
- Secure with self tapping screw
- Seal the connecting joints



## CHIMNEY

In order for the stove to perform satisfactorily the chimney height must be sufficient to ensure an adequate draught of approximately 15 Pa so as to clear the products of combustion and prevent smoke problems into the room.

NOTE: A chimney height of not less than 4.5 meters measured vertically from the outlet of the stove to the top of the chimney should be satisfactory. Alternatively the calculation procedure given in EN 13384-1 may be used as the basis for deciding whether a particular chimney design will provide sufficient draught. BS EN 15287-1:2007 gives additional details.

The outlet from the chimney should be above the roof of the building in accordance with the provisions of Building Regulations Approved Document J.

If installation is into an existing chimney then it must be sound and have no cracks or other faults which might allow fumes into the house. Older properties, especially, may have chimney faults or the cross section may be too large i.e. more than 230 mm x 230 mm. Should remedial action be required, expert advice should be sought. If it is found necessary to line the chimney then a flue liner suitable for solid fuel must be used in accordance with Building Regulations Approved Document J.

Any existing chimney must be clear of obstruction and have been swept clean immediately before installation of the stove. If the stove is fitted in place of an open fire then the chimney should be swept one month after installation to clear any soot falls which may have occurred due to the difference in combustion between the stove and the open fire.

If there is no existing chimney then any new system must be to the designation described above and in accordance with Building Regulations Approved Document J.

A single wall metal fluepipe is suitable for connecting the stove to the chimney but is not suitable for use as the complete chimney. The chimney and connecting fluepipe must have a minimum diameter of 125mm for Bewdley 3 & 5, 150mm for Bewdley 8, and its dimension should be not less than the size of the outlet socket of the stove.

Any bend in the chimney or connecting fluepipe should not exceed 45°, 90° bends should not be used.

Combustible material should not be located where the heat dissipating through the walls of fireplaces or flues could ignite it.

Therefore when installing the stove in the presence of combustible materials due account must be taken of the guidance on the separation of combustible material given in Building Regulations Approved Document J and also in these stove instructions. If it is found that there is excessive draught in the chimney then a draught stabilizer should be fitted. Fitting of a draught stabilizer will affect the requirement for the permanent air supply into the room in which the stove is fitted in accordance with Approved Document J (see also combustion air supply).

Adequate provision e.g. easily accessible soot door or doors must be provided for sweeping the chimney and connecting fluepipe where it is not intended for the chimney to be swept through the appliance.

This stove may be connected with a factory built or masonry chimney with a minimum diameter of 125mm Bewdley 3&5, and 150mm Bewdley 8. If you are using a factory built chimney, it must comply with BS EN 1856-1:2003 standard. It is very important that it is installed according to the manufacturer's specifications.

If you are using a masonry chimney, it is important that it be built in compliance with the specifications contained in Document J.

The interior diameter of the chimney flue must be identical to the stove smoke exhaust. A flue which is too small may cause draught problems, while a large flue promotes rapid cooling of the gas, and hence the build-up of creosote and the risk of chimney fires. Note that it is the chimney and not the stove which creates the draught effect; the stove's performance is directly dependent on an adequate draught from the chimney.

The following points are important for the installation of the chimney:

- It must rise above the roof at least 0.9m from the uppermost point of contact.
- The chimney must exceed any part of the building or other obstruction within a 3.04m distance by a height of 0.6m.

Installation of an interior chimney is always preferable to an exterior chimney. Indeed, the interior chimney will, by definition, be hotter than an exterior chimney, being heated up by the ambient air in the house. Therefore the gas which circulates will cool more slowly, thus reducing the build-up of creosote and the risk of chimney fires. The draught caused by the tendency for hot air to rise will be increased with an interior chimney.

Using a fire screen at the extremity of the chimney requires regular inspection in order to ensure that it is not obstructed thus blocking the draught, and it should be cleaned when used regularly. Exterior chimney should be double or triple wall.

## CONNECTION TO CHIMNEY

Stoves may have a choice of either a rear or top flue gas connector that allows connection to either a masonry chimney or a prefabricated factory-made insulated metal chimney in accordance with their instructions.

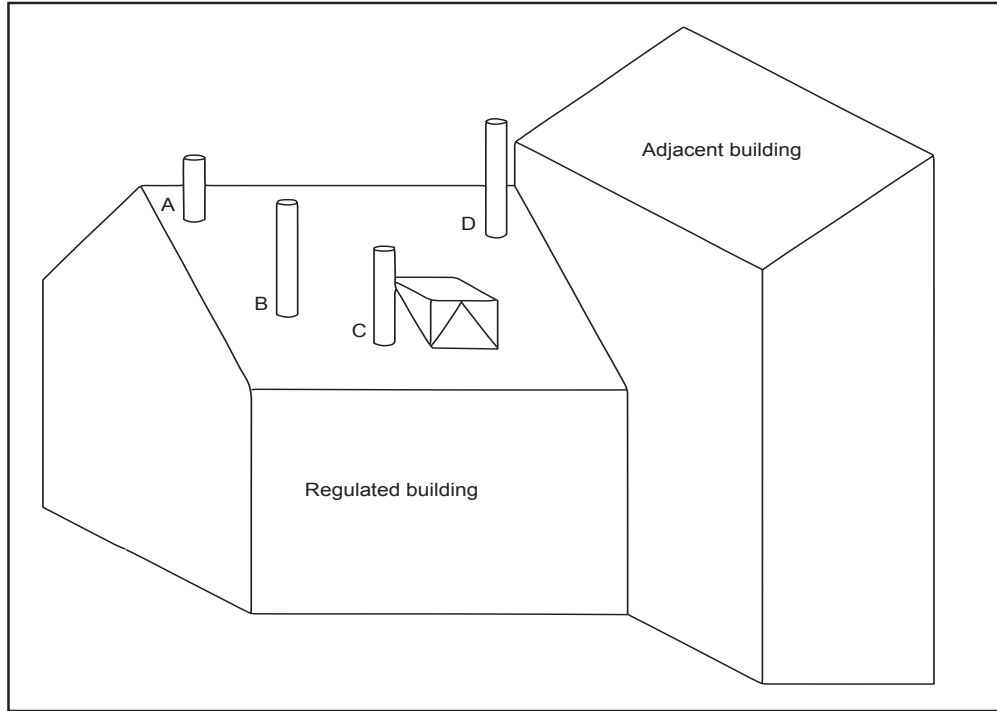
## HEATING IN-BETWEEN WINTER SEASONS

Heating the stove, when the outside temperatures are higher, the flue gases may not be able to escape completely and this may lead to disturbances in the chimney draught, especially if the temperatures are rising suddenly. The stove has to be charged with less wood and then primary air has to be increased so that the wood can burn down faster (with visible flames) and thus the chimney flue can stabilize.

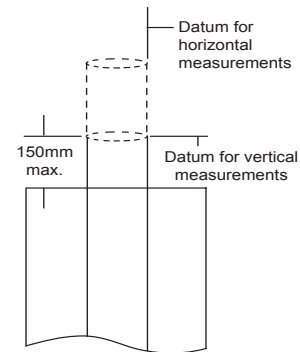
## REGULAR CLEANING

It is important that the appliance, flue gas connector and chimney are regularly cleaned and checked for any possible blockages prior to re-lighting after a prolonged shut down.

FLUE OUTLET POSITIONS FOR SOLID FUEL APPLIANCES



Point where flue passes through weather surface (Notes 1,2)		Clearances to flue outlet
A	At or within 600mm of the ridge	At least 600mm above the ridge
B	Elsewhere on a roof (whether pitched or flat)	At least 2300mm horizontally from the nearest point on the weather surface and: a) at least 1000mm above the highest point of intersection of the chimney and the weather surface; or b) at least as high as the ridge.
C	Below (on a pitched roof) or within 2300mm horizontally to an openable rooflight, dormer window or other opening (Note 3)	At least 1000mm above the top of the opening.
D	Within 2300mm of an adjoining or adjacent building, whether or not beyond the boundary (Note 3)	At least 600mm above any part of the adjacent building within 2300mm.
<p>Notes</p> <p>1) The weather surface is the building external surface, such as its roof, tiles or external walls.</p> <p>2) A flat roof has a pitch less than 10°.</p> <p>3) The clearances given for A or B, as appropriate, will also apply.</p> <p>4) A vertical flue fixed to an outside wall should be treated as equivalent to an inside flue emerging at the nearest edge of the roof.</p>		

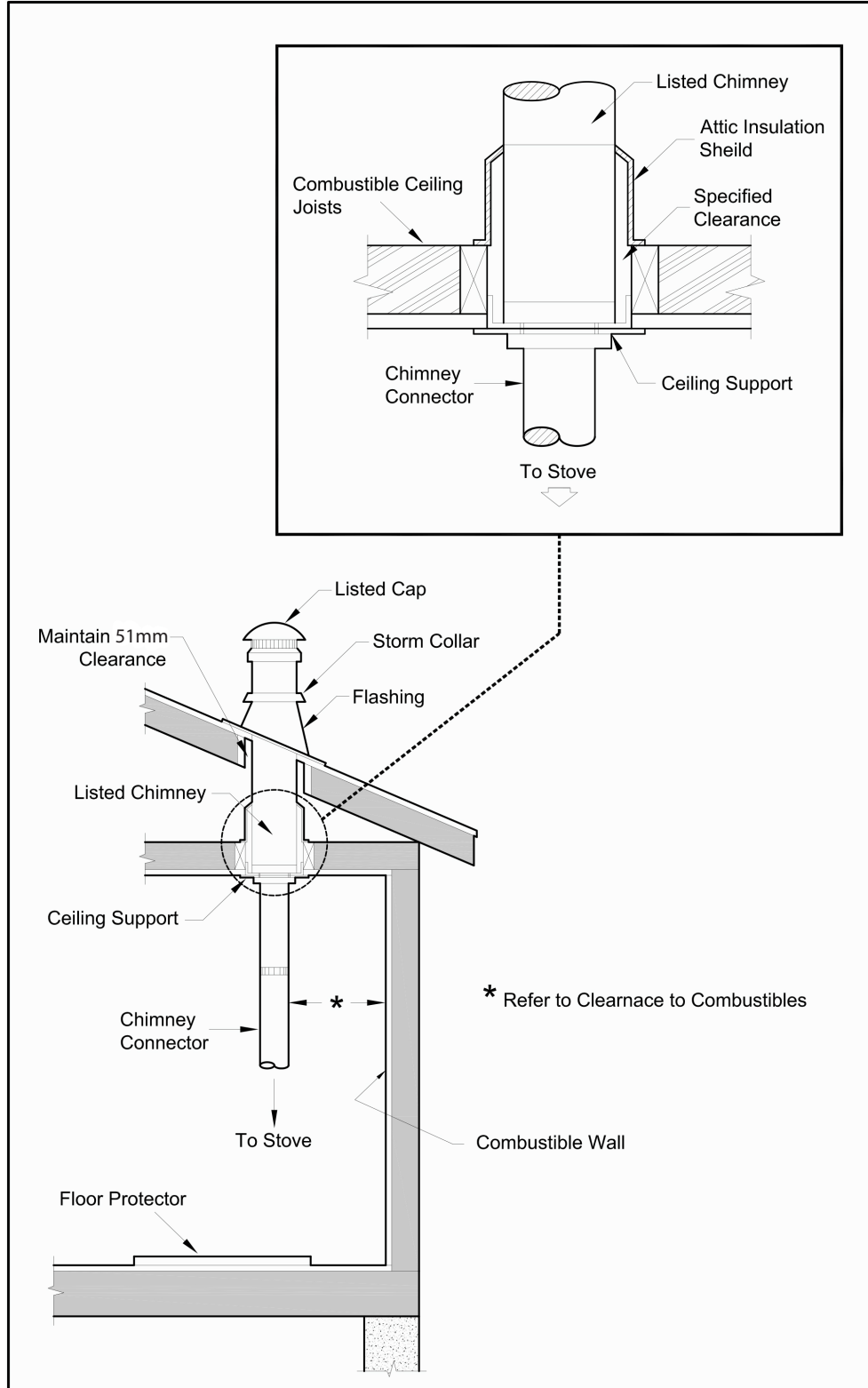


The datum for vertical measurements is the point of discharge of the flue, or 150mm above the insulation, whichever is the lower

**FACTORY BUILT CHIMNEY**

When a metal prefabricated chimney is used, the manufacturer's installation instructions must be followed. You must also purchase (from the same manufacturer) and install the ceiling support package or wall pass-through and "T" section package, firestops

(where needed), insulation shield, roof flashing, chimney cap, etc. Maintain proper clearance to the structure as recommended by the manufacturer. The chimney must be the required height above the roof or other obstructions for safety and proper draught operation.





Ways of meeting the requirements when proposing factory-made metal chimneys include:

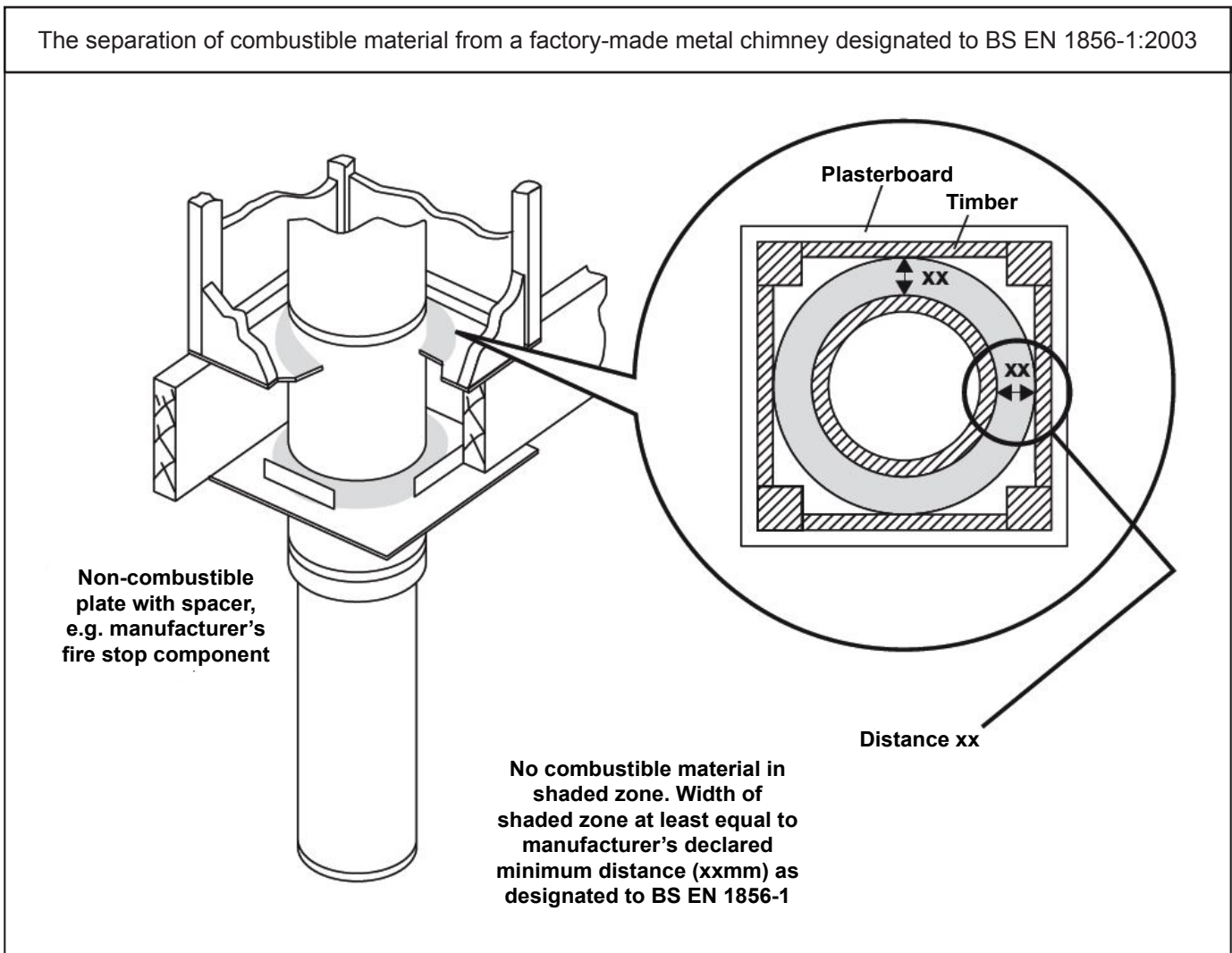
- Using component systems appropriately designated in accordance with BS EN 1856-1:2003 to suit the appliance and installing them in accordance with the relevant recommendations of BS EN 15287-1:2007

Where a factory-made metal chimney passes through a wall, sleeves should be provided to prevent damage to the flue or building through thermal expansion. To facilitate the checking of gas tightness, joints between chimney sections should not be concealed within ceiling joist spaces or within the thickness of walls without proper access being provided.

When providing a factory-made metal chimney, provision should be made to withdraw the appliance without the need to dismantle the chimney.

Factory-made metal chimneys should be kept a suitable distance away from combustible materials. Ways of meeting the requirements for chimneys designated to BS EN 1856-1:2003 comprise:

- Locating the chimney not less than distance 'xx' from combustible material, where 'xx' is defined in BS EN 1856-1:2003 as shown in the diagram below.
- Where a chimney passes through a cupboard, storage space or roof space, providing a guard placed no closer to the outer wall of the chimney than the distance noted above.



**USE OF FLEXIBLE METAL FLUE LINERS FOR THE RELINING OF CHIMNEY**

A way of relining an existing chimney would be to use a flexible metal flue liner, appropriately designated in accordance with

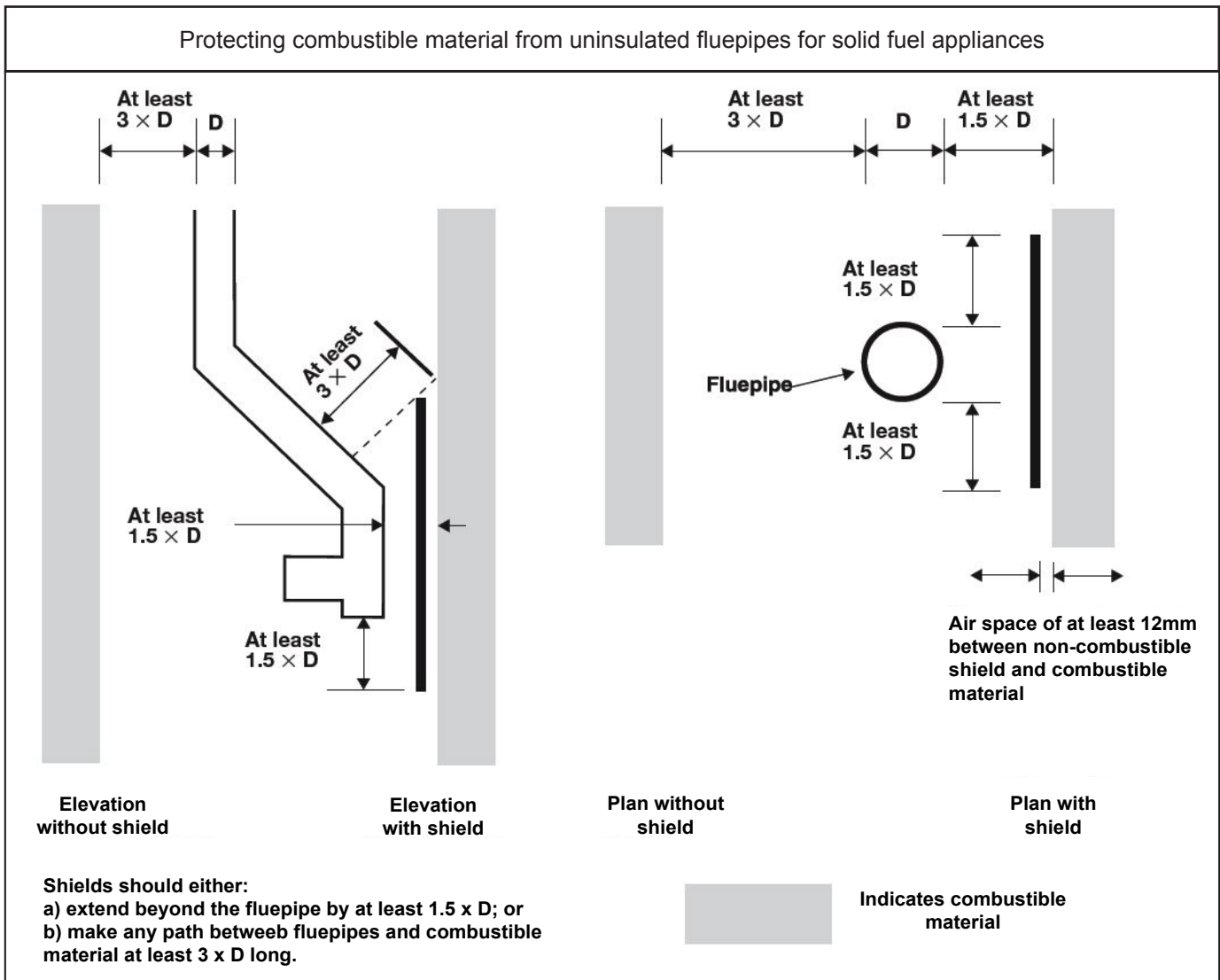
BS EN 1856-2:2004 to suit the appliance, fuel and flue gas characteristics. Flexible flue liners should only be used to reline an existing chimney and should not be used as the primary liner of a new chimney.

**LOCATION AND SHIELDING OF CONNECTING FLUEPIPES**

Connecting fluepipes should be used only to connect appliances to their chimneys. They must not pass through any roof space, partition, internal wall or floor, except to pass directly into a chimney through either a wall of the chimney or a floor supporting the chimney. Connecting fluepipes should also be guarded if they could be at risk of damage or if the burn hazard they present to people is not immediately apparent.

Connecting fluepipes should be located so as to avoid igniting combustible material. Ways of meeting the requirement include minimizing horizontal and sloping runs and:

- Following the guidance as noted above where the connecting fluepipe is a factory-made metal chimney is at least equal to designation BS EN 1856-1:2003 and installed to BS EN 15827-1; or
- Separation by shielding in accordance with the diagram below:



**AIR REQUIREMENTS AND ASSESSING AIR PERMEABILITY OF OLDER DWELLINGS IN RELATION TO PERMANENT VENTILATION REQUIREMENTS**

It is important to note for proper operation, this appliance requires room air to function efficiency. Therefore, a calculation of the air requirements should be performed before and after installation for proper and efficient operation of this product.

As a guide, this appliance requires  $3410\text{mm}^2$  of permanently open vent in a well-sealed house, but this reduces to  $660\text{mm}^2$  for a house with much higher air permeability. It is unlikely that a house built before 2008 will be well-sealed unless extensive measures have been taken to improve air tightness.

Older houses are unlikely to have been tested but are unlikely to achieve an air permeability of less than  $5.0 \text{ m}^3/(\text{h} \cdot \text{m}^2)$  at 50 Pa unless the building fabric has been substantially upgraded.

## COMMISSIONING AND HANDOVER

Ensure all parts are fitted in accordance with the instructions. On completion of the installation allow a suitable period of time for any fire cement and mortar to dry out, before lighting the stove. Once the stove is under fire check all seals for soundness and check that the flue is functioning correctly and that all products of combustion are vented safely to atmosphere via the chimney terminal.

On completion of the installation and commissioning ensure that the operating instructions for the stove are left with the customer. Ensure to advise the customer on the correct use of the appliance and warn them to use only the recommended fuel for the stove.

Advise the user what to do should smoke or fumes be emitted from the stove. The customer should be warned to use a fireguard to BS 8423:2002 (Replaces BS 6539) in the presence of children, aged and/or infirm persons.

These instructions together with those in the instruction booklet cover the basic principles to ensure the satisfactory installation of the stove, although detail may need slight modification to suit particular local site conditions.

In all cases the installation must comply with current Building Regulations, Local Authority Byelaws and other specifications or regulations as they affect the installation of the stove. It should be noted that the Building Regulations requirements may be met by adopting the relevant recommendations given in British Standards BS 8303, BS EN 15287-1:2007 as an alternative means to achieve an equivalent level of performance to that obtained following the guidance given in Approved Document J.

Please note that it is a legal requirement under England and Wales Building Regulations that the installation of the stove is either carried out under Local Authority Building Control approval or is installed by a Competent Person registered with a Government approved Competent Persons Scheme.

---

## GENERAL / USER INSTRUCTION

Before lighting the stove check with the installer that the installation work and commissioning checks described above have been carried out correctly and that the chimney has been swept clean, is sound and free from any obstructions. As part of the stoves' commissioning and handover the installer should have shown you how to operate the stove correctly.

### EXTRACTOR FAN

There must not be an extractor fan fitted in the same room as the stove as this can cause the stove to emit smoke and fumes into the room.

### AEROSOL SPRAYS

Do not use an aerosol spray on or near the stove when it is alight.

### USE OF OPERATING TOOLS

Always use the operating tools provided when handling parts likely to be hot when the stove is in use.

## CO ALARMS

Building regulations require that when ever a new or replacement fixed solid fuel or wood/ biomass appliance is installed in a dwelling a carbon monoxide alarm must be fitted in the same room as the appliance. Further guidance on the installation of the carbon monoxide alarm is available in BS EN 50292:2002 and from the alarm manufacturer's instructions. Provision of an alarm must not be considered a substitute for either installing the appliance correctly or ensuring regular servicing and maintenance of the appliance and chimney system.

Your installer should have fitted a CO alarm in the same room as the appliance.

## USE OF FIREGUARD

When using the stove in situations where children, aged and/or infirm persons are present a fireguard must be used to prevent accidental contact with the stove. The fireguard should be manufactured in accordance with BS 8423:2002 (Replaces BS 6539).

## HEALTH AND SAFETY PRECAUTIONS

Special care must be taken when installing the stove such that the requirements of the Health and Safety at Work Act are met.

## HANDLING

Adequate facilities must be available for loading, unloading and site handling.

## FIRE CEMENT

Some types of fire cement are caustic and should not be allowed to come into contact with the skin. In case of contact wash immediately with plenty of water.

## ASBESTOS

This stove contains no asbestos. If there is a possibility of disturbing any asbestos in the course of installation then please seek specialist guidance and use appropriate protective equipment.

---

## CHIMNEY FIRES

If the chimney is thoroughly and regularly swept, chimney fires should not occur. However, a chimney fire can occur, due to sooting and deposits of creosote in the chimney, if incorrect or wet wood is used. If a chimney fire does occur tightly close the doors and all the air inlets on the stove. This should cause the chimney fire to go out. If the chimney fire does not go out when the above action is taken then the fire brigade should be called immediately. Do not relight the stove until the chimney and flueways have been cleaned and inspected by an expert. The expert should check for the integrity of the chimney and carry out any remedial work before the chimney is put back into use.

## APPROVED FUELS

Dry well seasoned and natural wood, (hardwood preferred).



Read the instruction booklet and these supplementary instructions carefully before your first fire.

### MAXIMUM AMOUNT OF FUEL

Do not load fuel above the firebrick. Larger amounts of fuel can lead to over firing and therefore damaging the stove or causing damage to your home. Operation with the air controls or dampers open can cause excess smoke. The appliance must not be operated with air controls or dampers/door left open except as directed in the instructions.

Recommended log size:

Appliance	Wood Length
Bewdley 3	200mm
Bewdley 5	300mm
Bewdley 8	400mm

### MAKING A FIRE

For the correct and safe operation of your stove, attention must be paid to the chimney draught. This is particularly so before the initial operation (or after the summer season) and during the mid-season heating periods (when there may be strong winds or very cold outdoor temperatures). If there is not enough flue draught, please light some paper or small kindling first, in order to warm up the stove and chimney.

### CLEAN BURNING

The wood must be well-seasoned (moisture content <20%) and untreated and the right amount of wood must be burned in order to ensure a clean fire that releases only small amounts of emissions.

### THE FIRST FIRES

The fresh paint on your stove needs to be cured to preserve its quality which may produce some smell. Once the kindling is properly ignited, only burn small fires in your stove for the first four hours of operation. Never open the air control more than necessary to achieve a medium burn rate.

Make sure that there's enough air circulation while curing the stove. The odours that could be smelled will reduce after the first 3 or 4 fires.

### IGNITION

After making sure that the airwash, and primary air controls are fully open (fully slid to the right), place several rumped sheets of paper in the center of the combustion chamber. Place 8 to 10 pieces of small dry kindling wood over the paper in the form of a tent. You may also place a few pieces of heating wood, but choose the smaller ones. No chemical product should be used to light the fire.

Before igniting the paper and kindling wood, it is recommended that you warm up the chimney. This is done in order to avoid back-draught problems often due to negative pressure in the house. If such is the case, open a window slightly near the stove and twist together a few sheets of newspaper into a torch. Light up this paper torch and hold it as close as possible to the mouth of the pipe inside the combustion chamber to warm up the chimney. Once the updraught movement is initiated, you are ready to ignite the stove by lighting the paper and kindling wood inside the combustion chamber. Warm up the glass by leaving the door slightly open while the fire grows, this will help avoid build up of condensation. Do not run this stove with the door open other than the initial lighting. Doing so may cause over-firing and damage the stove. Slowly add larger pieces of wood. Do not use full sized logs at this time or you may smother the fire. Close door.



#### WARNING:

Properly installed, operated and maintained this stove will not emit fumes into the dwelling. Occasional fumes from de-ashing and re-fuelling may occur. However, persistent fume emission is potentially dangerous and must not be tolerated. If fume emission does persist, then the following immediate action should be taken:

1. Open doors and windows to ventilate the room and then leave the premises.
2. Let the fire go out.
3. Check for flue or chimney blockage and clean if required
4. Do not attempt to relight the fire until the cause of the fume emission has been identified and corrected. If necessary seek expert advice.

The most common cause of fume emission is flueway or chimney blockage. For your own safety these must be kept clean at all times.

The secondary air slide is located above the viewing glass. (The lower air slide below the glass is primary and is only used for start up air and should not be left open for more than 5 minutes after starting your fire.) Sliding secondary air slide to the far right position is fully open position. Your stove is tested for use in smoke controlled areas if operated in accordance with the instructions below.

Burn Rate	Adjust secondary air slide from full high position		
Low	Fully slid to the left hand stop		
Medium	Bewdley 3	Bewdley 5	Bewdley 8
	16mm from fully open position	15mm from fully open position	30mm from fully open position
High	Fully slid to the right		



**WARNING:** Never alter the damper slide or the adjustment range to increase firing for any reason. Doing so could result in stove damage and will void your warranty.

**HEATING**

Controlled combustion is the most efficient technique for wood heating because it enables you to select the type of combustion you want for each given situation. The wood will burn slowly if the wood stove air intake control is adjusted to reduce the oxygen supply in the combustion chamber to a minimum. On the other hand, wood will burn quickly if the air control is adjusted to admit a larger quantity of oxygen in the combustion chamber. When the stove is operating at the desired temperature close the primary air control and use the airwash to control the burn rate. Refer to the primary air settings table for damper operation setting. Real operating conditions may give very different results than those obtained during testing according to the species of wood used, its moisture content, the size and density of the pieces, the length of the chimney, altitude and outside temperature.

**RELOADING**



**WARNING:**

- Never over fire your stove. If any part of the stove starts to glow red, over firing is happening. Readjust the air intake control at a lower setting.
- The installation of a log cradle or grates is not recommended in your wood stove. Never put wood above the firebrick lining of the firebox.

Once you have obtained a good bed of embers, you should reload the unit. In order to do so, open the air controls to maximum a few seconds prior to opening the stove's door. Then proceed by opening the door very slowly; open it one or two inches for 5 to 10 seconds, before opening it completely to increase the draught and thus eliminate the smoke which is stagnant in a state of slow combustion in the stove. Then bring the red embers to the front of the stove and reload the unit.

For optimal operation of your wood stove, we recommend you to operate it with a wood load approximately equivalent to the height of fire bricks. Do not stack wood higher than the firebrick. It is important to note that wood combustion consumes ambient oxygen in the room.

**CREOSOTE - FORMATION AND NEED FOR REMOVAL**

When wood is burned slowly, it produces tar and other organic vapors, which combine with expelled moisture to form creosote. The creosote vapours condense in the relatively cool chimney flue of a slow-burning fire. As a result, creosote residue accumulates on the flue lining. When ignited this creosote makes an extremely hot fire. The chimney connector and chimney should be inspected at least once every two months during the heating season to determine if a creosote build-up has occurred. If creosote has accumulated (3mm or more), it should be removed to reduce the risk of a chimney fire.

We strongly recommend that you install a magnetic thermometer on your smoke exhaust pipe, approximately 457mm above the stove. This thermometer will indicate the temperature of your gas exhaust fumes within the smoke exhaust system. The ideal temperature for these gases is somewhere between 123°C and 270°C. Below these temperatures, the build-up of creosote is promoted. Above 300°C, heat is wasted since a too large quantity is lost into the atmosphere.

**REFUELING**

If there is insufficient burning material in the fire bed to light a new wood log, excessive smoke emission can occur. Refueling must be carried out onto a sufficient quality of glowing embers and ash approximately 25 mm deep. Evenly distribute the embers over the firebed and open the airwash control fully. The new fuel charge will ignite in a reasonable period of time. If there are too few embers in the fire bed, add suitable kindling to prevent excessive smoke. Do not let the fire diminish too far before refueling. Open the door and add fuel (taking care not to overfill). Close the door but leave the primary and secondary air supply fully open for a few minutes until a bright fire is achieved. The primary air should be closed and the secondary air adjusted as necessary. You will find that a wood log of approximately 2.5kg will produce a clean burning fire for about 1 hour .

	Bewdley3	Bewdley5	Bewdley 8
Approximate size of wooden log	0.9kg	1.1kg	2.5kg
Approximate clean burn time	45 min.	50 min.	1 hour





**WARNING:** Ashes could contain hot embers even after two days without operating the stove.

### ASH DISPOSAL

Ashes should be removed from the stove every few days or accumulation of ash can occur which will obstruct airflow through the burning wood. If ashes obstruct the airflow, poor burning of the wood is likely. Always empty the stove when it is cold, such as in the morning. Ashes should be placed in a metal container with a tight fitting lid. The closed container of ashes should be placed on a non combustible floor or on the ground, well away from all combustible materials, pending final disposal. If the ashes are disposed of by burial in soil or otherwise locally dispersed, they should be retained in the close container until all cinders have thoroughly cooled. Other waste should not be placed in this container.

Your wood stove is a high efficiency stove and therefore requires little maintenance. It is important to perform a visual inspection of the stove every time it is emptied, in order to ensure that no parts have been damaged, in which case repairs must be performed immediately. Inspect and clean the chimney and connector pipe periodically for creosote buildup or obstructions.

### WOOD UTILISATION

Your heating unit was designed to burn wood only; no other materials should be burned. Waste and other flammable materials should not be burned in your stove. Any type of wood may be used in your stove, but specific varieties have better energy yields than others. This stove was tested using dry beech or birch wood, so only use dry-seasoned wood (preferably hardwood) with a moisture content of less than 20%.

It is **EXTREMELY IMPORTANT** that you use **DRY SEASONED WOOD** only in your wood stove. The wood should have dried for 9 to 15 months, such that the humidity content (in weight) is reduced below 20% of the weight of the log. It is very important to keep in mind that even if the wood has been cut for one, two or even more years, it is not necessarily dry, if it has been stored in poor conditions. Under extreme conditions it may rot, instead of drying. This point cannot be over-stressed; the vast majority of the problems related to the operation of a wood stove is caused by the fact that the wood used was too damp or has dried in poor conditions. These problems can be:

- ignition problems
- creosote build-up causing chimney fires
- low energy yield
- blackened windows
- incomplete log combustion

Smaller pieces of wood will dry faster. All logs exceeding 152mm in diameter should be split. The wood should not be stored directly on the ground. Air should circulate through the cord. A 610mm to 1219mm air space should be left between each row of logs, which should be placed in the sunniest location possible. The upper layer of wood should be protected from the elements but not the sides.

### TESTING YOUR WOOD

When the stove is thoroughly warmed, place one piece of split wood (about five inches in diameter) parallel to the door on the bed of red embers.

Keep the air control full open by pulling on it and close the door. If ignition of the piece is accomplished within 90 seconds from the time it was placed in the stove, your wood is correctly dried. If ignition takes longer, your wood is damp.

If your wood hisses and water or vapour escapes at the ends of the piece, your wood is soaked or freshly cut. Do not use this wood in your stove. Large amounts of creosote could be deposited in your chimney, creating potential conditions for a chimney fire.



### SAFETY NOTICE

If this stove is not properly installed, a house fire may result. To reduce the risk of fire, follow the installation instructions.

Consult the municipal building control department or fire officials about permits, restrictions and installations requirements in the area.

Use carbon monoxide detectors in the room where the stove is installed.

Keep furniture and curtains well away from the stove.

Never use petrol, petrol-type lantern fuel, kerosene, charcoal lighter fluid, or similar liquids to start or "freshen up" a fire in this stove. Keep all such liquids well away from the stove while it is in use.

In the event of a chimney fire, push the air control full closed to deprive the fire of oxygen. Call the fire brigade.

Do not connect to any air distribution duct or system.

A source of fresh air into the room or space heated shall be provided

Only operate the stove with the door closed. Operating with the door open could cause over firing.

## CHIMNEY CLEANING

The chimney should be swept at least twice a year. It is important that the flue connection and chimney are swept prior to lighting up after a prolonged shutdown period. If the stove is fitted in place of an open fire then the chimney will require sweeping after a month of continuous operation. This is a precaution to ensure that any "softer" deposits left from the open fire usage have not been loosened by the higher flue temperatures generated by the closed stove. In situations where it is not possible to sweep through the stove the installer will have provided alternative means, such as a soot door. After sweeping the chimney the stove flue outlet and the flue pipe connecting the stove to the chimney must be cleaned with a flue brush.

## PERIODS OF PROLONGED NON-USE

If the stove is to be left unused for a prolonged period of time then it should be given a thorough clean to remove ash and unburned fuel residues. To enable a good flow of air through the appliance to reduce condensation and subsequent damage, leave the air controls fully open.

## GLASS

- Inspect and clean the glass regularly in order to detect any cracks. If you spot one, turn the stove off immediately.
- Do not abuse the glass door by striking or slamming shut.
- Do not use the stove if the glass is broken.
- If the glass on your stove breaks, replace only with the glass supplied from your stove dealer. Never substitute other materials for the glass.
- Never wash the glass with a product that may scratch. Use a specialized product, available in the stores where wood stoves are sold. The glass should be washed only when cold. Do not clean hot glass.

To replace damaged door glass follow these steps:

- ▶ Open door and lift free of hinge blocks.
- ▶ Position the door face down on a soft flat surface so as to protect the paint work and glass.
- ▶ Take off the glass clamp and eight (8) screws and washers.
- ▶ Remove glass and dispose of properly.
- ▶ When replacing the glass, you should change the glass gasket to make sure you keep it sealed.
- ▶ To help with future removal of screws before reinstalling the glass clean the screws with light oil and coat with a high temperature anti-seize grease.
- ▶ Fit the new glass sealing rope onto the glass clamp.
- ▶ Carefully wrap glass sealing rope around the sides and bottom edges of the glass.
- ▶ Attach the glass sealing rope to the top and side edges of the glass.
- ▶ Position the glass clamp into position and reinsert the previously removed screws. Evenly tighten the screws until the glass is held securely. Do not overtighten.

## GASKETING

It is recommended that you change the door gasket (which makes your stove door air tight) once a year, in order to ensure good control over the combustion, maximum efficiency and security. To change the door gasket, simply remove the old one. Carefully clean the available gasket groove, apply a high temperature silicone sold for this purpose, available from your installer or the manufacturer, and install the new gasket. You may light up your stove again approximately 24 hours after having completed this operation.



**WARNING:** Never operate the stove without a gasket or with a broken one. Damage to the stove or even house fire may result.

## PAINT

Only clean your stove with a dry soft cloth that will not harm the paint finish. If the paint becomes scratched or damaged, it is possible to give your wood stove a brand new look, by repainting it with a 649° C heat resistant paint, available from your installer or the manufacturer. For this purpose, simply scrub the surface to be repainted with fine wet/dry emery paper, clean it properly, and apply thin coats (2) of paint successively.

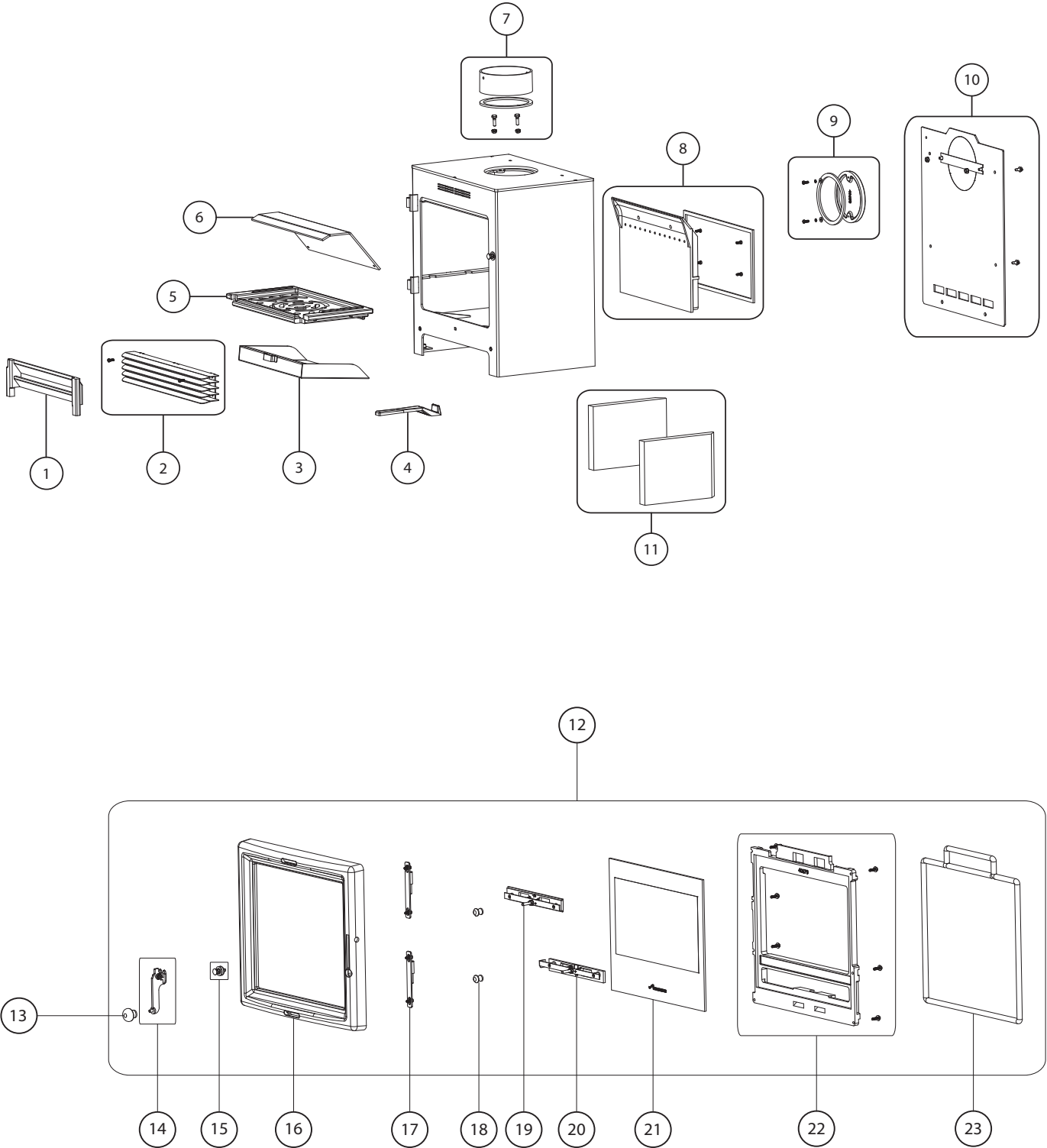


**WARNING:** Make sure the stove is fully cooled before attempting to remove any part of the stove.

## REMOVING LOG GUARD

Lift the log guard away from the supporting brackets and rotate to clear the sides of the door opening.

BEWDLEY 3





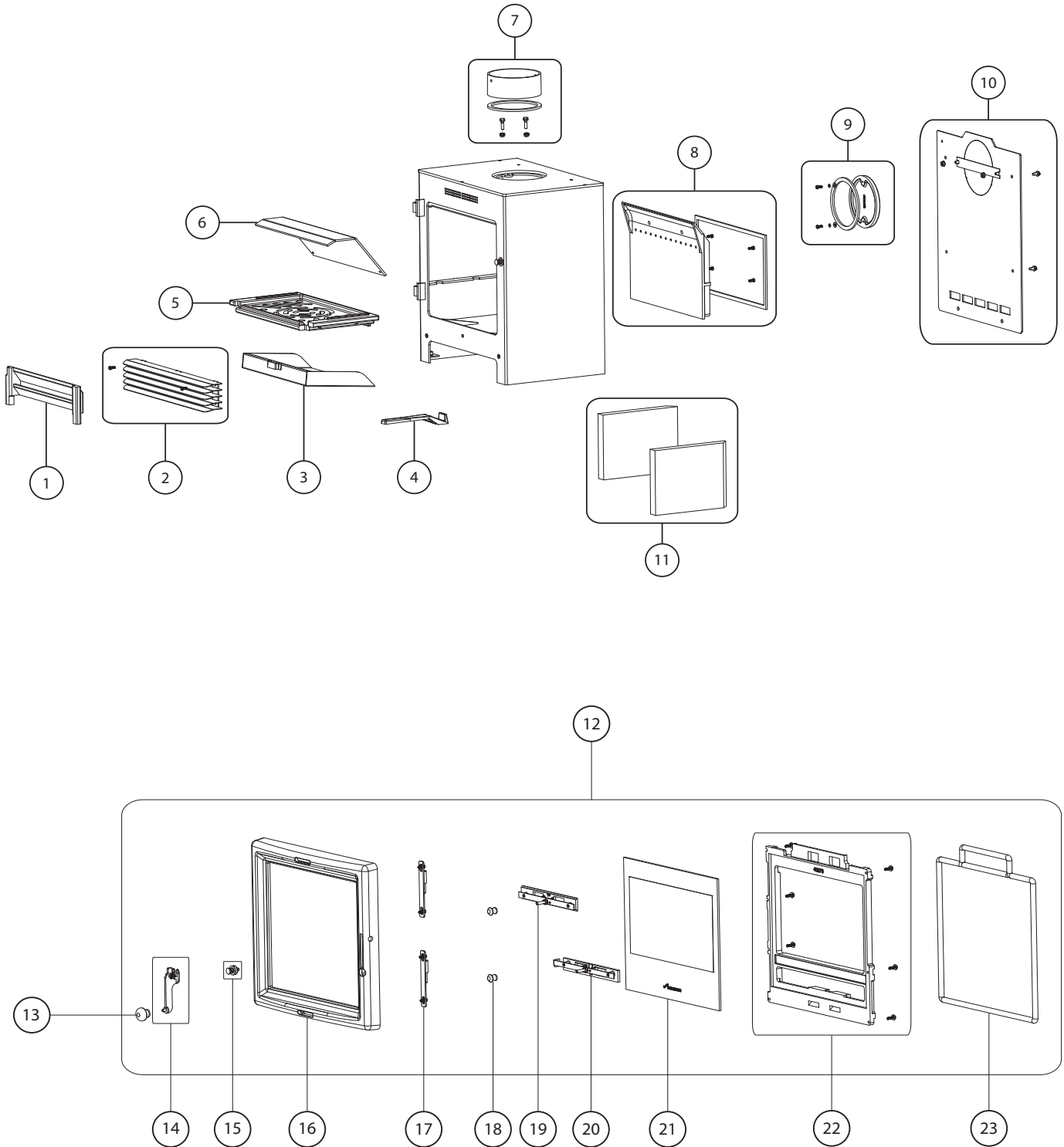
Bewdley 3 Greenstyle Bewdley Wood Stove			
7-733-600-202			
Key	Part No.	Description	Qty.
1	8-716-118-224	Log Guard, 4kW	1
2	8-716-118-225	Louver Weldment, 4kW	1
3	8-716-118-226	Ash Pan, 4kW	1
4	8-716-118-297	Tool, Ash Pan	1
5	8-716-118-227	Wood Grate, 4kW	1
6	8-716-118-228	Baffle, 4kW	1
7	8-716-118-220	127mm Flue Collar Assembly Kit	1
8	8-716-118-221	Clean Burn Air Duct, 4kW Kit	1
9	8-716-118-222	127mm Flue Blank Kit	1
10	8-716-118-230	Weldment, Heat Shield, 4kW	1
11	8-716-118-229	Vermiculite Side Panel, 4kW/5kW	2
12	8-716-118-223	Door Assembly, 4kW	1
13	8-716-118-302	Door Handle Knob Kit	1
14	8-716-118-232	Handle Weldment	1
15	8-716-118-231	Door Catch Assembly	1
16	8-716-118-233	Cast Door 4kW	1
17	8-716-118-234	Door Hinge	2
18	8-716-118-235	Small Knob	1
19	8-716-118-236	Primary Air Control Slider	1
20	8-716-118-237	Secondary Control Slider	1
21	8-716-118-238	Door Glass w/Gasket, 4kW	1
22	8-716-118-239	Glass Clamp	1
23	8-716-118-240	Door Rope Seal, 4kW	4.8ft

Items Not Shown			
*	8-716-118-270	Literature Bewdley Range	1
*	8-716-118-271	Paint Black	1
*	8-716-118-359	Fasteners Pack	1



In order to maintain warranty, components must be replaced using original manufacturer's parts purchased through your dealer or directly from the appliance manufacturer. Use of third party components will void the warranty.

BEWDLEY 5



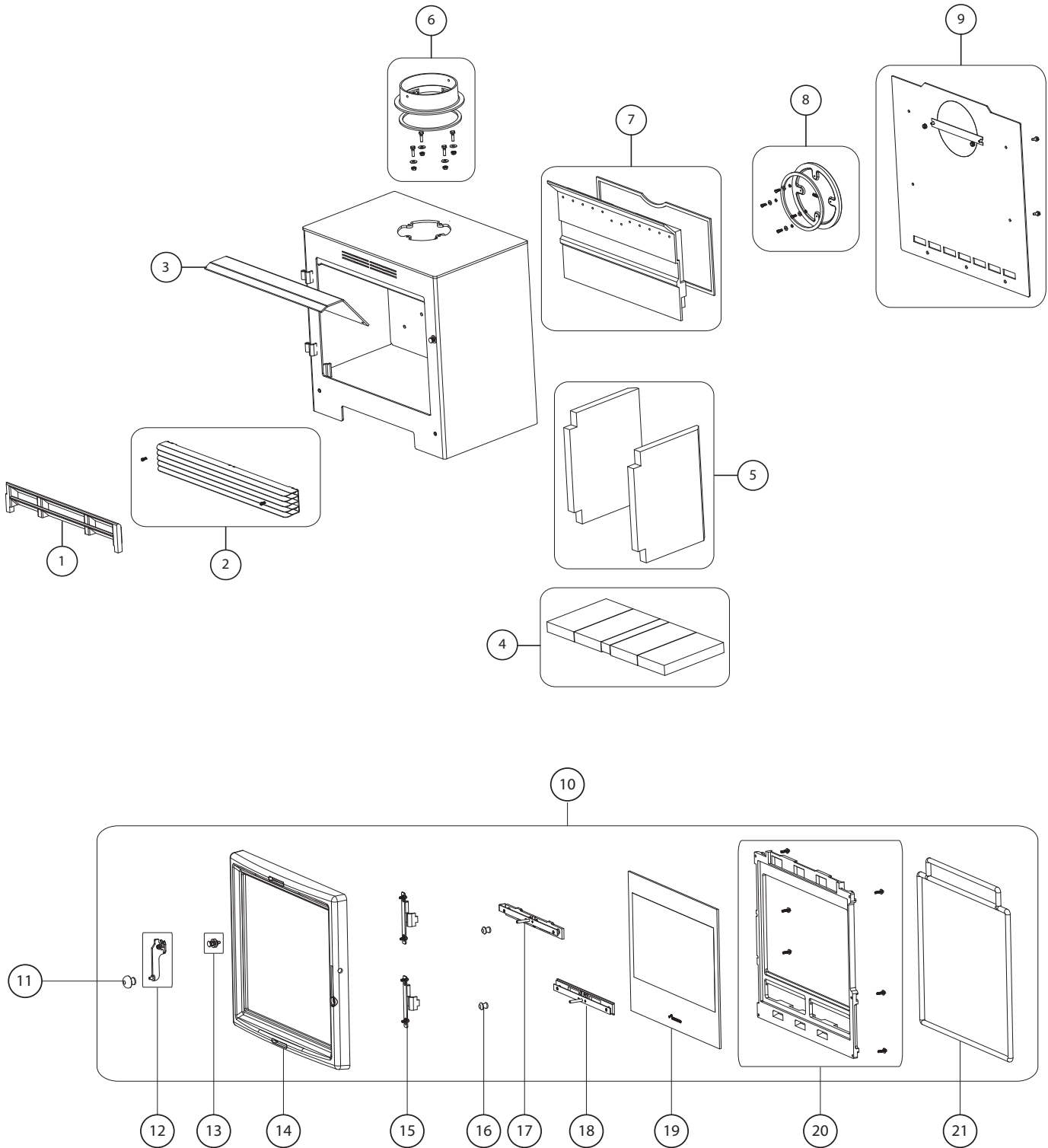
Bewdley 5 Greenstyle Bewdley Wood Stove 7-733-600-203			
Key	Part No	Description	Qty.
1	8-716-118-243	Log Guard, 5kW	1
2	8-716-118-244	Louver Weldment, 5kW	1
3	8-716-118-245	Ash Pan, 5kW	1
4	8-716-118-297	Tool, Ash Pan	1
5	8-716-118-246	Wood Grate, 5kW	1
6	8-716-118-247	Baffle, 5kW	1
7	8-716-118-220	127mm Flue Collar Assembly Kit	1
8	8-716-118-241	Clean Burn Air Duct, 5kW Kit	1
9	8-716-118-222	127mm Flue Blank Kit	1
10	8-716-118-248	Weldment, Heat Shield, 5kW	1
11	8-716-118-229	Vermiculite Side Panel, 4kW/5kW	1
12	8-716-118-242	Door Assembly, 5kW	1
13	8-716-118-302	Door Handle Knob Kit	1
14	8-716-118-232	Handle Weldment	1
15	8-716-118-231	Door Catch Assy	1
16	8-716-118-249	Cast Door, 5kW	1
17	8-716-118-234	Door Hinge	2
18	8-716-118-235	Small Knob	1
19	8-716-118-236	Primary Air Control Slider	1
20	8-716-118-250	Secondary Control Slider	1
21	8-716-118-251	Door Glass w/Gasket, 5kW	1
22	8-716-118-252	Glass Clamp	1
23	8-716-118-253	Door Rope Seal, 5kW	5.4ft

Items Not Shown			
*	8-716-118-270	Literature Bewdley Range	1
*	8-716-118-271	Paint Black	1
*	8-716-118-359	Fasteners Pack	1



In order to maintain warranty, components must be replaced using original manufacturer's parts purchased through your dealer or directly from the appliance manufacturer. Use of third party components will void the warranty.

BEWDLEY 8



Bewdley 8 Greenstyle Bewdley Wood Stove			
7-733-600-204			
Key	Part No	Description	Qty.
1	8-716-118-254	153mm Flue Collar Assembly Kit	1
2	8-716-118-255	Clean Burn Air Duct, 8kW Kit	1
3	8-716-118-256	153mm Flue Blank Kit	1
4	8-716-118-257	Door Assembly, 8kW	1
5	8-716-118-258	Log Guard, 8kW	1
6	8-716-118-259	Louver Weldment, 8kW	1
7	8-716-118-260	Brick Kit	1
8	8-716-118-261	Baffle, 8kW	1
9	8-716-118-262	Vermiculite Side Panel, 8kW	2
10	8-716-118-263	Weldment, Heat Shield, 8kW	1
11	8-716-118-302	Door Handle Knob Kit	1
12	8-716-118-232	Handle Weldment	1
13	8-716-118-231	Door Catch Assy	1
14	8-716-118-264	Cast Door, 8kW	1
15	8-716-118-234	Door Hinge	2
16	8-716-118-235	Small Knob	1
17	8-716-118-265	Primary Air Control Slider, 8kW	1
18	8-716-118-266	Secondary Control Slider, 8kW	1
19	8-716-118-267	Door Glass w/Gasket, 8kW	1
20	8-716-118-268	Glass Clamp, 8kW	1
21	8-716-118-269	Door Rope Seal, 8kW	7.2ft

Items Not Shown			
*	8-716-118-270	Literature Bewdley Range	1
*	8-716-118-271	Paint Black	1
*	8-716-118-359	Fasteners Pack	1



In order to maintain warranty, components must be replaced using original manufacturer's parts purchased through your dealer or directly from the appliance manufacturer. Use of third party components will void the warranty.

**Commissioning Checklist**

This Commissioning Checklist is to be completed in full by the competent person who commissioned the stove as a means of demonstrating compliance with the appropriate Building Regulations and then handed to the customer to keep for future reference.

Failure to install and commission according to the manufacturer’s instructions and complete the Commissioning Checklist will invalidate the warranty. This does not affect the customer’s statutory rights.

**Please Print**

Customer name:	Telephone number
Address:	
Model:	
Serial number	
Installing Company Name:	
Installing Engineer’s Name:	Registration No.

**Description of Work**

Location of installation of appliance: Dining Room  Bedroom  Lounge  Other: Specify \_\_\_\_\_

Chimney System: New Insulated Factory Made Chimney System Installed? Yes  No

Relining of Existing Chimney: Twin Wall Flexible Liner (for Class 1 Appliance)  Cast in-situ Liner  Rigid Sectional Liner Metal

State Chimney Designation: \_\_\_\_\_

**Commissioning**

Confirm Hearth Installation Is Correct

Confirm proper placement of internal parts  Check soundness of door seal, castings and joints

Confirm clearances to combustibles as per installation instructions for this model

Check the operations of the air controls  Confirm all flue pipe connections are secure and sealed

Confirm the stove properly draught when fired

Check to insure a CO alarm is installed in the same room as the stove and is functional

Explain the safe operation, proper fuel usage, cleaning and routine maintenance requirements

**Testing & Commissioning to Approved Document J Appendix E**

Confirm you have commissioned and tested the appliance and associated work for safe and efficient operation

**Declaration of Completion:** As the competent person responsible for the work described above, I confirm that the appliance and associated work has been installed in accordance with and complies with Regulations 4 and 7 of the Building Regulations, and Approved Documents J,G & L as applicable.

Signed: \_\_\_\_\_ Print Name: \_\_\_\_\_ Date: \_\_\_\_\_

This form should be retained by the customer for future reference.

It is recommended that your heating system is serviced regularly and that the appropriate Service Interval Record is completed.

**Service Provider:**

Before completing the appropriate Service Record below, please ensure you have carried out the service as described in the manufacturer's instructions. Always use the manufacturer's specified spare part when replacement is necessary.

**Service 01** Date \_\_\_\_\_

Engineer Name: \_\_\_\_\_

Registration No. \_\_\_\_\_

Company \_\_\_\_\_

Telephone No. \_\_\_\_\_

Stove Inspected:  Chimney Swept:

Items Replaced: \_\_\_\_\_

**Service 02** Date \_\_\_\_\_

Engineer Name: \_\_\_\_\_

Registration No. \_\_\_\_\_

Company \_\_\_\_\_

Telephone No. \_\_\_\_\_

Stove Inspected:  Chimney Swept:

Items Replaced: \_\_\_\_\_

**Service 03** Date \_\_\_\_\_

Engineer Name: \_\_\_\_\_

Registration No. \_\_\_\_\_

Company \_\_\_\_\_

Telephone No. \_\_\_\_\_

Stove Inspected:  Chimney Swept:

Items Replaced: \_\_\_\_\_

**Service 04** Date \_\_\_\_\_

Engineer Name: \_\_\_\_\_

Registration No. \_\_\_\_\_

Company \_\_\_\_\_

Telephone No. \_\_\_\_\_

Stove Inspected:  Chimney Swept:

Items Replaced: \_\_\_\_\_

**Service 05** Date \_\_\_\_\_

Engineer Name: \_\_\_\_\_

Registration No. \_\_\_\_\_

Company \_\_\_\_\_

Telephone No. \_\_\_\_\_

Stove Inspected:  Chimney Swept:

Items Replaced: \_\_\_\_\_

**Service 06** Date \_\_\_\_\_

Engineer Name: \_\_\_\_\_

Registration No. \_\_\_\_\_

Company \_\_\_\_\_

Telephone No. \_\_\_\_\_

Stove Inspected:  Chimney Swept:

Items Replaced: \_\_\_\_\_

**Service 07** Date \_\_\_\_\_

Engineer Name: \_\_\_\_\_

Registration No. \_\_\_\_\_

Company \_\_\_\_\_

Telephone No. \_\_\_\_\_

Stove Inspected:  Chimney Swept:

Items Replaced: \_\_\_\_\_

**Service 08** Date \_\_\_\_\_

Engineer Name: \_\_\_\_\_

Registration No. \_\_\_\_\_

Company \_\_\_\_\_

Telephone No. \_\_\_\_\_

Stove Inspected:  Chimney Swept:

Items Replaced: \_\_\_\_\_

## CONTACT INFORMATION

### WORCESTER, BOSCH GROUP:

SUPPORT:	0330 123 2445
SPARES:	0330 123 9779
LITERATURE:	0330 123 9119
TRAINING:	0330 123 0166
SALES:	0330 123 9669

Worcester, Bosch Group  
Cotswold Way, Warndon, Worcester WR4 9SW.  
Worcester, Bosch Group is a brand name of Bosch Thermotechnology Ltd.  
[www.worcester-bosch.co.uk](http://www.worcester-bosch.co.uk)

6 720 818 040 A 05/2016

The logo for Worcester Bosch Group features a stylized, wavy graphic element on the left, followed by the word "WORCESTER" in a large, bold, sans-serif font, and "Bosch Group" in a smaller, bold, sans-serif font below it.

**WORCESTER**  
**Bosch Group**