

Reference: **TB 0202 (04/2026)**

Technical Bulletin

Product: HWDU-151 4,5kW 1N (7748000736)

Change of 3 way valve manufacturer

When replacement 3 way valves are required on a HWDU-151 4,5kW 1N (7748000736), we have to replace the existing valve with part number **8733701136** (compression) or **8733701138** (flat face with washer) depending on the variant used on the existing unit.

The new valves will be fitted in the orientation shown in figure 1:

A new wiring harness will be required for each valve. Part number: **87183103970**.

Note:

The previous wiring colours have changed, please see below.

Brown wire will now be black.

Black wire will now be brown.

Blue – Blue.

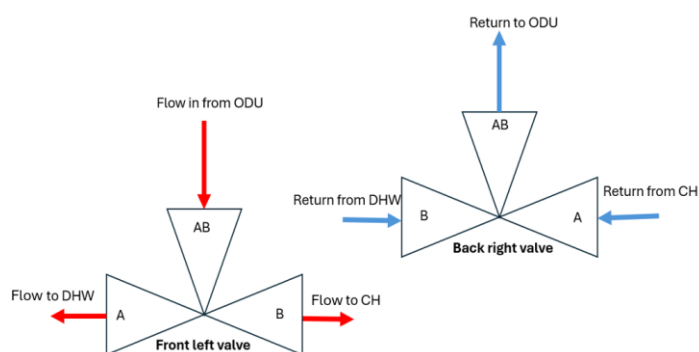


Fig 1.

Wire the cables as follows in figure 2:

IOB PCB on indoor unit

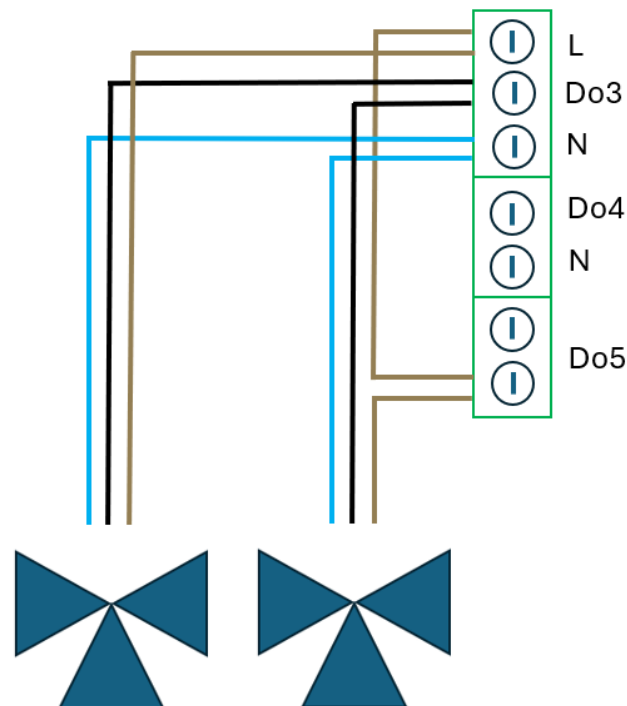


Fig 2.

Parts required when replacing the 3 way valves:

3 way valve - 8733701136 or 8733701138 x 1 or 2 as required

Cable harness - 87183103970 x 1 or 2 as required

Whilst it is always our intention to fully assist, it is essential to recognise that all information given by the company in response to an enquiry of any nature is provided in good faith and based upon the information provided with the enquiry. We recommend that advice should always be checked with your installer or contract partner. Consequently, the company cannot be held responsible for any liability relating to the use or repetition of such information or part thereof. In addition, whilst making every reasonable effort to monitor the performance and quality of our supply, installation and service network, we do not accept responsibility for the workmanship or operation of any third party company that the company may have promoted either in conversation, e-mail, or other communication. Similarly, the views and opinions expressed in communication with individuals within the company may not reflect that of the business as a whole.