

Technical Bulletin

Installation: Bosch CS2000AWF heat pump clearances update

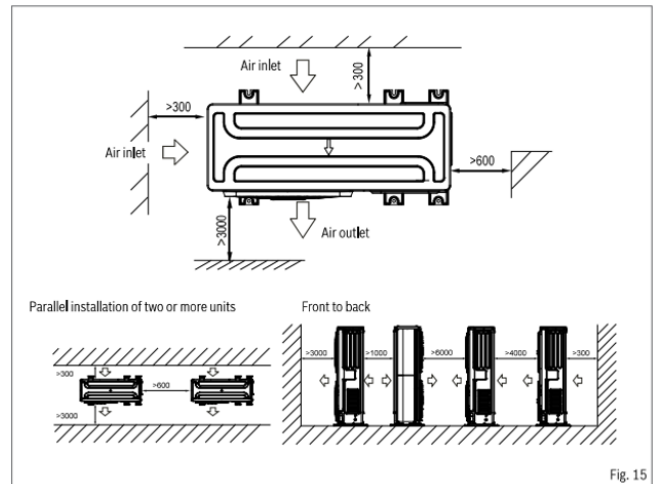
There have been some questions raised regarding the allowed clearances in front of the CS2000AWF heat pump unit. The installation manual states that there should be a minimum clearance of 3000mm to the front of the unit in all outputs (section 5.2: figure 15), but after consultation these clearances can be reduced to that shown below (section 5.3.1: figure 17).

Even though the diagram shows the unit front fascia facing a wall (for cases of high winds), these distances are still relevant when the unit is set normally with the rear of the unit set towards the wall. All side and rear clearances still must be adhered to during installation. Also, the clearances when cascading the units have been updated as shown below. The installation manual will be updated in due course.

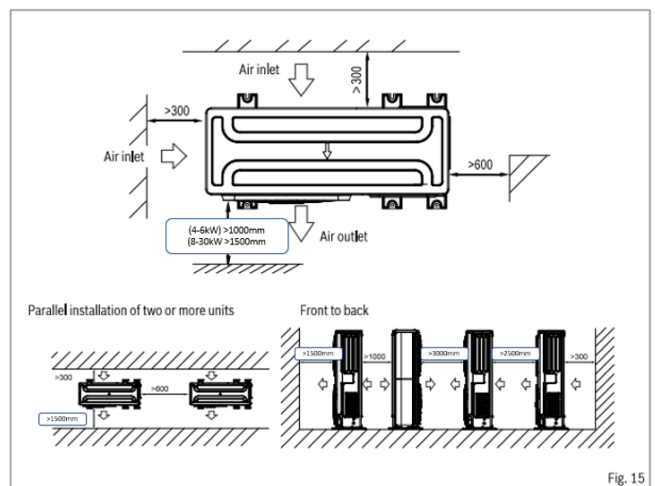
Overview

- CS2000AWF 4 to 6 kW:- (minimum clearance to the front) 3000mm to reduced to 1000mm
- CS2000AWF 8 to 16 kW:- (minimum clearance to the front) 3000mm to reduced to 1500mm
- CS2000AWF 18 to 30 kW:- (minimum clearance to the front) 3000mm to reduced to 1500mm

The current installation manual diagram stating 3000mm minimum clearance in section 5.2



Updated clearances for the CS2000AWF (this supersedes the information in the installation manual)



Whilst it is always our intention to fully assist, it is essential to recognise that all information given by the company in response to an enquiry of any nature is provided in good faith and based upon the information provided with the enquiry. We recommend that advice should always be checked with your installer or contract partner. Consequently, the company cannot be held responsible for any liability relating to the use or repetition of such information or part thereof. In addition, whilst making every reasonable effort to monitor the performance and quality of our supply, installation and service network, we do not accept responsibility for the workmanship or operation of any third party company that the company may have promoted either in conversation, e-mail, or other communication. Similarly, the views and opinions expressed in communication with individuals within the company may not reflect that of the business as a whole.

You can find this, and all issued technical bulletins on the Worcester website at: www.worcester-bosch.co.uk/tb
or www.worcester-bosch.ie/tb

The current installation manual diagram stating reduced clearances in figure 17 in section 5.3.1

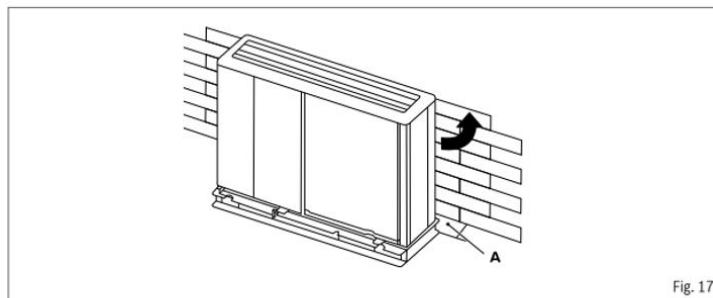


Fig. 17

Size	A(mm)
CS2000AWF 4 R-S - CS2000AWF 6 R-S	≥1000
CS2000AWF 8 R-S - CS2000AWF 16 R-S/CS2000AWF 16 R-T	≥1500
CS2000AWF 18 R-T - CS2000AWF 30 R-T	≥1500

The clearances shown will be updated in the forthcoming installation manual.

Whilst it is always our intention to fully assist, it is essential to recognise that all information given by the company in response to an enquiry of any nature is provided in good faith and based upon the information provided with the enquiry. We recommend that advice should always be checked with your installer or contract partner. Consequently, the company cannot be held responsible for any liability relating to the use or repetition of such information or part thereof. In addition, whilst making every reasonable effort to monitor the performance and quality of our supply, installation and service network, we do not accept responsibility for the workmanship or operation of any third party company that the company may have promoted either in conversation, e-mail, or other communication. Similarly, the views and opinions expressed in communication with individuals within the company may not reflect that of the business as a whole.

You can find this, and all issued technical bulletins on the Worcester website at: www.worcester-bosch.co.uk/tb
or www.worcester-bosch.ie/tb