

Technical Bulletin

Installation: Auto bypass requirements

DOMESTIC GAS APPLIANCES: PUMP OVER-RUN.

Although a modulating pump may satisfy requirements for building regulations and allow for an automatic bypass to be omitted from a heating system in some instances, any time a circulating pump is controlled by the boiler there must be a means of maintaining circulation during pump over-run at the end of a heat demand or during appliance over-heat conditions.

If circulation can be completely stopped by zone valves or thermostatic radiator valves and the boiler does not contain an internal bypass, then a properly adjusted automatic bypass must be installed across the flow and return pipes.

We are currently in the process of updating the guidance in our manuals to be more concise about when an auto bypass is recommended, and when one must be fitted.

- To comply with building regulations, **If the circulating pump speed is fixed (constant speed) and system circulation can be significantly reduced** by Thermostatic Radiator Valves (TRV's) or zone valves, an auto bypass must be installed and adjusted to provide constant pump head pressure to the heating circuits. This will help to maintain system efficiency, minimise water velocity noise and help ensure the quiet operation of valves.
- If the appliance does not contain an internal bypass, and flow to the heating circuits can be stopped completely** by zone valves or TRV's, an auto bypass must be installed and adjusted to open during pump over-run and overheat conditions and should provide a minimum 3 metre circuit when activated.
- If a constant pressure pump setting is selected, and circulation cannot be completely stopped** by zone valves or TRV's, an auto bypass will not be required. In this instance, a modulating pump will satisfy building regulations. Constant pump head pressure to the system will be maintained by the circulating pump.

Fig 1 (System and Combi boilers)

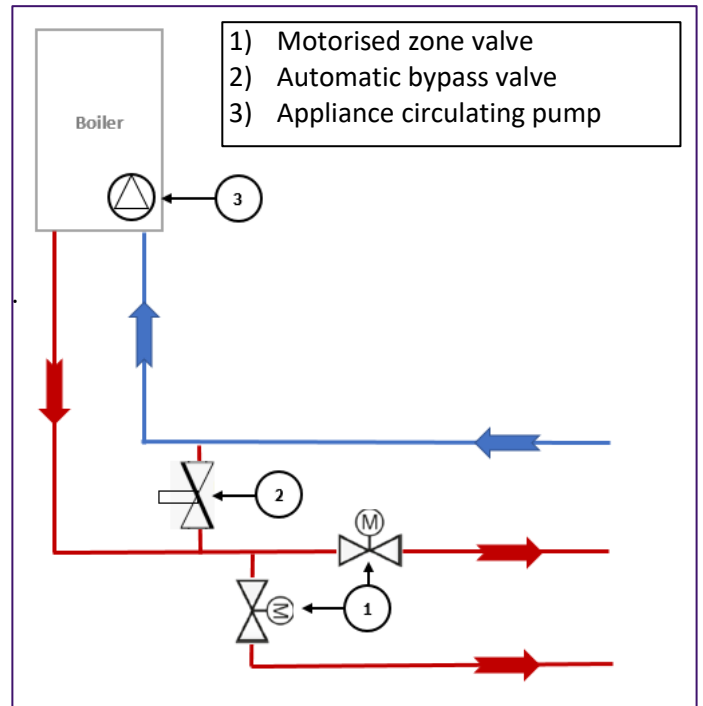
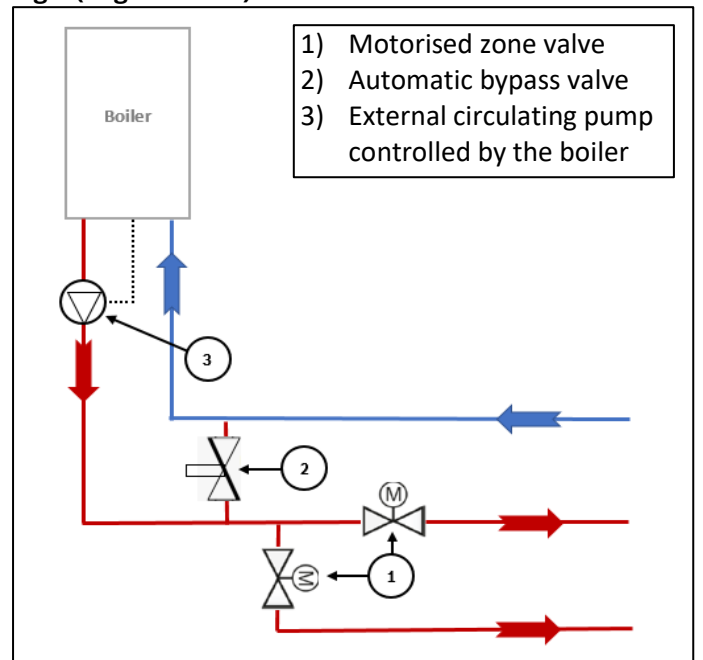


Fig 2 (Regular boiler)



Whilst it is always our intention to fully assist, it is essential to recognise that all information given by the company in response to an enquiry of any nature is provided in good faith and based upon the information provided with the enquiry. We recommend that advice should always be checked with your installer or contract partner. Consequently, the company cannot be held responsible for any liability relating to the use or repetition of such information or part thereof. In addition, whilst making every reasonable effort to monitor the performance and quality of our supply, installation and service network, we do not accept responsibility for the workmanship or operation of any third party company that the company may have promoted either in conversation, e-mail, or other communication. Similarly, the views and opinions expressed in communication with individuals within the company may not reflect that of the business as a whole.


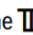
You can find this, and all issued technical bulletins on the Worcester website at: www.worcester-bosch.co.uk/tb
or www.worcester-bosch.ie/tb

On 4000 series appliances, it may be necessary to increase pump over-run time and speed to open an external bypass. The following instruction should be used as guidance.


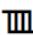
We plan to introduce an improvement which will remove the need for these menu settings to be altered.

Please refer to the installation and servicing manual for further guidance on navigating the appliance menus.

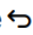
Opening the service menu

- ▶ Press the  key and the  key simultaneously until the service menu appears.

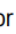

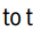
Closing the service menu

- ▶ Press the  key or the  key.


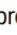
-or-

- ▶ Press the  key.

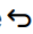
Navigating through the menu

- ▶ To highlight a menu or a menu item, press the  key or the  key.
- ▶ Press the **ok** key.
The menu or the menu item is displayed.
- ▶ To return to the next higher menu level, press the  key.

Changing the setting values

- ▶ Select the menu item with the **ok** key.
- ▶ To select the desired value, press the  or the  key.
- ▶ Press the **ok** key.
The new value is saved.

Exiting the menu item without saving values

- ▶ Press the  key.
The value is not saved.

- In the Hot Water menu, you must change CH delay from 0 to 1.

CH delay	• 0 ... 30 min	The heating mode is disabled for this period of time following DHW heating.
----------	----------------	---

- Adjust the pump range map to 0. (proportional)
- Adjust pump Min output to 60%.
- Adjust pump range map back to its original setting.

Pump		
Pump range map	• 0: Pump output proportional to the heat output • 1: constant pressure 150 mbar • 2: constant pressure 200 mbar • 3: constant pressure 250 mbar • 4: constant pressure 300 mbar • 5: constant pressure 350 mbar • 6: constant pressure 400 mbar	▶ In order to save energy and to keep potential flow noises to a minimum, set a low pump curve (→ Chapter 13.5, page 90).
Min. output	• 10 ... 30 %	Pump output at minimum heat output. Only available with pump map 0 (output-dependent control).
Max. output	• Min. output... 100%	Pump output at maximum heat output. Only available with pump characteristic map 0. • Can only be reduced to value set in Min. output.

Whilst it is always our intention to fully assist, it is essential to recognise that all information given by the company in response to an enquiry of any nature is provided in good faith and based upon the information provided with the enquiry. We recommend that advice should always be checked with your installer or contract partner. Consequently, the company cannot be held responsible for any liability relating to the use or repetition of such information or part thereof. In addition, whilst making every reasonable effort to monitor the performance and quality of our supply, installation and service network, we do not accept responsibility for the workmanship or operation of any third party company that the company may have promoted either in conversation, e-mail, or other communication. Similarly, the views and opinions expressed in communication with individuals within the company may not reflect that of the business as a whole.

You can find this, and all issued technical bulletins on the Worcester website at: www.worcester-bosch.co.uk/tb
or www.worcester-bosch.ie/tb