

# Technical Bulletin

## Installation: Greenstar Utility 2022+ 32/50 & 50/70 burner head settings

MISSING INFORMATION FROM THE INSTALLATION MANUALS:

Information regarding the adjustment of burner heads on the Greenstar Utility 32/50 & 50/70 2022+ has been missed during the printing of the above mentioned boiler installation, commissioning and servicing instruction manuals.

Fig 45 & 46 are missing from Pg 33.

These diagrams show where the adjustment marks are sited on each respective burner type and must be referred to as the method of adjustment is different to that on the smaller 12 – 32kW range of appliances.

This TB can be printed if required and the missing page added to manuals where the information has been omitted.

Whilst it is always our intention to fully assist, it is essential to recognise that all information given by the company in response to an enquiry of any nature is provided in good faith and based upon the information provided with the enquiry. We recommend that advice should always be checked with your installer or contract partner. Consequently, the company cannot be held responsible for any liability relating to the use or repetition of such information or part thereof. In addition, whilst making every reasonable effort to monitor the performance and quality of our supply, installation and service network, we do not accept responsibility for the workmanship or operation of any third party company that the company may have promoted either in conversation, e-mail, or other communication. Similarly, the views and opinions expressed in communication with individuals within the company may not reflect that of the business as a whole.

You can find this, and all issued technical bulletins on the Worcester website at: [www.worcester-bosch.co.uk/tb](http://www.worcester-bosch.co.uk/tb)  
or [www.worcester-bosch.ie/tb](http://www.worcester-bosch.ie/tb)

### 6.5.2 Electrode Settings

#### Riello RDB 3.2 BX (32/50)



The burner head is shown without the recirculation tube for clarity.

- ▶ Adjust the electrodes settings to the values below.

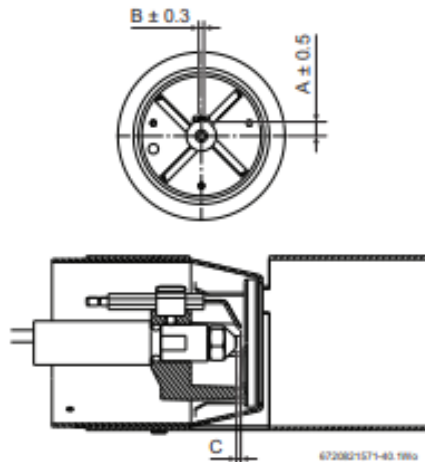


Fig. 43 RDB 3.2 BX electrode settings

A	B	C
4.6mm	3mm	2 - 2.5mm

Table 15 RDB 3.2 BX electrode settings

#### Riello RDB 3.2 BT (50/70)

To adjust the diffuser disc unit:

- ▶ Loosen the securing screw [1].
- ▶ Move the diffuser disc unit to setting dimension A.
- ▶ Tighten screw [1] to secure in place.

To adjust the electrodes unit:

- ▶ Loosen the securing screw [2].
- ▶ Move the electrodes unit to setting dimension B.
- ▶ Tighten screw [2] to secure in place.

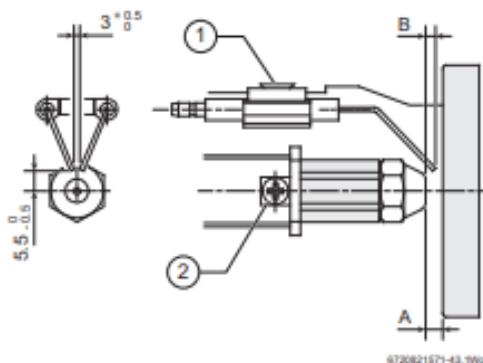


Fig. 44 RDB 3.2 BT electrode settings

A	B	
6.5	3.5	+ 0.7/-0.5
		± 0.5

Table 16 RDB 3.2 BT electrode settings

### 6.6 Burner adjustment

#### 6.6.1 Combustion head adjustment

##### Riello RDB 3.2 BX (32/50)

- ▶ Turn the adjustment screw [A] and set the combustion head to the correct output required, refer to table 13.
  - Distance between two notches equals three millimetres
  - e.g. to set 21mm at the combustion head turn the adjustment screw [A] until seven notches are visible from the zero notch
  - e.g. to set 17mm at the combustion head turn the adjustment screw until six notches are visible from the zero [0] notch and then back the adjustment screw off one turn (1mm) to achieve 17mm.
  - One complete rotation of the adjustment screw [A] equals one millimetre of movement at the combustion head
  - All distances are measured from the zero [0] notch to the adjustment assembly face [X]

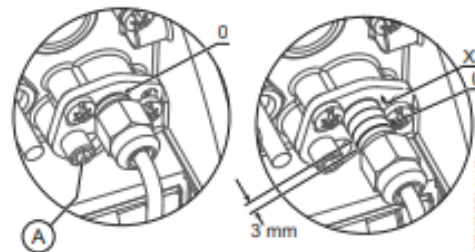


Fig. 45 RDB 3.2 BX combustion head adjustment

##### Riello RDB 3.2 BT (50/70)

- ▶ Loosen the two screws [1] in the ring slots.
- ▶ Turn the blast tube until the end of the slotted ring [2] lines up with the notch value [3] for the required output, refer to table 14.
- ▶ Tighten the two screws [1], once adjustments have been made.

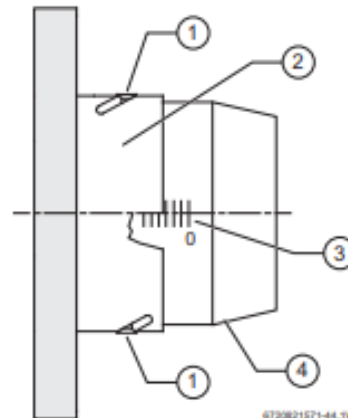


Fig. 46 RDB 3.2 BT combustion head adjustment

- [1] Screws
- [2] Slotted ring
- [3] Combustion head setting notch
- [4] Blast tube